

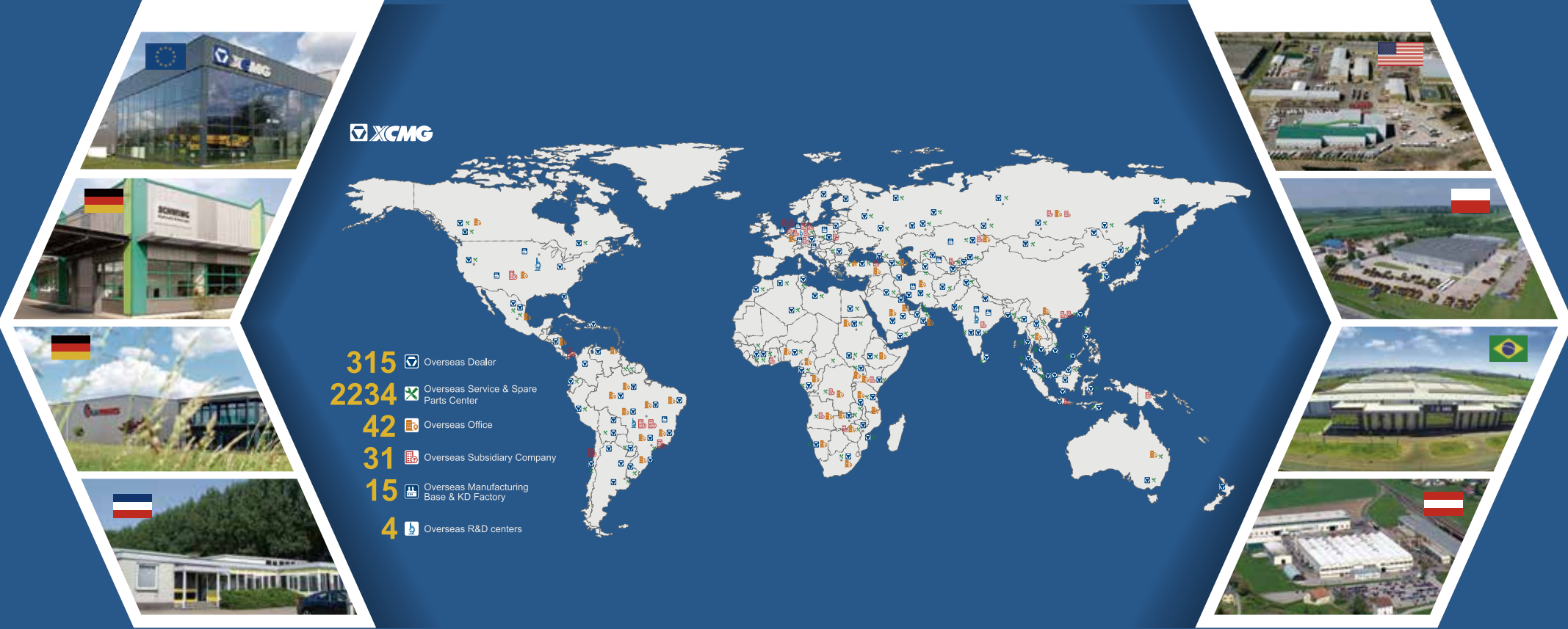
# WHEEL LOADER XC7-SV12



EU Stage V/EPA Tier IV

 **XCMG**  
XC7-SV12

XCMG North America Corporation  
5145 Schirlls St Las Vegas, NV 89118  
Email: [xcmgna@xcmg.com](mailto:xcmgna@xcmg.com)  
Phone: 725-605-2777  
Web: [www.xcmg-usa.com](http://www.xcmg-usa.com)



# INTRODUCTION OF XCMG

XCMG, as a leading enterprise valued of 100 billion RMB, with the largest scale, the best technology level, the largest export volume, and high competitiveness and influence in China's construction machinery industry, has been occupying the first place in China's construction machinery industry for decades, and it now ranks the third in the world industry and the 395th among the world's top 500 brands.

The main products by XCMG consists of 16 categories of equipment such as hoisting machinery, excavation machinery, concrete machinery, mining machinery, earth-moving machinery and road machinery, etc., as well as three categories of key components such as hydraulic system, transmission system and electric control system. Among above-mentioned, hoisting machinery ranks first in the world, and package solution of road construction and maintenance machinery, piling machinery and concrete machinery are among the first-class bloc in the world.

XCMG has accumulated more than 8000 approved patents, including more than 1900 invention patents and more than 130 PCT international patents. Entities of R&D centers, manufacturing plants or KD factories are in operation in more than 10 countries such as Germany, the United States, Brazil and India, XCMG has also acquired three European enterprises including Schwing in Germany. The Brazil manufacturing plant, with an investment of 350 million dollars to build up factories on a bare ground, has become a model of economic cooperation between China and Brazil. At present, XCMG products are exported to 187 countries and regions, covering 97% of the countries along "The Belt and Road" area. In export business to 35 countries, XCMG's proportion ranks NO. 1, with a steady first place within Chinese industry in terms of annual export volume and overseas income.



# OVERVIEW

## YANMAR ENGINE

The Yanmar engine provide a output 53.7kW/72hp With unmatched performance. The engine is EPA Tier 4 Final/EU Stage V certified.

## CAB

The machine is designed with ROPS/FOPS certified cab. Suspension seat provide greater comfort for the operator, Pilot lever is standard with ISO control mode.

## POWER TRAIN

The hydrostatic Transmission provides quick travel Response and aggressive drive. Two speed is standard With hydraulic released parking brakes

## Hydraulic System

Equipment with axial-piston hydrostatic pump minimizes Hydraulic loss for better fuel economy by delivering as much as flow as need. High flow and third function valve are standard for work tool attachments.

## VERSATILITY

The quick coupler and third function hydraulic are standard, can be easily and quickly switching between a range of attachments. Beside, the coupler is designed as ISO standard compatible with a wide range of attachments.



# Comfortable operation surrounding



## — All day long comfort

The spacious interior cab designed helps the operator comfortably and productively all the day. The suspension seat provides further comfortable and less fatigue environment. The pressurized cab provides cleaner and quieter working environment.

## — Four- season comfort

Air-conditioning is standard equipment on The SV12, the cab is designed with optimized Ducts and vents to maximize airflow. AD filter easily replaced.

## — Easy to operate

Joysticks ISO control pattern is standard, left side joystick controls travel and turn, right side controls boom and bucket; the control pattern is easy to operate for greater productivity.



## — High Resolution Machine Monitor

The color monitor can display working hour, temperature, fuel level, maintenance information and much other information.



# No Compromise On Safety

## — ROPS&FOPS Cab

ROPS (Rollover Protective System) and FOPS (Falling Object Protective Structure) are standard equipment to protect operator. The ROPS and FOPS cab is certified, satisfy with ISO standard.



## — Rearview camera

The standard rearview camera is available on the SV12 to see the jobsite behind the machine, keep Harms away. The rear camera integrate seamless Into display.



## — Interlock System

The front door of cab is the first interlock. Which prevents the boom lifting unless closed. The armrest is the second interlock starting Engine after down, help keep harm's way at Bay.

## Maintenance Make Easy



### Ground level access

Rear door and AC cooler core swing out easily, Hydraulic drive cooling system, radiator fixed up on the top provide excellent serviceability. Ground-level access to daily service, the engine fuel and air filters on the right side are easier to change. The engine oil filter and fuel-water separator on the left side are Readily accessible.

### Maintenance easy

The cab swings up more than 80 degrees, designed to access to the machine systems and easy replacement of the hydraulic key components and filter.





### — Quick Coupler and attachments

Our quick coupler is designed as ISO Standard which is widely used, the standard quick coupler allows one machine to use a series of attachments, give you business greater versatility. Skid steer loaders are compatible with buckets, brooms, hydraulic hammers, augers, forks, bale huggers, dozer blades and other attachments.



# Technical Specifications

## ENGINE

Cummins EU Stage V/ Tier 4 Final emissions certified	
Model	4TNV98CT-NTY
Type	Water-cooled, 4-cycle
Aspiration	Turbocharged & air-to-air intercooled
Number of cylinders	4
Displacement	3.319L
SAE J1995	53.7kW 2500r/min
Peak torque	269~291 N·m/1625±25 r/min
Fuel system	Direct injection
Air cleaner	dry type with double elements

## Cooling

Fan drive	Hydraulically driven
-----------	----------------------

## Power Train

The hydrostatic Transmission provides quick travel response and aggressive drive.

Travel speed	Forward	Reverse
1st	12km/h (7.5mile/h)	12km/h (7.5mile/h)
2nd	19km/h (11.88mile/h)	19km/h (11.88mile/h)

## Hydraulic System

System type	Variable driving hydraulic system, pilot and mutil-function EH joystick
Pump Flow, Standard	38+19ml/r
System working pressure	21±1MPa
Traveling pressure	35MPa
Raise time	≤5.5s
Dump time	≤2s
Lower time(empty)	≤3.5s
Total cycle time	≤11s

## Electrical

Voltage	12V
Battery capacity	95AH
Alternator rating	12V/80A

## Refill capacity

Cooling system	40L	10.57 gal
Fuel tank	105L	27.74 gal
Engine oil	9.4 L	2.48 gal
Hydraulic tank	50L	13.21 gal
Hydraulic system total	63L	16.64gal
Chain box, each side	15L	3.96 gal

## Performance

Tipping load	≥2720kg	≥5984lb
Rated operating capacity	≥1360kg	≥2992lb
Boom breakout force	≥28KN	≥6300lbf
Bucket breakout force	≥33KN	≥7425lbf

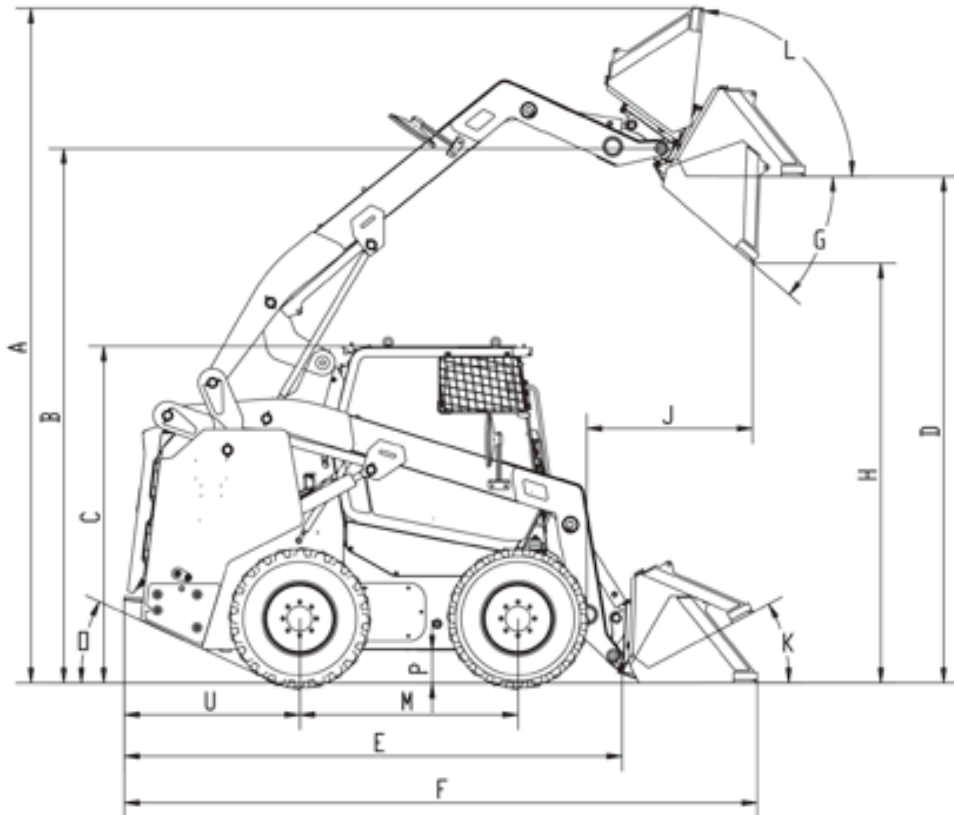
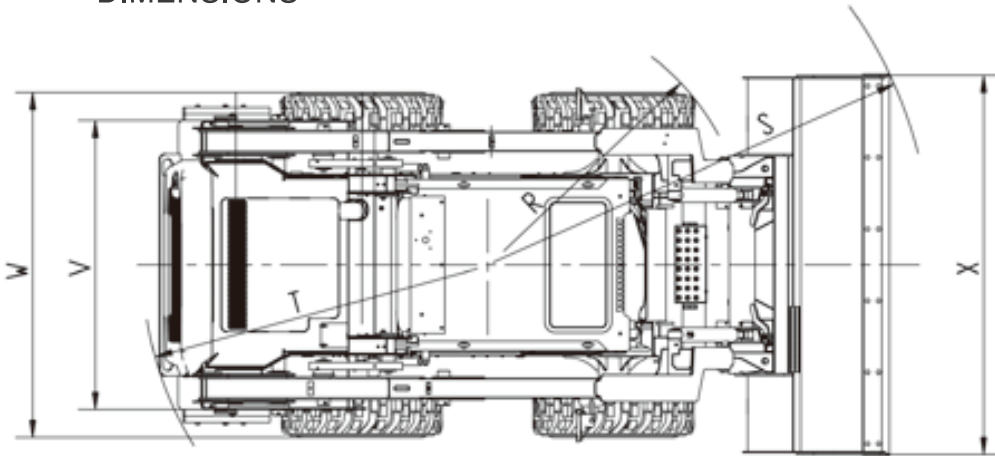
## Noise level

Inside cab	≤80dB
Outside cab	≤100dB



# Technical Specifications

## DIMENSIONS



A Maximum overall height	4086 mm	13.4ft
B Height to hinge pin at maximum lift	3235 mm	10.61ft
C Height to top of cab	2040 mm	6.69ft
D Clearance bucket bottom to ground	3065 mm	10.05ft
E Length without bucket	3010 mm	9.87ft
F Length with bucket	3800 mm	12.46ft
G Dump angle (full lift height)	40°	
H Dump height at maximum lift and dump	2530 mm	8.3ft
K Bucket rollback at ground level	30°	
L Bucket rollback at maximum lift	83°	
J Reach at maximum lift and dump	1000 mm	3.28
M Wheelbase	1319 mm	4.33ft
O Angle of departure	25°	
P Ground clearance	205 mm	0.67ft
R Front turning radius without bucket	1450 mm	4.76ft
S Front turning radius with bucket	2300 mm	7.54ft
T Rear turning radius	1840 mm	6.04ft
U Bumper overhang behind Rear Axle	1175 mm	3.85ft
V Tread	1500 mm	4.92ft
W Width without bucket	1800 mm	5.9ft
X Width with bucket	2000 mm	6.56ft

# STANDARD EQUIPMENT

## ENGINE

Yanmar, EPA Final Tier 4/ EU Stage V emissions, 4 cylinder 4 stroke

Electronic injection system

Diesel Particulate Filter(DPF)

## Cooling

Hydraulically driven

## Powertrain

Two speed travel

Hydrostatic transmission

Closed-center hydraulic

Hydraulic released parking brakes

Four wheel drive

## Hydraulic

Axial-piston hydrostatic pump

Pilot control

ISO mode joysticks

Third function valve standard

Standard hydraulic flow 95L/min

Maximum hydraulic flow 142.5L/min

## Electric

Four LED lights

Battery,

Backup alarm

Electric horn

Rotating beacon

Front windshield wiper

## Tire

12-16.5

## Linkage& Attachment

Vertical lift linkage

Quick coupler standard

ISO standard interface

## Bucket

0.6m<sup>3</sup>(0.78yd<sup>3</sup>)

## Cab

ROPS/FOPS cab

Adjust seat with suspension

Armrest and control interlock

Air conditioning

Rearview mirror

Fire extinguisher

Retractable seat belt

Rearview camera

## Other

Hour meter

Voltage

Coolant temperature

Hydraulic oil level sight gauge

Coolant level sight gauge

Engine oil temperature

Engine oil pressure

Hydraulic oil temperature

# OPTIONAL EQUIPMENT

Ride control

Additional counterweight

# Optimum Services , XCMG Guaranteed



XCMG approved attachments



Genuine parts



Financial solutions



Maintenance contract



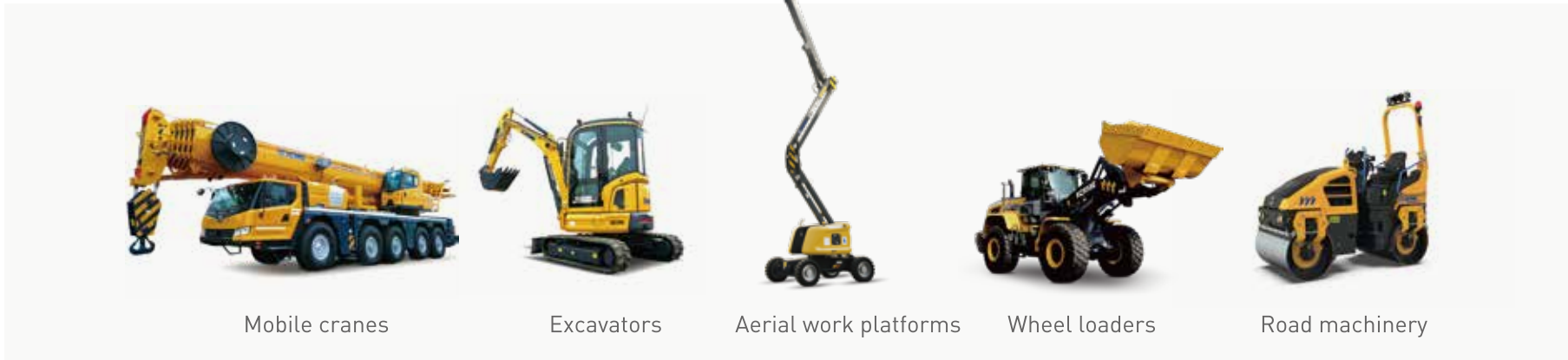
## Full Range of Services Ready for You

In order to respond to your needs as fast as possible, XCMG experts can be dispatched to your job site from a facility near you. A full range of services are available to reduce your total cost of ownership and increase your revenue.

## Professional Integrated Complete Solutions

XCMG group has built a strong reputation based on the quality, reliability and durability of its construction machinery. XCMG has established a world wide service and parts network to provide support to every customer regardless of location.

## XCMG Global Spare Parts System



Mobile cranes

Excavators

Aerial work platforms

Wheel loaders

Road machinery



 **XCMG**

---

