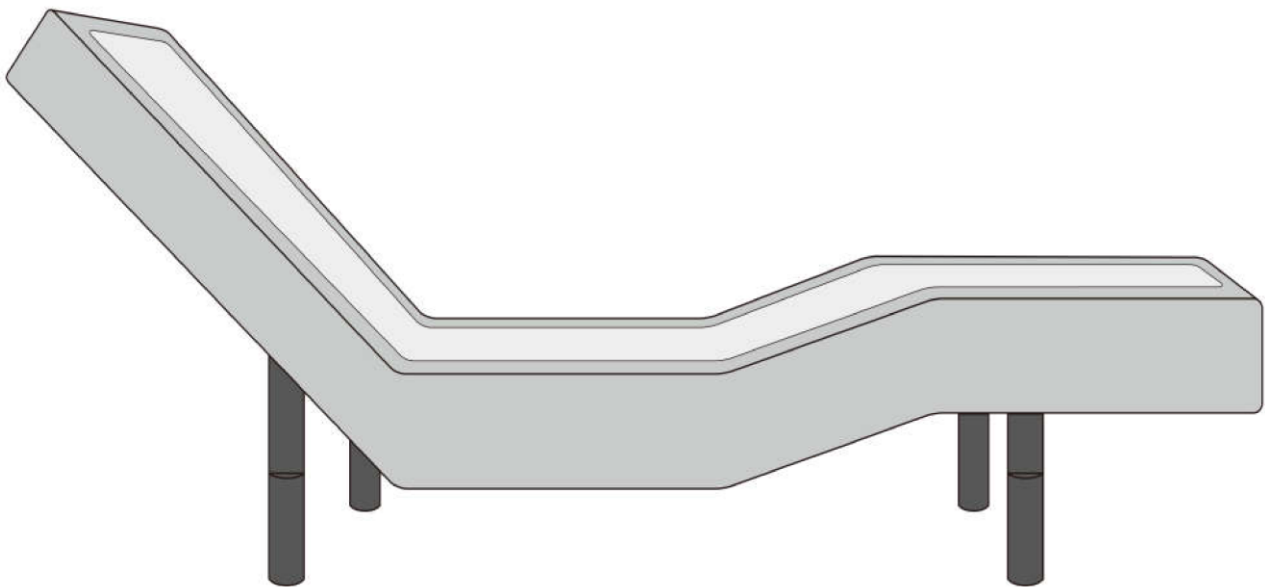


Harmony™



Adjustable Base

**Assembly and Operation
Manual**

Table of Contents

Safety Precaution and Usage Guide.....	2
To decrease the risk of electronic shock.....	2
Adjustable base performance.....	3
Restrictions of your adjustable base.....	3
Electronic system information	4
Parts List.....	7
Electronics Overview	8
Assembly Guide.....	9
Operating Your Adjustable Base	13
Wireless pairing operation.....	14
Power outage or failure of remote control	16
Troubleshooting.....	17
20 YEAR LIMITED WARRANTY	

Safety Precaution and Usage Guide

Attention: SAVE THESE PRECAUTIONS AND USAGE GUIDES

Your new adjustable base has been strictly tested and inspected prior to dispatch. It is highly recommended to read these instructions thoroughly before you try your new adjustable base, in order to keep your high-quality adjustable base performing well in its lifetime but also to reduce the risk of fire, electric shock, burns or any injury to users.

To decrease the risk of electronic shock, burns, or injury to users, children or pets, please follow these instructions.

1. After unpacking your adjustable base, be aware of your **small children and pets**. Its packing material may put your **small children** or **pets** in **smothering dangers**.
2. **Unplug** the power cord from the power outlet **before installing** parts or **cleaning** your adjustable base.
3. **Keep** the power cord **away** from **water** and **heated areas**. If your adjustable base is **wet** or has a **frayed power cord**, please do not operate it.
4. **Do not** operate your adjustable base near **explosive gases** or **aerosol spray products** are being used.
5. **Never** operate your adjustable base when the **air openings** on its electronic system are **blocked**.
6. **Never** drop or insert any object into **any air opening** on the electronic system of your adjustable base.
7. Before you **disconnect** the power cable, please return your adjustable base to the **flat position** and **stop all operations**.
8. **Unplug** your electronic gadgets from the USB port (option) of your adjustable base if they are **fully charged**.
9. **Do not** use the massage vibrators (option) on your adjustable, if you are a consumer with **artificial cardiac pacemakers**, before you **consult your physician**. Your pacemakers and massage vibrators may or may not be mutually affected by each other.
10. **Do not** use your adjustable base **in the outdoors**. Your adjustable base is only designed for **in-home use**.
11. **Do not** operate your adjustable base if **small children** or **pets** are under your adjustable base. **Supervision** is required for operating your adjustable base if small children or pets are around your adjustable base. **Small children** are **not allowed** to operate your adjustable base without **parents** or **adult supervision**.
12. **Do not** use your adjustable base as a **hospital bed** or **care bed**. This adjustable base does not comply with **medical standards**. Your adjustable base is only designed for **residential purpose**.
13. **Adjust** your installed **headboard** (not included) against a **wall** to prevent from collapsing on persons, children or pets.
14. Use your adjustable base in compliance with the **restrictions** written on the Page 3.

To keep your high-quality adjustable base performing well in its lifetime, please follow these instructions.

1. Your adjustable base is only designed for **In-Home Use**. This adjustable base is not designed for **outdoor** or **commercial** purpose.
2. **Do not** unscrew or open the **motor, wired handset** or **remote control** (option), and **other electronic components** on your adjustable base, except for opening the battery compartment on your remote control. The warranty will be void if there is any component damaged by users. Only **authorized service personnel** are allowed to repair or replace parts.
3. **Do not** mix **different** types of **batteries** or old batteries with a fresh one for your remote control.
4. **Remove** the **batteries** from your **remote control** and motor if your adjustable base will not be used for a long time period to prevent damage caused by **battery leakage**.
5. **Do not** sit on the **head** or **leg section** while in the raised position. It can damage your adjustable base and lead to shorter life expectancy.
6. **Do not** lift or move the base **during operation**. It might cause damage to your system.
7. **Do not** sit or **step** onto the **wood lower frame (option) furnished with fabric beneath the mattress platform** while in the raised position. It can damage the frame.
8. **Do not** lift or move your adjustable base by **grabbing** its **mattress platform** or its **wood lower frame (option) furnished with fabric**. If it is necessary to lift or move your adjustable base, please do it by **grabbing** the **cross bars** of its metal frame.
9. Your adjustable base must be on **flat ground** to avoid damage to your product.
10. Use a **compatible mattress** for your adjustable base. A **memory foam mattress** or **latex mattress** is recommended. Some spring mattresses or pocket spring mattresses, for example, may not suit your adjustable base. Consult your mattress specialist to verify your mattress is compatible.
11. Use your adjustable base in compliance with the **restrictions** written on the Page 3.

Restrictions of your adjustable base

1. Do not operate lift motors above the **10% duty cycle**. For example, after continuous 2-minute operation 18-minute rest is required.
2. Do not continuously or intensively operate the massage vibrators (option) above maximum 2 hours within 6 hours.
3. **Weight Restrictions:** the maximum weight limits on your adjustable base for Twin, Twin XL, Full and Queen are at a maximum of 400kg/880lbs (evenly allocated across the mattress platform). This capacity includes the mattress and occupants. The warranty of your adjustable base will be void if excessive weight of 400kg/ 880lbs is loaded on your adjustable base.

Electronic system information

Radio Frequency Compliance:

Radio Frequency: 2.4 MHz.

FCC ID: 03YRF075A

Your Device complies with part 15 of the FCC Rules. Operation is subject to the following two conditions:

1. This device may not cause harmful interference.
2. This device must accept any interference received, including interference that may cause undesired operation.

Attention:

In compliance with FCC RF exposure requirements, there must be no change to the antenna or the device without permission. Users may be deprived of his/her right to the device if the device exceeds the RF exposure requirements caused by any change the antenna.

Power Ratings:

Input: AC100-120V 50/60Hz 1.5A

Output: DC29V 1.8A

Protection Class: Class II

IMPORTANT SAFETY INSTRUCTIONS

When using an electrical appliance, basic precautions should always be followed, including the following:

Read all instructions before using the Appliance.

DANGER - To reduce the risk of electric shock:

Always unplug this appliance from the electrical outlet immediately after using and before cleaning.

WARNING – To reduce the risk of burns, fire, electric shock, or injury to persons:

1. An appliance should never be left unattended when plugged in.
Unplug from outlet when not in use, and before putting on or taking off parts.
2. Close supervision is necessary when this appliance is used by, on, or near children, invalids, or disabled persons.
3. Use this appliance only for its intended use as described in this manual.
Do not use any attachment not recommended by the manufacture.
4. Never operate this appliance if it has a damaged cord or plug, if it is not working properly, if it has been dropped or damaged, or dropped into water.
Return the appliance to a service center for examination and repair.
5. Do not carry this appliance by supply cord or use cord as a handle.
6. Keep the cord away from heated surfaces.
7. Never drop or insert any object into any opening.
8. Do not use outdoors.
9. Do not operate where aerosol (spray) products are being used or where oxygen is being administered.
10. To disconnect turn all controls to the off position, than remove plug from outlet.
11. The appliance is intended for household use.

SAVE THESE INSTRUCTIONS

SERVICING OF DOUBLE-INSULATED PRODUCTS

In a double-insulated product, two systems of insulation are provided instead of grounding. No grounding means is provided on a double-insulated product, nor is a means for grounding to be added to the product. Servicing a double-insulated product requires extreme care and knowledge of the system, and is to be done only by qualified service personnel.

Replacement parts for a double-insulated product must be identical to the parts they replace. A double-insulated product is marked with the words "DOUBLE INSULATION" or "DOUBLE INSULATED." The symbol (square within a square) is also able to be marked on the product --

- 

INDICATIONS IMPORTANTES DE SÉCURITÉ

Lorsque vous utilisez un appareil électrique, quelques précautions de base sont à respecter, y compris :

Lire toutes les indications avant d'utiliser l'appareil.

DANGER – Pour réduire les risques d'électrocution :

Toujours débrancher cet appareil après l'avoir utilisé et avant de le nettoyer.

AVERTISSEMENT – Pour éviter les risques de brûlure, de feu, d'électrocution ou d'autres blessures physiques.

1. L'appareil ne doit jamais être laissé brancher sans surveillance. Débranchez-le lorsque vous ne l'utilisez pas, et avant d'attacher ou détacher des pièces
2. Lorsque l'appareil est utilisé près ou par des enfants, des invalides ou des infirmes, il faut absolument rester vigilant.
3. Utiliser cet appareil seulement dans le but d'accomplir les travaux décrits dans ce mode d'emploi.
4. Ne pas utiliser cet appareil, si les câbles ou les prises sont abîmés, s'il ne fonctionne pas sans problème, s'il est tombée ou endommagée ou s'il est tombé dans l'eau. Apporter votre appareil pour réparation ou vérification auprès de l'agent le plus proche ou le spécialiste correspondant.
5. Ne jamais porter cet appareil par son câble d'alimentation ou utiliser son câble comme poigné.
6. Éloigner cet appareil des surfaces surchauffées.
7. Ne pas introduire d'objets dans les ouvertures de l'appareil.
8. Ne pas utiliser cet appareil en plein air.
9. Ne pas utiliser l'appareil dans un endroit où l'on utilise des produits avec gaz propulseur (spray) ou de l'oxygène
10. Pour débrancher, vous devez éteindre tous les contrôles d'abord, puis débranchez la prise.
11. Cet appareil est pour un usage domestique.

CONSERVER CES INSTRUCTIONS ENTRETIEN DES PRODUITS À DOUBLE ISOLATION

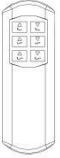



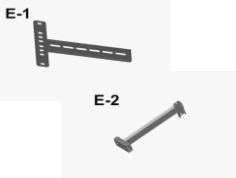






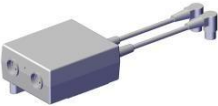
Un produit à double isolation est équipé de deux isolations au lieu d'une mise à la terre. La mise à la terre n'est pas prévue sur un produit à double isolation et ne devrait donc pas être employé. L'entretien d'un produit à double isolation

exigeant de grands soins et des connaissances poussées sur le système, il doit donc être réalisé seulement par du personnel qualifié. N'employer que des pièces de rechange originales pour l'entretien et la réparation. Un produit à double isolation est désigné de la manière suivante : « Isolation double » ou « A double isolement ». Le symbole (un carré dans un autre carré) peut également caractériser un tel produit.

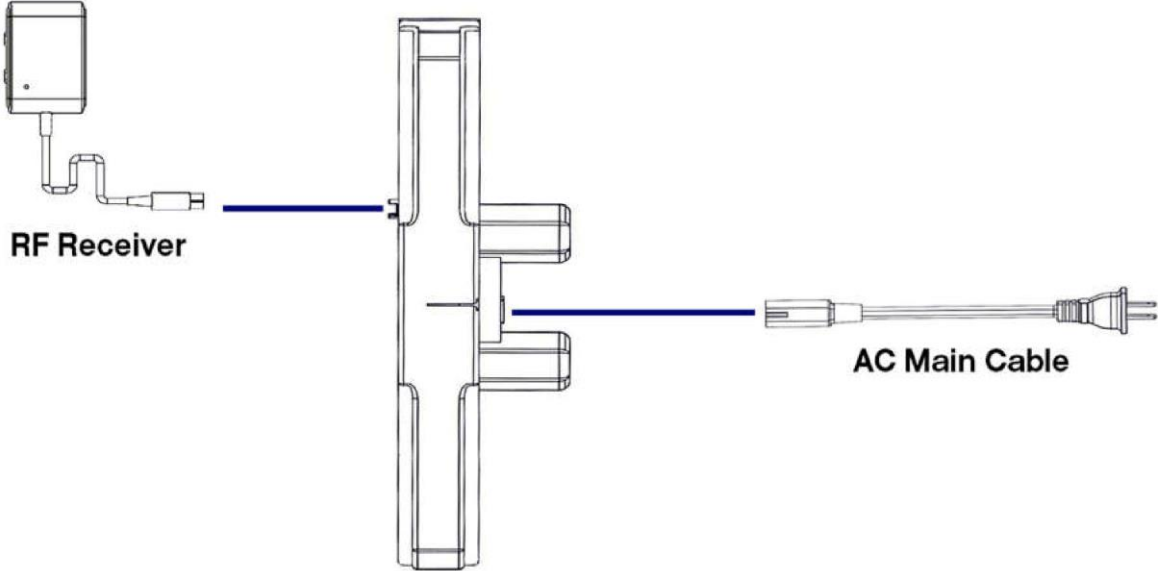
Parts List

IMPORTANT NOTE:

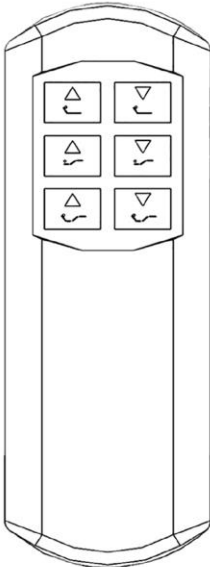
Check and confirm the following items are included in the carton, BEFORE disposing of any packing materials.

	<p>A. Remote Control * 1</p>		<p>B. AC Main Cable * 1</p>
	<p>C. Support Leg * 4</p>		<p>D. Mattress Retainer * 1</p>
	<p>E. Headboard Brackets * 2 sets</p>		<p>F. Hex Key * 1</p>
	<p>G. Wrench * 1</p>		<p>H. Bolts for Retainer * 4 (on adjustable base)</p>
	<p>I. Ellipse Plate for Retainer * 2 (on adjustable base)</p>		<p>J. Bolts for Headboard * 8</p>
	<p>K. Nuts for Headboard * 8</p>		<p>L. Washers * 16</p>
	<p>Optional A Sync Box* 1</p>		

Electronics Overview



Motor



Assembly Guide

IMPORTANT NOTE:

Two people are required to set up your adjustable base.

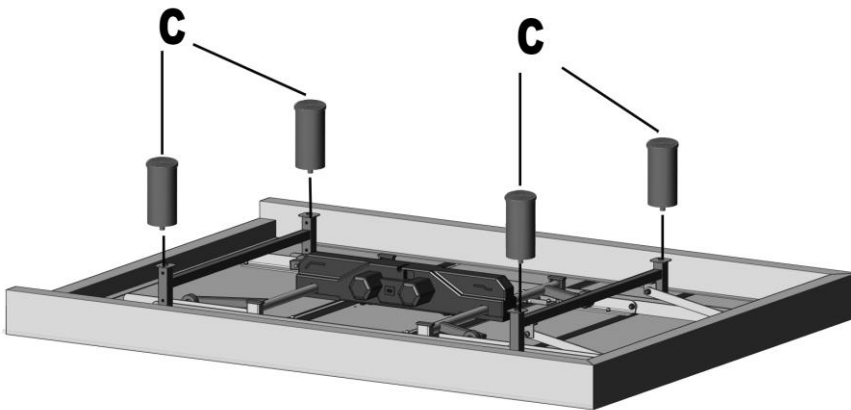
STEP 1



Leave the carton in the flat position. After opening this carton, carefully take your Adjustable Base to the desired location and leave it topside down.

STEP 2

Take out four Support Legs (C) from the Accessories Box. Tighten the Four Legs onto the Adjustable Base. Securely tighten the legs and leave no gap between the legs and the base.

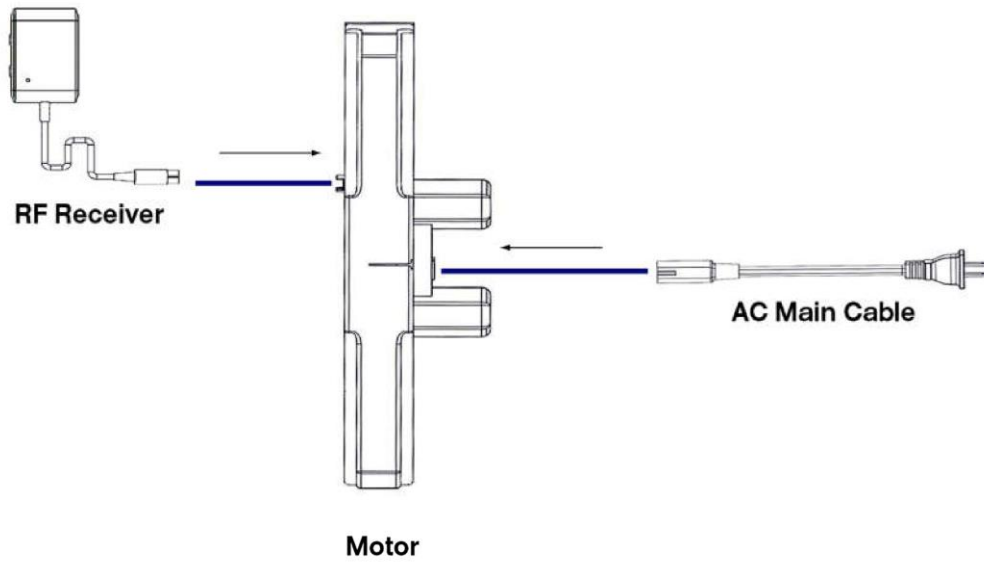


STEP 3

Insert two AAA Batteries (M) into the compartment of the Remote Control (A)

STEP 4

Connect AC Main Cable (B) to the Motor.



STEP 5

Carefully flip over your topside-down Adjustable Base. Lift up the Base to desired location.

IMPORTANT NOTE:

Be Careful when flipping your Base:

The installed legs could get damaged or bent by excessive pressure, if you lean your Adjustable Base on the legs.

1. Do not recline the Base against the installed legs to flip it over.
2. Do not drag the Base across the floor.

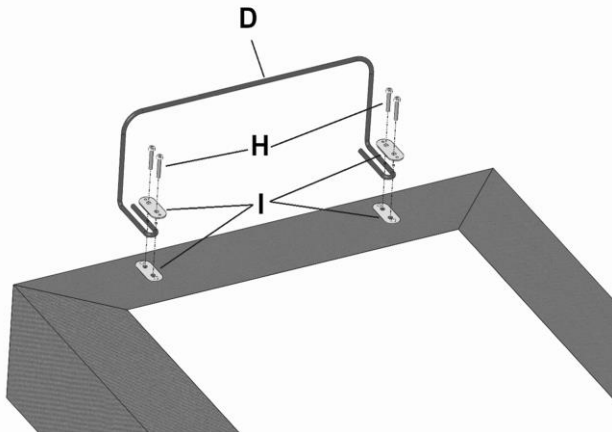
STEP 6

Plug the AC Main Cable (B) in an electrical outlet with 100-240V, 50/60 Hz. A surge protector (not included) is recommended for longer life of your Adjustable Base.

STEP 7

Take out Retainer (D) Wrench (G) and remove 4 Bolts For Retainer (H) and 2 Ellipse Plates (I) from your adjustable base.

Follow the installation instruction in the following picture.

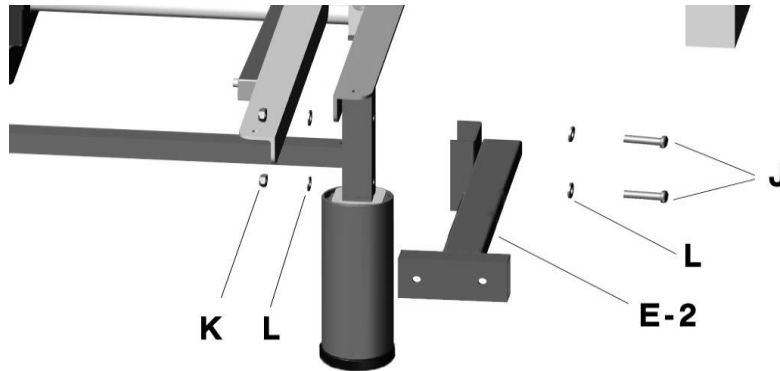


STEP 8 (Installing Headboard)

Raise the Backrest by using Remote Control (A). Take out the Wrench (G), two Bolts (J), four Washers (L) and two Nuts (K) from the Accessories Box.

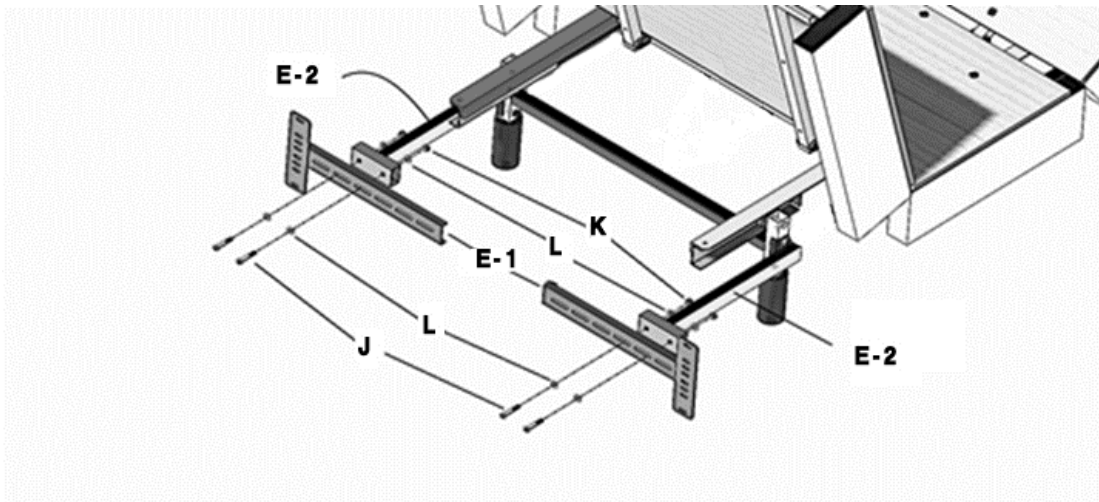
Refer to the following picture. Place the Headboard Bracket (E-2) on the tube of the right hand side of your Adjustable Base. Insert the Bolt (J) with the Washer (L) through the pre-drilled holes on the Bracket (E-2) and the vertical tube on your Adjustable Base. Fasten the Bolt (J) with the Washer (G) and the Nut (K) with the Washer (L) by using the Wrench (G)

Redo this step on the left hand side of your Adjustable Base.



STEP 9 (Installing Headboard)

The Bracket (E-1) allows adjustment to meet the dimension of user's Headboard. After choosing desired pre-drilled holes on the Bracket (E-1), pass the Bolts (J) with the Washer (L) through the holes on E-1 and E-2 Brackets. Fasten these Bolts (J), Washers (L) and Nuts (K) by using the Wrench (G).



Step 10

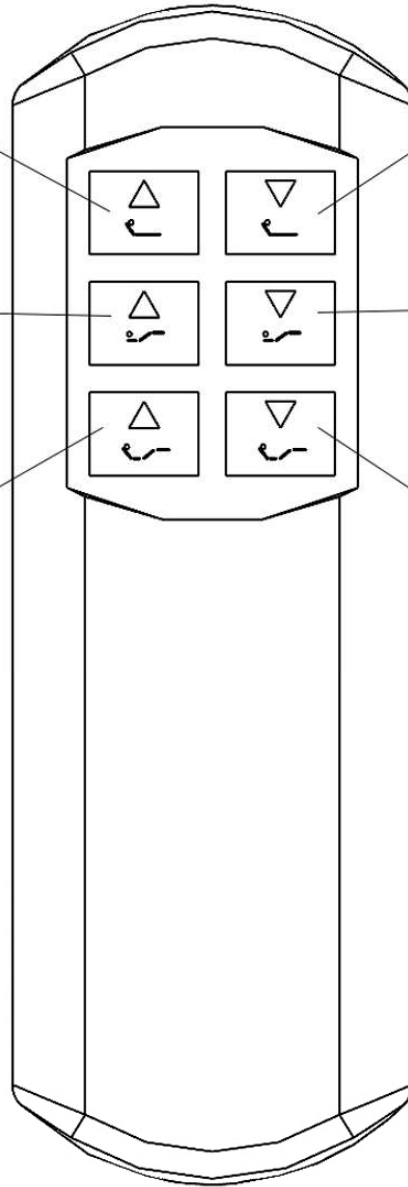
Now place your mattress on your Adjustable Base. All the installation procedures have been completed.

Operating Your Adjustable Base

* Press and hold the button to RAISE BACK REST. Stops when released.

* Press and hold the button to RAISE LEG REST. Stops when released.

* Press and hold the button to RAISE BACK REST and LEG REST SIMULTANEOUSLY. Stops when released.



* Press and hold the button to LOWER BACK REST. Stops when released.

* Press and hold the button to LOWER LEG REST. Stops when released.

* Press and hold the button to LOWER BACK REST and LEG REST SIMULTANEOUSLY. Stops when released.

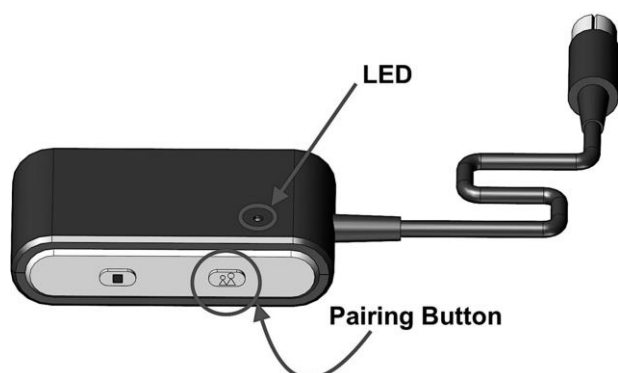
Wireless pairing operation

Step1:

Make sure the RF receiver is properly connected to the Motor.

Step2:

Press the pairing button on the RF receiver until the green LED turns on. Now you have 10 seconds for pairing process.



Step3:

Press and hold simultaneously Heads-Up and Heads-Down buttons on the Remote (A) until the LED on the RF receiver starts blinking. The blinking confirms successful pairing.

Please repeat all the above steps if the pairing operation failed.



Important Notes:

For pairing the distance between the Remote (A) and the RF receiver should be less than 2 meters.

SYNCHRONIZATION (OPTION)

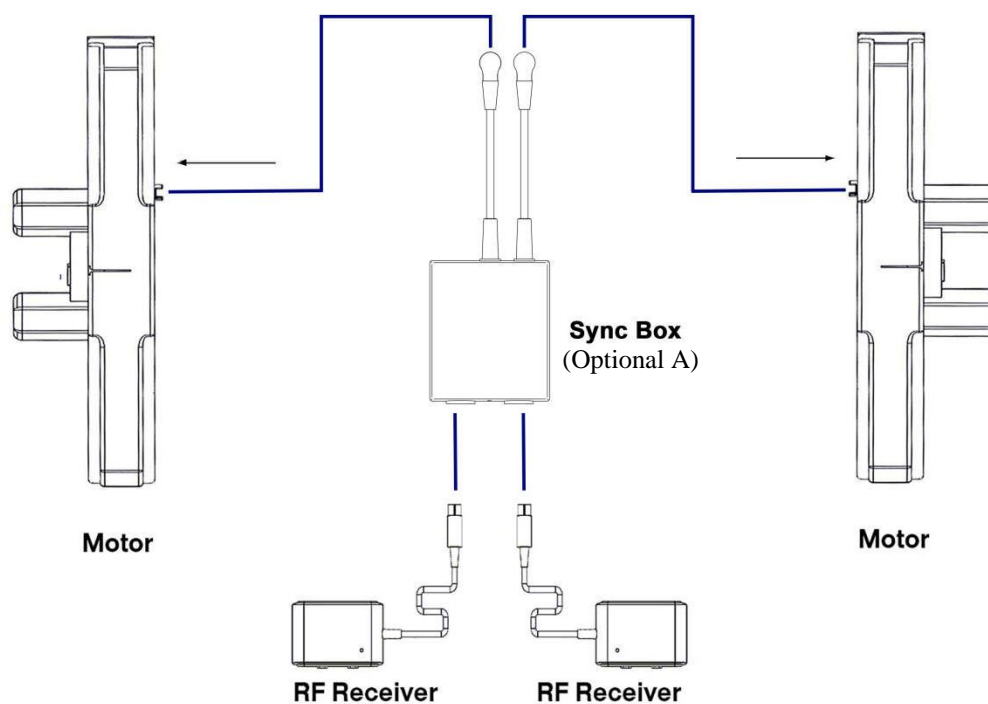
Synchronization may be required for setting up two TXL Bases.

Insert one cable of the Sync Box (Optional A) into the Motor of your Adjustable Base.

After completing the first three steps on the Second Base as describe on page 14, insert the other end of the Sync Box (Optional A) into the Motor of the second TXL Adjustable Base.

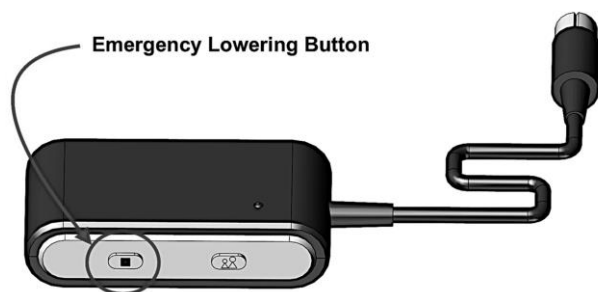
Insert both RF Receivers into the Sync Box (Optional A) as it show on the picture below.

NOTE: Both remotes, if used at the same time, the Base will freeze in place and will no operate until one of the Remote's buttons are not being pushed at the same time.

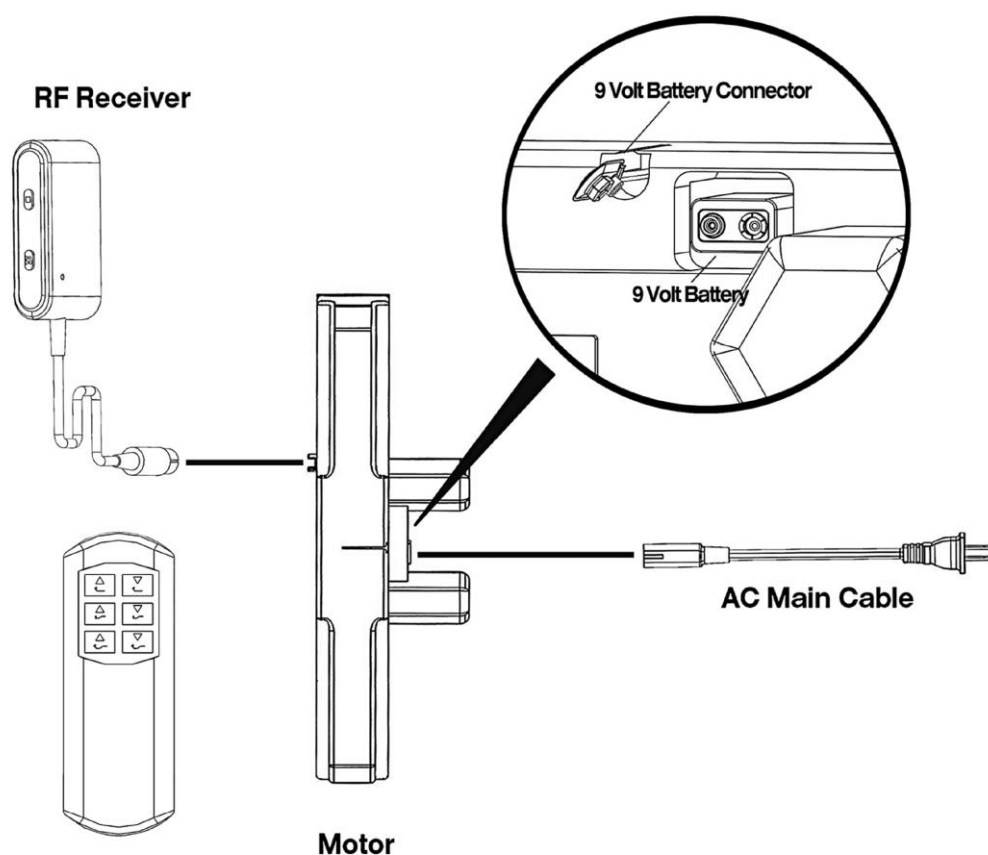


Power outage or failure of remote control

In the case of failure of the Remote Control, press and hold the Emergency Button on the RF receiver to flatten your Adjustable Base. When releasing the Emergency Button, all the movements will stop immediately.



In the case of the power outage, insert two 9V Batteries (not included) to the Battery Compartment and connect it to the Motor. Please refer to the following picture. It can be used as the backup power to flatten your adjustable bed by pressing the emergency button of the RF receiver or using remote. Please be noted that the back power is only for flattening the Base without load.



Troubleshooting

TROUBLE	SOLUTION
There is no feature of the base that can be activated.	Remote control illuminates <ul style="list-style-type: none"> ◆ Reset the electronic components by unplugging your base for 30 seconds. Re-plug it into the power outlet. ◆ Ensure the surge protection or the power outlet is working. Test it by plugging in another working electronic appliance. ◆ The unworked power outlet may be led by the tripped electrical circuit breaker. Check the box of electrical service breaker. ◆ Re-pair the remote control (see Wireless pairing operation).
The base cannot return to the flat position.	<ul style="list-style-type: none"> ◆ Ensure the base is not obstructed. Remove the obstruction. ◆ Ensure there is a sufficient space between the wall or headboard and the edge of the mattress. The insufficient space may obstruct the movement of the base.
Minor interference with lifts functions.	<ul style="list-style-type: none"> ◆ Replace batteries in the remote control if necessary. ◆ Ensure you're operating within 10% duty cycle (see Restrictions of your adjustable base). ◆ Press the adjust buttons squarely and accurately. ◆ RF receiver may be subject to the common radio frequency from other devices. Reprogram the remote control and the RF receiver on a different radio frequency if necessary (see Wireless pairing operation).

20 YEAR LIMITED WARRANTY

Your New Adjustable Base has a 20 Year Limited Warranty, subject to the terms and conditions set forth herein.

The Purchaser must show original proof of purchase for Warranty to be valid.

The decision for repair or replacement of defective parts under this limited warranty is the option and sole discretion of the manufacturer.

Year-1: Full Coverage of Parts and Labor

The manufacturer against defects and workmanship warrants this adjustable base for a period of one year from the date of purchase.

During this time, the manufacturer will repair or replace, at no cost to the original purchaser, any warranted parts found to be defective by the manufacturer.

Year 2 – 3: Full Coverage of Parts Only

During 2 through 3 years from the original purchase date, the manufacturer will offer the original purchaser replacement parts for any defective adjustable base parts determined by the manufacturer to be defective.

The manufacturer's liability is limited to the replacement of the defective electrical and mechanical parts only.

The original purchaser shall bear all transportation costs for parts and installation labor related to the delivery and replacement of the defective parts.

Year 4 – 20: Full Coverage of Mechanical Parts Replacement

During 4 through 20 years, the manufacturer will offer the original purchaser mechanical replacement parts for any mechanical base part to be found defective. The original purchaser shall pay 1/16 of the current replacement parts multiplied by the number of years after the fourth year from the original purchase date.

The manufacturer's liability is limited to the replacement of the defective mechanical parts only. This does not apply to the fabrics, electrical components, lift motors, massage motors and wood components.

The purchaser shall bear all transportation costs for parts and installation labor related to the delivery and replacement of the defective part.

Additional Terms and Conditions:

This warranty is void and does not apply:

- ◆ To any damage caused by user
- ◆ If damage occurred during transit or mishandling
- ◆ Subjected to physical or electrical abuse or misuse
- ◆ Exceeded the Load Capacity recommended by the manufacturer in your Owner's Manual

Repair or replacement of adjustable base parts will be the sole remedy of the purchaser. This warranty excludes the reimbursement for inconvenience and normal wear and tear. There shall be no liability on the part of the manufacturer and their respective parents, subsidiaries, divisions or affiliates for any special, indirect, incidental or consequential damages or other damages, claim or loss not expressly covered by terms of this Limited Warranty.

For further assistance, please contact the dealer you purchased your Adjustable Base from.