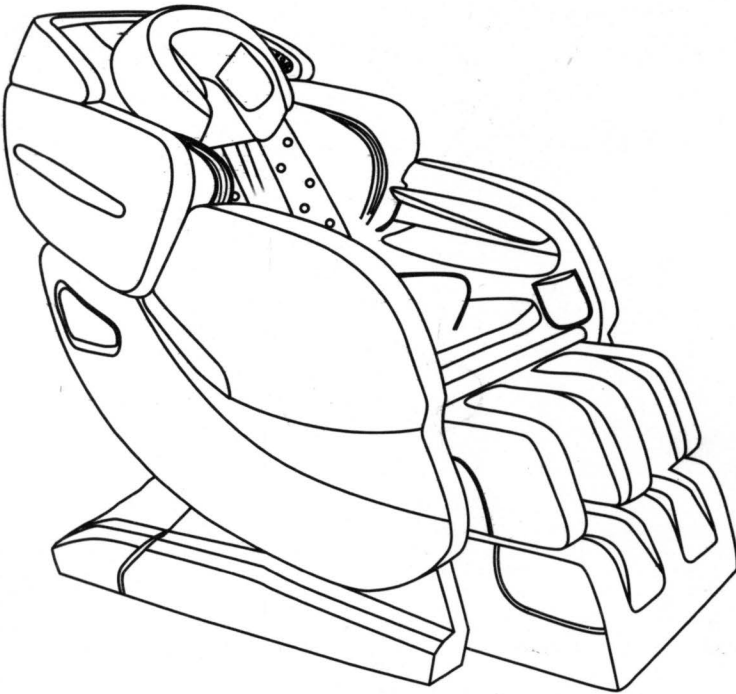


## CONTENT

Page

■ Important Safety Instructions	1 - 2
■ Name of Components	3 - 4
■ Remote Control Instructions	5 - 6
■ Preparation Before Use	7
■ Trouble Shooting	8



# Manual Book

# IMPORTANT SAFETY INSTRUCTION

Please read details in this booklet carefully and pay special attention to the "Important safety instructions". To ensure proper use please keep this booklet for your reference.  
(All information presented is as accurate as possible, but is subject to change without notice, please check with the product. Our company reserves the right of final explanation.)

## WORK ENVIROMENT

- Please do not use it in a moist environment to avoid the danger of an electric shock.
  - Please do not use it in the heavy-dusty of caustic enviroment in order to avoid mechanical failure of eroding.
  - Please do not use your chair if the room temperature is higher than 40 C.
  - Please do not leave it outdoors. Please do not expose this machine to strong light, ultraviolet rays, sunshine or in close proximity to a heater.
  - Please use your chair where there is enough space and good ventilation.
- Please use and place it on the level of ground. This massage chair is intended for household use only.

### **Caution:**

Please do not use the machine immediately after the surrounding temperature changes sharply. Wait 30 minutes for the machine to reach the room temperature, then use it.

## PEOPLE WHO ARE NOT SUITABLE TO USE THIS PRODUCT

- If you are pregnant or have any health issues please consult your medical practitioner before using your chair.



### **WARNINGS:**

- This appliance is not intended for use by persons ( including children) with reduce physical, sensory for mental capabilities, or lack of experience and knowledge, unless they have been given supervision or instruction concerning use of the appliance by a person responsible for their safety.
- Children should be supervised to ensure that they do not play with the appliance.
- Service and Repairs must be carried out by a suitably qualified person.
- If the supply cord is damaged, it must be replaced by the manufacturer, its service agent or similarly qualified persons in order to avoid a hazard.

## SAFETY ITEMS

- Please check your voltage is suitable before use.
- Please do not plug/unplug the power plug with wet hands.
- To avoid electric shock or short circuit do not spill liquid on the machine.
- Importantly, do not use this chair if some parts of your seat have moved.
- Please do not use in conjunction with other medical instruments or an electro-thermal blanket to avoid injury or inefficacy.
- Please do not use your chair within an hour after having a meal.
- Please do not place valuable things or heavy objects on this product to avoid mechanical failure and damage
- Please check that there is no perdon, pets and obstacles near the working massage chair to avoid any injury or mechanical problems.
- Please never put hands or feet into the slots so as to avoid any injury.

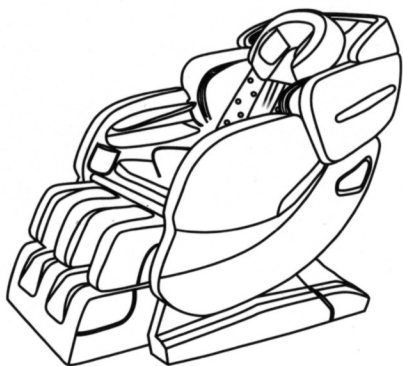
- Please check and make sure all the parts are in good condition and are firmly connected before use.
  - Please cut off the power immediately if water or other liquid has been spilled one the remote control or massage chair (especially PCB box)
  - Please cut off the power immediately when the covering cloth is broken (i.e.the built-in mechanism is exposed) and contact us for information.
  - Please cut off the power immediately if any abnormal phenomenon occurs, and contact us for information.
  - The time function can only stop the mechanical operation of your chair, please remember to turn off the power switch.
  - During a storm please turn off the power switch and disconnect the power line, please unplug the power plug SD card of U disc gently.
  - Please do not press, twist or pull the electrical wire forcibly.
- If damage occurs, contact us for inspection/repair information.
- Please do not use this product if the sockets have loosened.

## INSTALLATION AND MAINTENANCE

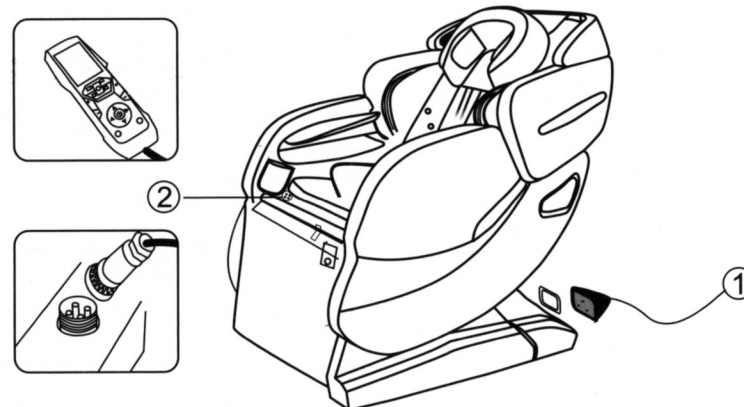
- Please don't disassemble this product or touch the inner parts to avoid injury.
- Only our service agents can repair this product under warranty, please do not disassemble and repair this product by yourself

## CAUTION

- Please locate the backbone at the center of the chair, otherwise it may cause discomfort.
- Please do not try to control the massaging balls to massage your head. That might not very comfortable.
- Please ensure that the body is located in the right position while the massager is working. If the massaging balls go down, do not try to force them to return.
- Please be careful not to fall asleep during your massage.
- If sickness or pain is felt during use, stop using the massager and consult a doctor immediately.
- Please do not use the massager more than 30 minutes each time.



## Remote controller guidance



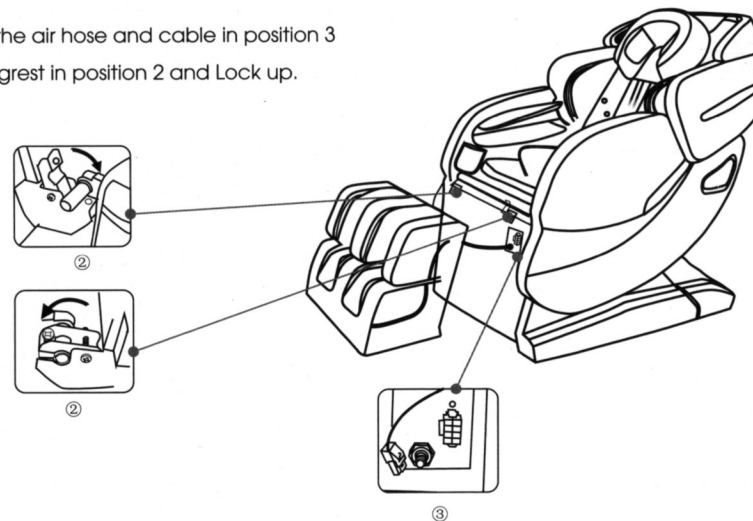
1/ Connect the Power.

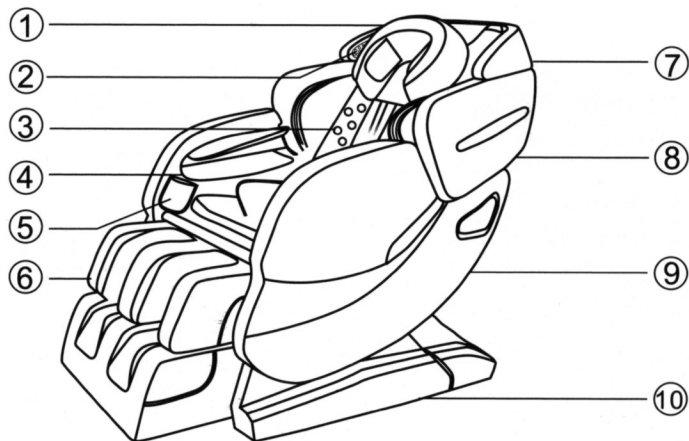
2/ Connect the remote control in position 2.

## The leg assembly

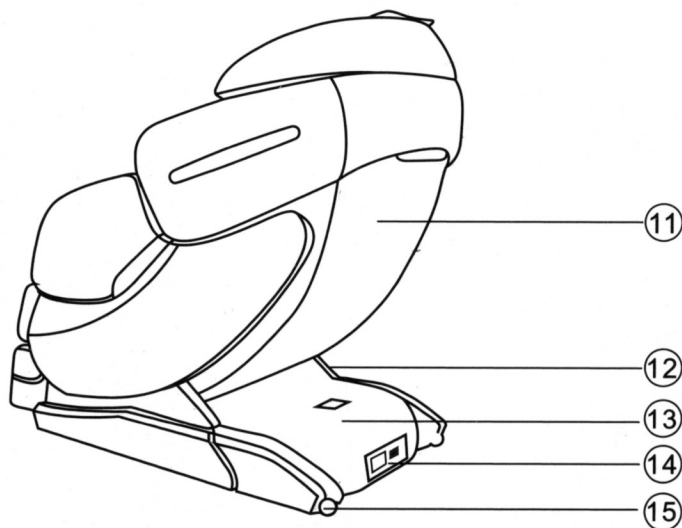
1/ Connect the air hose and cable in position 3

2/ Put the Legrest in position 2 and Lock up.





(Picture1)



(Picture2)

- 1/ Pillow    2/ Speaker    3/ Back Cushion    4/ Armrest    5/ Pocket
- 6/ Foot Rest    7/ Head Cover    8/ Shoulder    9/ Arm Rest    10/ Base
- 11/ Rear Cover    12/ Base    13/ PCBBox    14/ Switch    15/ Caster



## On/Off

Press the power button to turn on the machine and press again to turn it off.



## Auto Mode

10 sets. Auto Massage program for your select, you can change mode by press this button.

This chair has the following pre-set programs for you to choose from:

"Refreshing" 15 Mins, "Comfort" 15 Mins, "Sleeping" 30 Mins, "Recovery" 15 Mins, "Neck & Shoulder" 15 Mins, "Back & Waist" 15 Mins, "Stretching Mode" 15 Mins, "Sport Mode" 15 Mins, "Quick Mode" 5 Mins, "Deep Mode" 45 Mins.

Total 10 Sets Auto Massage Programs.



## MANUAL MODE

Shiatsu	Knead	Tap	Knead & Knock	Knock

you can change the massage motion by keep pressing this button.



## SHOULDER POSITION ADJUSTMENT

Press this button to adjust the highest position that the mechanical hands/rollers reach during your massage.

There are 2 options:

Auto Adjustment

This massage chair has a scan function: when you start a program (such as Recovery), the mechanical massaging hands will scan your shoulder position for a few seconds. After the scan, the massaging hands will scan your shoulder position that they have scanned. Please note: to avoid an error in the scanning process (scanning the incorrect shoulder position) Sit up straight when you first set your massage program.

Manual adjustment.

After auto body scan, if you think the massage rollers can not reach your desire neck position, please adjust massage rollers using this button in the process of massage programme in 15 minutes, then massage rollers can reach as far as the position as you have set.



## Rise Leg Rest

Hold this button to rise the leg rest. if you release the button, it will stop.



## Decline Leg Rest

Hold this button to get the leg rest back. if you release the button, it will stop.



## Tilt-Back Chair

Hold this button to tilt-back this chair, if you release the button, it will stop.



## Return the back

Hold this button to get back rest back to the original position, if you release the button, it will stop.



## Function Key

Press "Menu" into menu bar, you can adjust airbag intensity, Massage rollers Speed, etc.



## Airbag Key

Press this button to turn on/off all of the airbags



## Heating Key

Press this button to turn on/off heating function. increase or decrease temperature by "+" or "-"

## ATTENTION

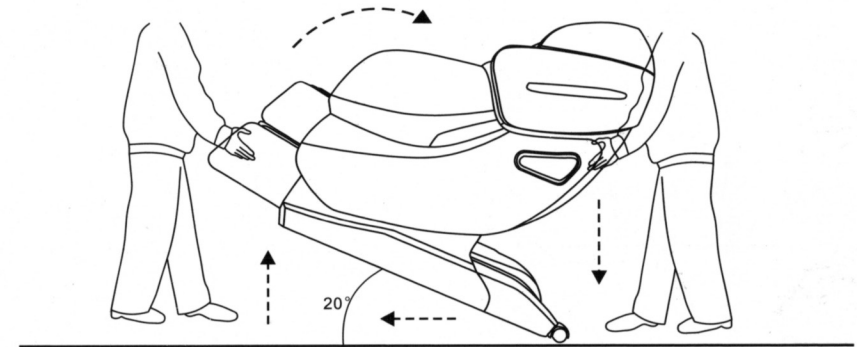
Please place this product on the level ground

As this product is very heavy, we suggest using carpet to avoid damaging the floor.

Take all products parts and accessory case from the package.

### 1. Movement

a. Short distance movement: push the backrest backward until you are balancing the machine on the cast/wheels, to move the massage chair.



### 2. Blue-Tooth Connection

First Step: Turn on massage chair

Second Step: Turn on Blue-tooth function of Mobile phone, and then search for Massage chair Blue-tooth devices (RE-M08).

Third Step: Play Music or Video on your Mobile Phone.

# TROUBLE SHOOTING

Problem	Problem	Solution
Can't start the chair	<ul style="list-style-type: none"> <li>* Check the power plug is connected with socket</li> <li>* Check it is switch on</li> <li>* Check the fuse</li> </ul>	<ul style="list-style-type: none"> <li>• Check the socket and make sure it works effectively</li> <li>• Turn on the chair</li> <li>• Change the fuse if it has melted</li> </ul>
The remote control doesn't work properly	<ul style="list-style-type: none"> <li>* Check the plus is connected to the PCB box</li> <li>* Check if it is connected properly</li> </ul>	<ul style="list-style-type: none"> <li>• Insert the plug in the receptacle securely</li> <li>• Check and make you have a proper connection</li> </ul>
The massaging hands don't work	<ul style="list-style-type: none"> <li>* Check whether the chair is on/off</li> <li>* Check if the time is up</li> <li>* The chair may have been working for too long causing the temperature protector to automatically turn the power off.</li> </ul>	<ul style="list-style-type: none"> <li>• Turn on the chair</li> <li>• Use it after half an hour's rest</li> </ul>
The backrest and footrest can not incline normally	<ul style="list-style-type: none"> <li>* The backrest or footrest may have an interference with an obstruction</li> <li>* Check the power cord for a disconnection</li> </ul>	<ul style="list-style-type: none"> <li>• Move chair from obstruction</li> <li>• Insert the plug in the receptacle securely</li> </ul>
The shoulder position can not be detected		<ul style="list-style-type: none"> <li>• Move your back close to the massage hands, head close to the pillow</li> </ul>
The massage function suddenly stops	<ul style="list-style-type: none"> <li>* Power is off</li> <li>* The time is up</li> </ul>	<ul style="list-style-type: none"> <li>• Turn on the power</li> <li>• Use it after half an hour's rest</li> </ul>
The massage motion suddenly stops, causing the massaging hands to return to the top position	<ul style="list-style-type: none"> <li>* Mechanical failure because of excess weight</li> <li>* The time is up</li> </ul>	<ul style="list-style-type: none"> <li>• Contact us for further information</li> <li>• Use it after half an hour's rest</li> </ul>
The buttons on the remote control are not working correctly		<ul style="list-style-type: none"> <li>• Cut off the power and restart</li> </ul>



### Blue-Tooth Connection

First Step: Turn on massage chair

Second Step: Turn on Blue-tooth function of Mobile phone, and then search for Massage chair Blue-tooth devices(RE-M08) or ( FSC-BT951C )

Third Step: Play Music or Video on your Mobile Phone.

Specification:

Name of Product: Advanced Massage Chair

Voltage: AC220V,50/60Hz

Power: 220W

**CE, CB**

ISO9001:2008 , ISO14001:2004