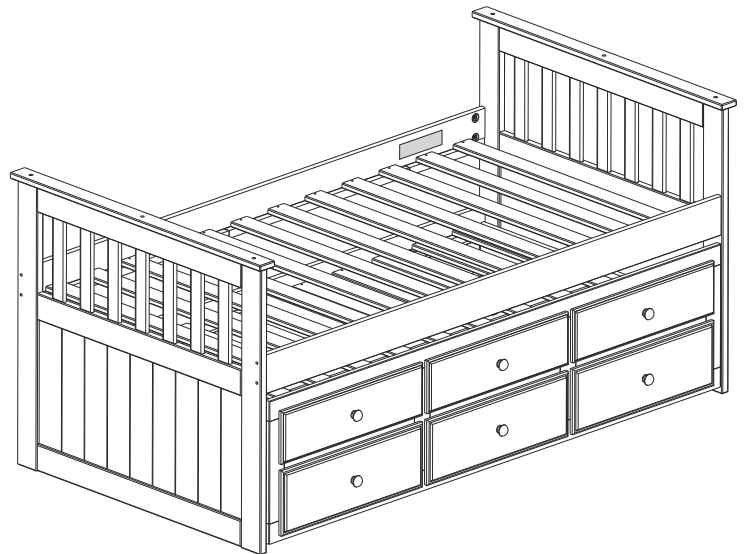




## CAPTAINS BED TB600H



Thank you for purchasing this quality product. Be sure to check all packing materials carefully for small parts which may have come loose inside the carton during shipment. Separate, identify and count all parts and hardware. Compare with the parts list to be sure all parts are present.


### REPLACEMENT PARTS.

Replacement parts, may be obtained from place of purchase or original parts distributor. To obtain parts, please contact: Canal House dba Woodcrest Sales, Peru, Indiana ([www.woodcrest.com](http://www.woodcrest.com)).

### GENERAL INFORMATION

- This bed is designed to use a Twin mattress (37½" - 38½" x 74-75") and wooden slat sets, as provided by the manufacturer.
- This product has been carefully crafted of solid pine wood from renewable and well managed plantation forest, not endangering the environment;
- The highest quality standards have been implemented to assure a sturdy and reliable product;
- As a true nature process, the wood may carry subtle variances of shading, stains, wooden knots, warp sections and small cracks. This is the beauty of the natural wood itself;
- Dust when needed using a smooth dry cloth. Household furniture polish can be used occasionally to restore the gloss. Do not use glass cleaner, alcohol, gasoline, kerosene, or other petrol based liquids of any kind;
- Always use the recommended size mattress, to help prevent the likelihood of entrapment or falls;
- Periodically check and ensure that rails are in their proper position, free from damage and that all connectors are tight;
- Do not allow horseplay on the bed and prohibit jumping on the bed;
- The use of water or sleep flotation mattresses is prohibited;
- Never attach or hang items to any part of the bed that are not designed for use with the bed: for example, but not limited to, hooks, belts, and jump ropes, etc.
- Keep these instructions for future reference;



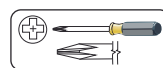
  
\* Use of power tool to assemble this product will invalidate any claim and damage this product making unsafe !!!  
\* Please assemble on a clean soft surface to avoid damage.



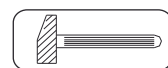
+



### Tools Required



(Not included)

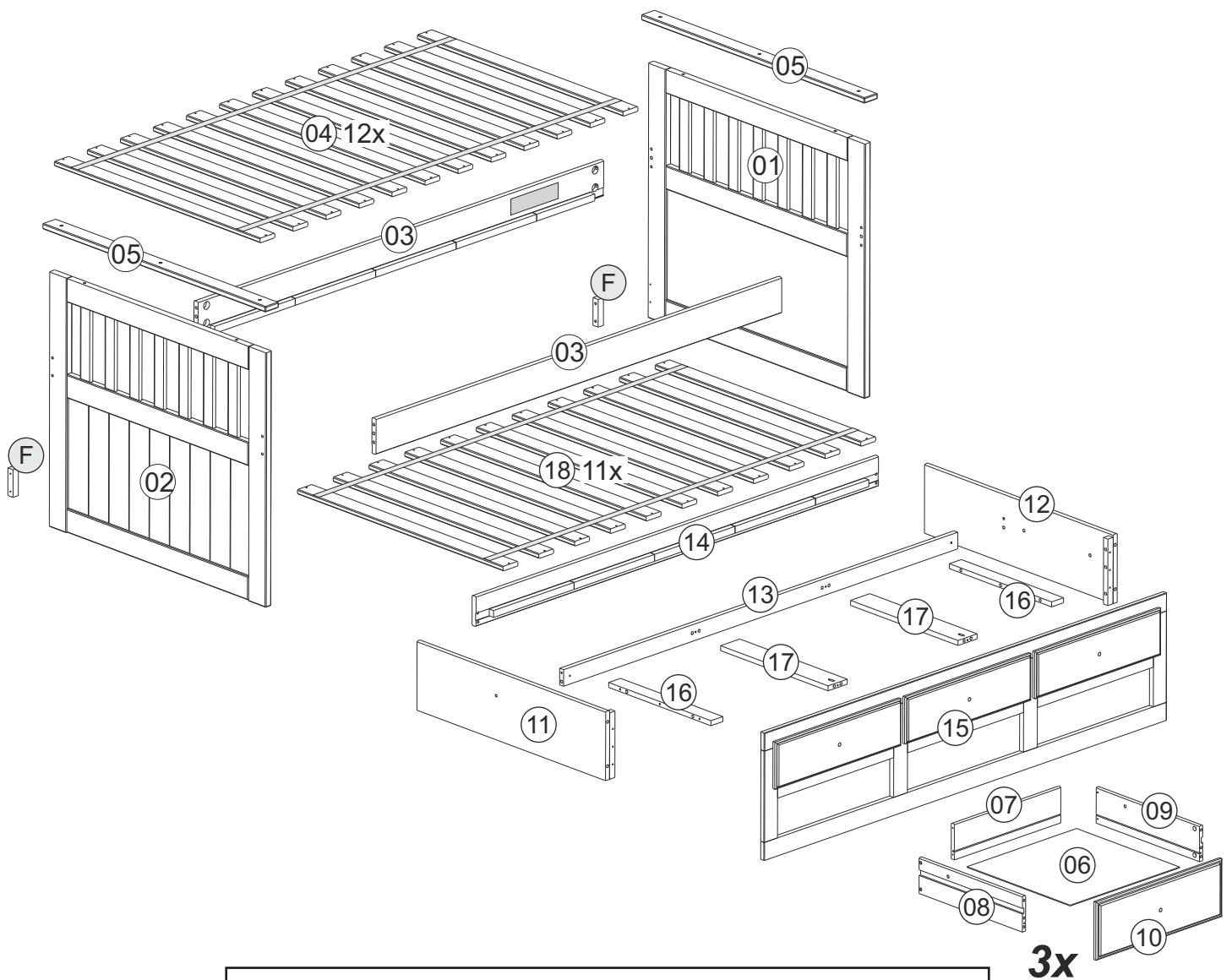


(Not included)



**IMPORTANT: PLEASE READ INSTRUCTIONS BEFORE STARTING THE ASSEMBLY**

# PART LIST: CAPTAINS BED TB600H

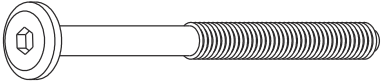


**CAUTION!**


**Please be careful when assembling this product, because the parts are extremely heavy. Also, please do not allow kids around when assembling this bed to avoid accidental injuries.**


- 01 - HEADBOARD
- 02 - FOOTBOARD
- 03 - SIDE RAIL ( 2 PIECES)
- 04 - SLATS
- 05 - TOP CROSSBEAM PLINTH
- 06 - DRAWER BOTTOM
- 07 - DRAWER BACK
- 08 - DRAWER LEFT SIDE
- 09 - DRAWER RIGHT SIDE
- 10 - DRAWER FRONT
- 11 - TRUNDLE BED LEFT SIDE
- 12 - TRUNDLE BED RIGHT SIDE
- 14 - TRUNDLE BACK RAIL
- 15 - TRUNDLE BED FRONT FRAME
- 16 - DRAWER WOODEN SIDE SLIDES
- 17 - DRAWER WOODEN CENTRAL SLIDES
- 18 - SLATS


**IDENTIFYING THE HARDWARE/PART LIST - IDENTIFY THE HARDWARE USING THE ILLUSTRATIONS BELOW.**

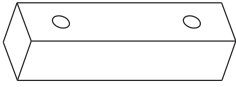
**A**  **Qty**  
**08**  
2 3/4" Bolt (1/4x70)

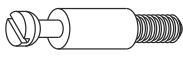
**B**  **Qty**  
**08**  
1/4 Nut

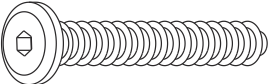
**C**  **Qty**  
**01**  
Allen key (4mm)

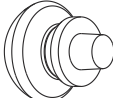
**D**  **Qty**  
**10**  
1 1/8" Wood Dowel (Ø8x30)

**E**  **Qty**  
**74**  
1 1/8" Screw (4,0x30)

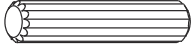
**F**  **Qty**  
**02**  
Trundle Bed Limiter


**G**  **Qty**  
**12**  
Minifix Screw


**H**  **Qty**  
**06**  
2" Screw (7,0x50)

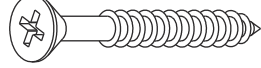
**I**  **Qty**  
**06**  
Knob


**J**  **Qty**  
**12**  
Minifix Drum

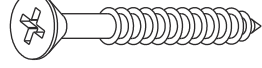
**L**  **Qty**  
**28**  
1 5/8" Wood Dowel (Ø10x40)

**M**  **Qty**  
**04**  
Caster

**N**  **Qty**  
**16**  
5/8" Screw (3,5x16)

**O**  **Qty**  
**10**  
2" Screw (4,5x50)

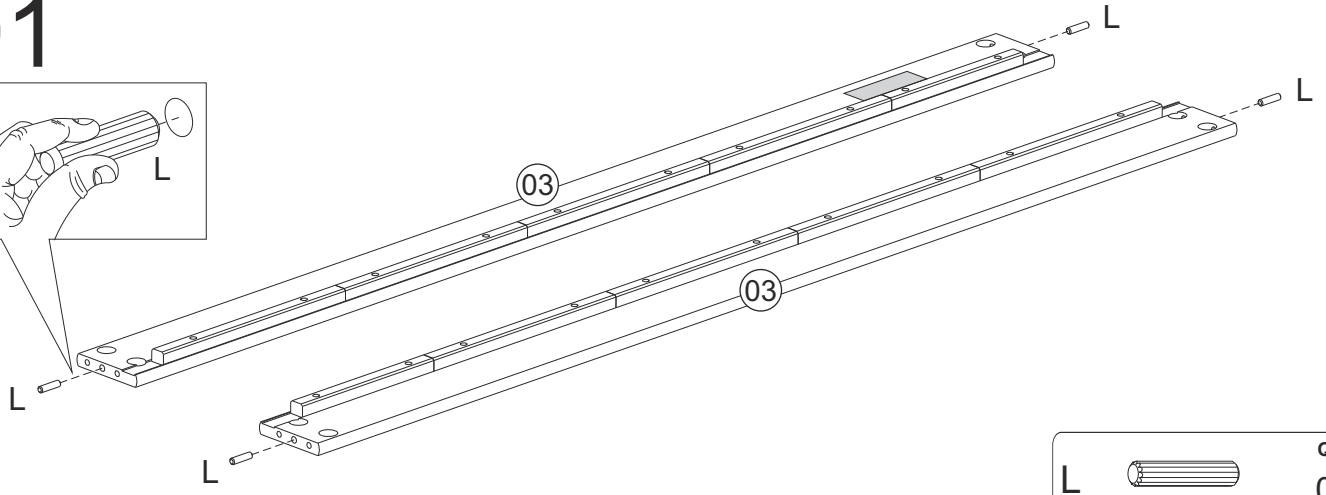
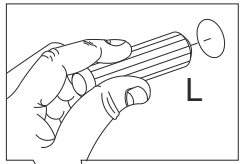
**P**  **Qty**  
**02**  
1 3/8" Screw (4,0x35)


**Q**  **Qty**  
**06**  
1 5/8" Screw (4,0x40)



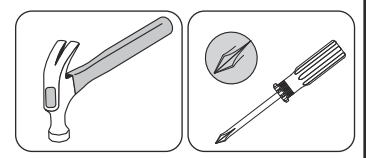
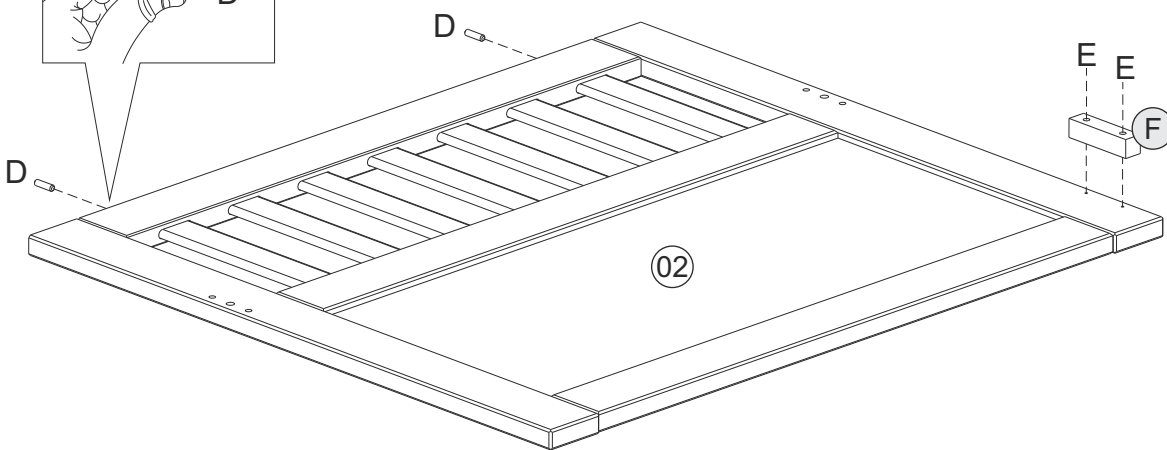
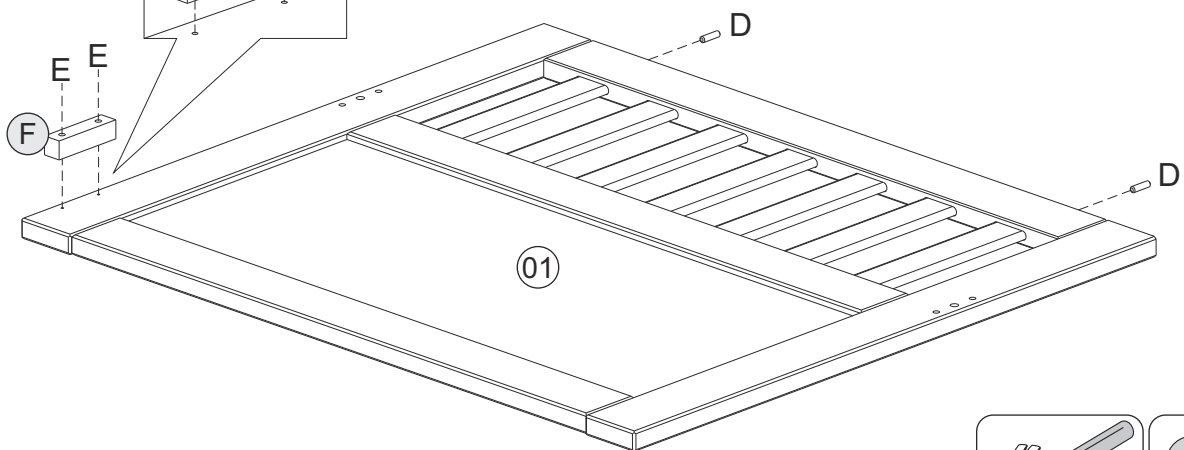
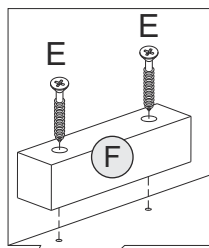
**ATTENTION! Bolts look like the same, but have different lengths. Please be sure to use the right ones, as it may make impossible the assembly.**


# 01





**L**  Qty **04**  
1 5/8" Wood Dowel (Ø10x40)

# 02

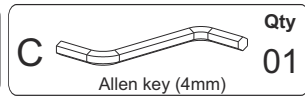
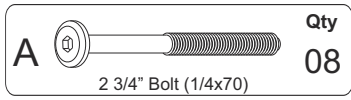
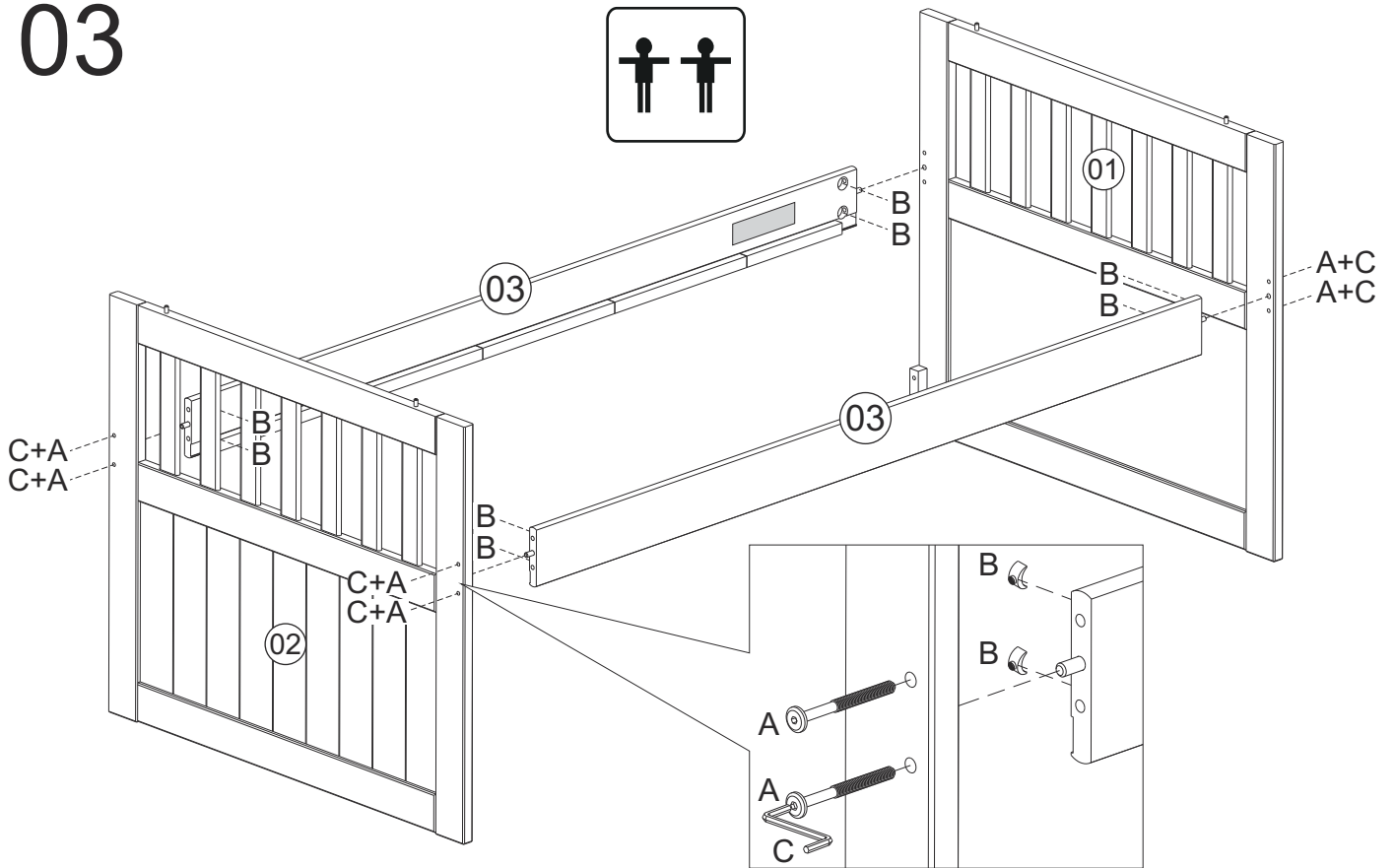
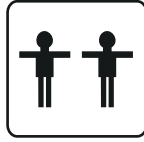


**D**  Qty **04**  
1 1/8" Wood Dowel (Ø8x30)

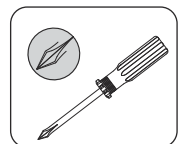
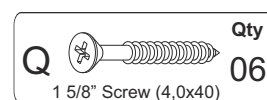
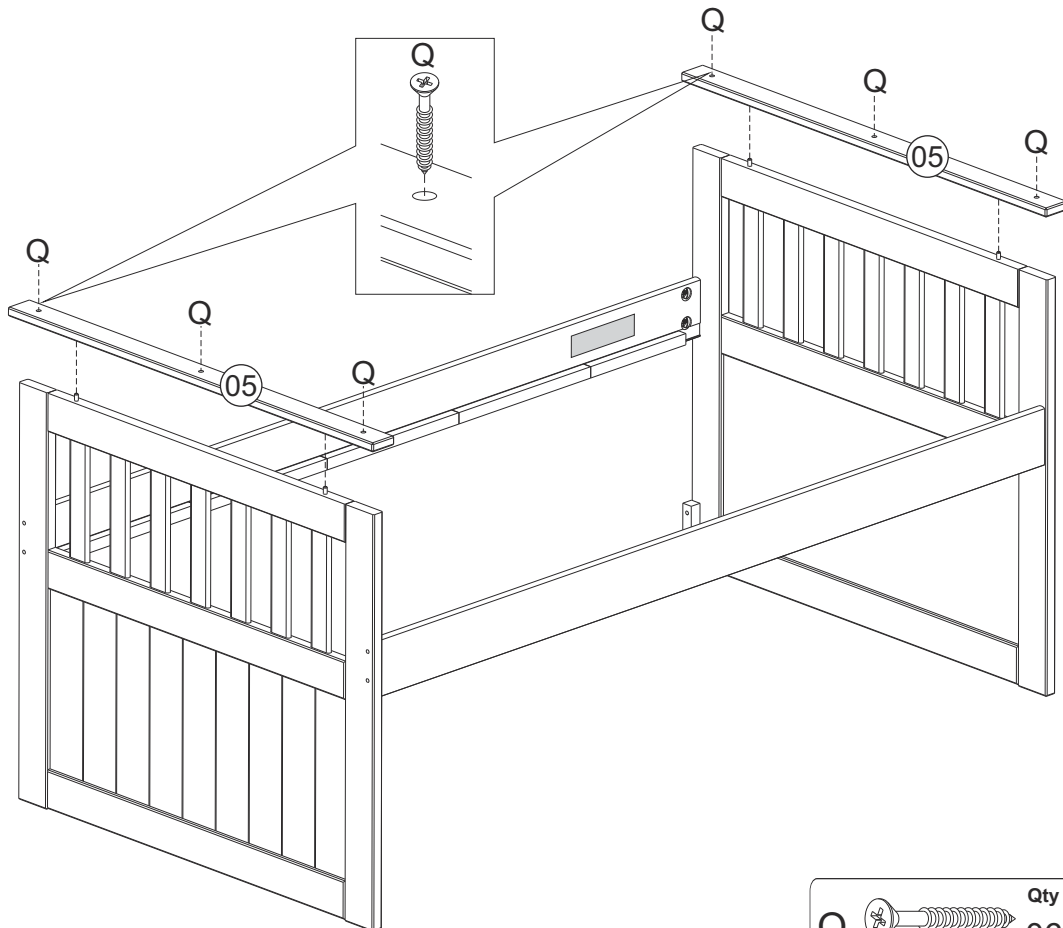
**E**  Qty **04**  
1 1/8" Screw (4,0x30)

**F**  Qty **02**  
Trundle Bed Limiter

# 03

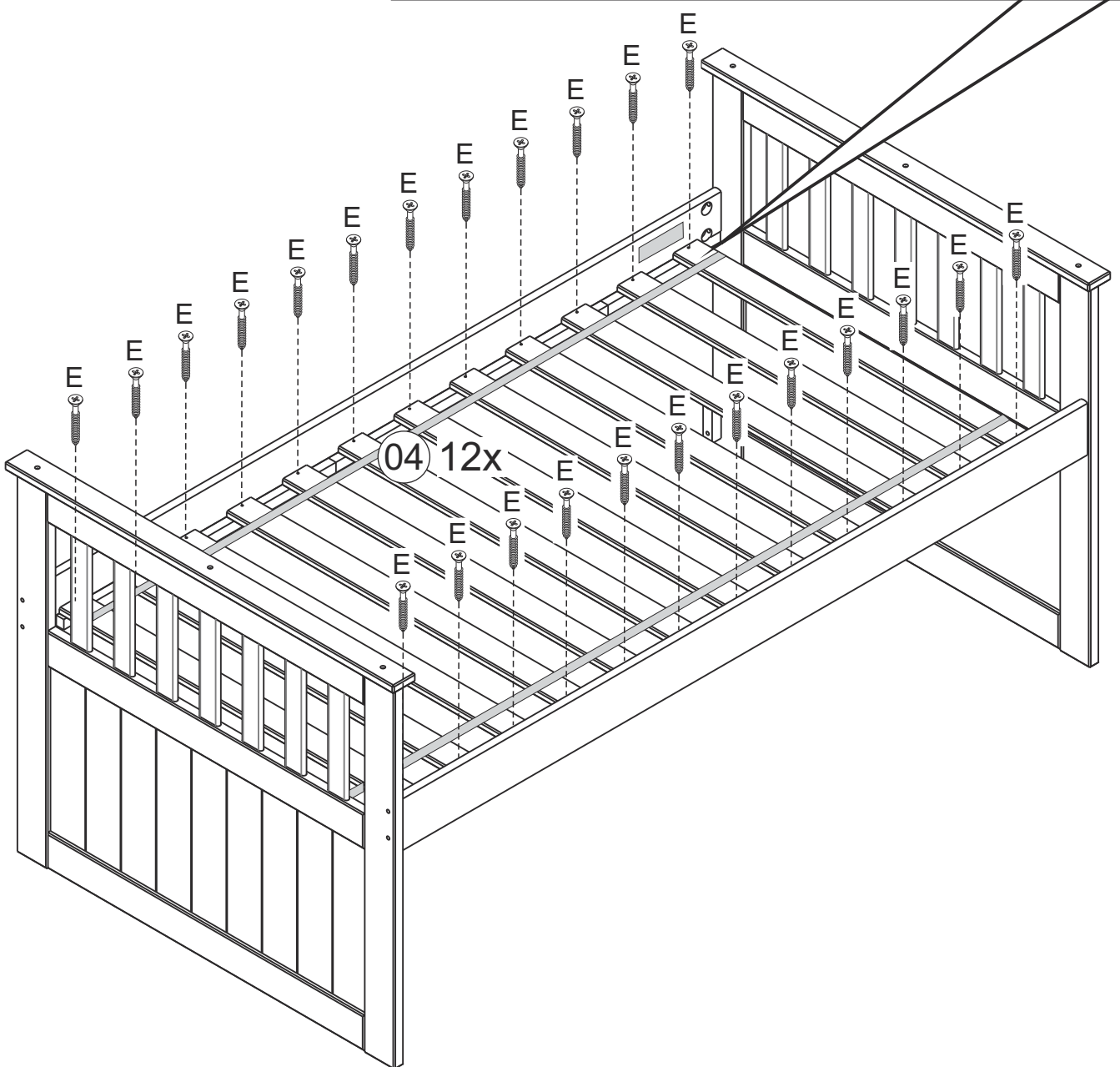
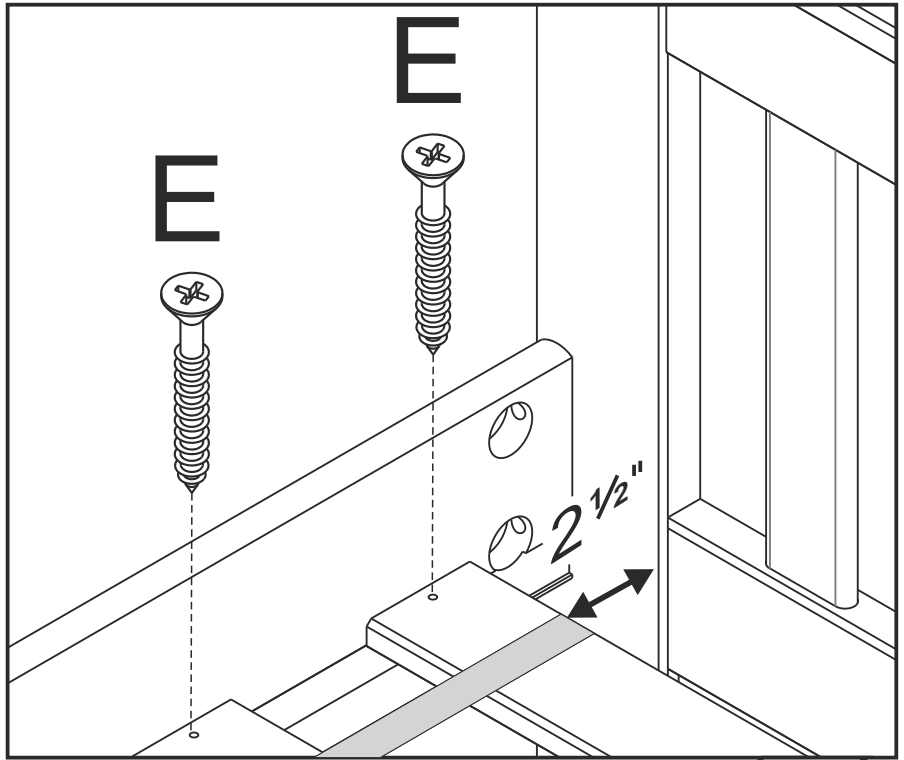
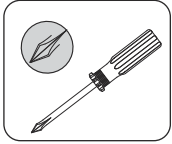


# 04



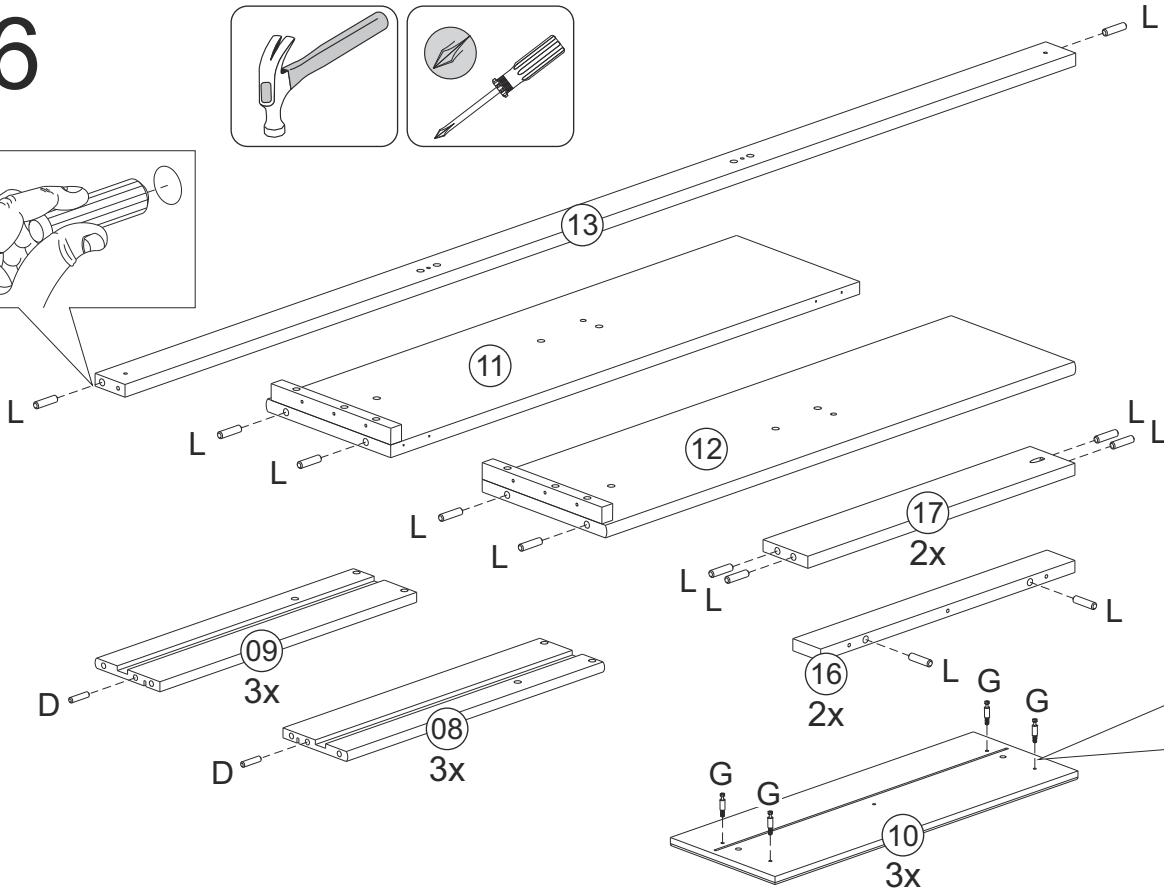
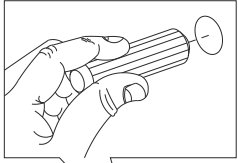
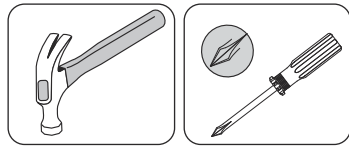
05


E Qty  
1 1/8" Screw (4,0x30) 24

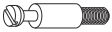





# 06

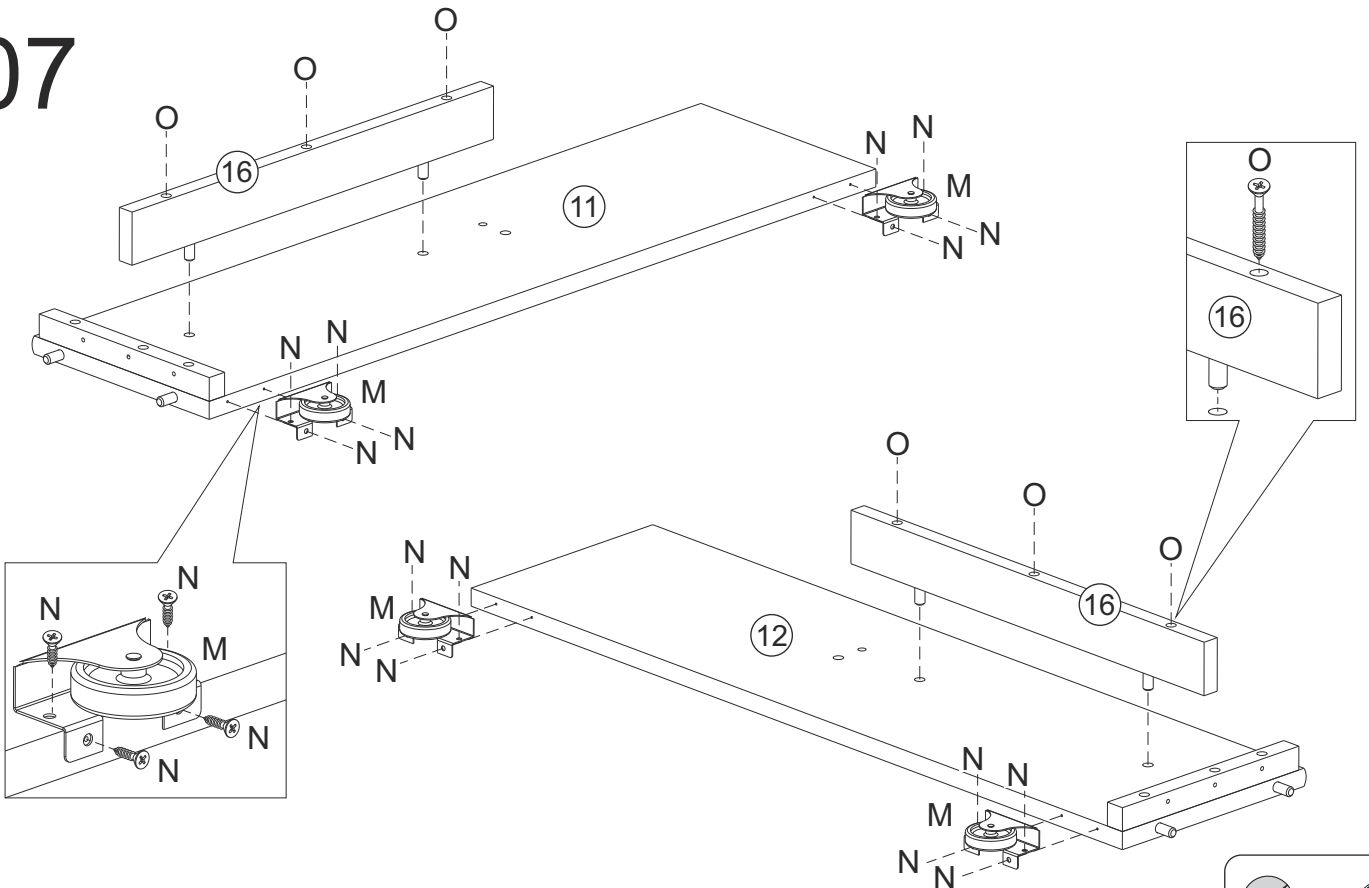



**D**  Qty **06**  
1 1/8" Wood Dowel (Ø8x30)


**G**  Qty **12**  
Minifix Screw


**L**  Qty **18**  
1 5/8" Wood Dowel (Ø10x40)

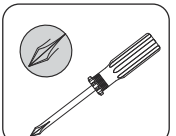
# 07



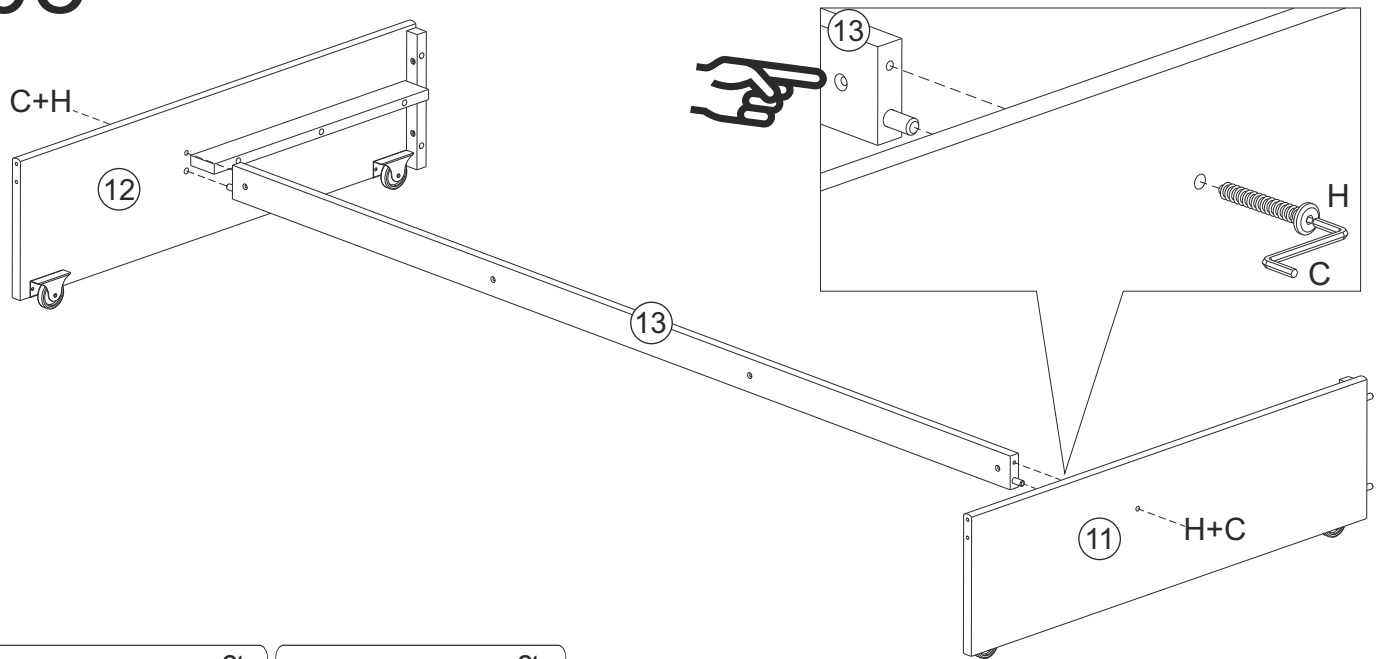
**M**  Qty **04**  
Caster

**N**  Qty **16**  
5/8" Screw (3,5x16)

**O**  Qty **06**  
2" Screw (4,5x50)

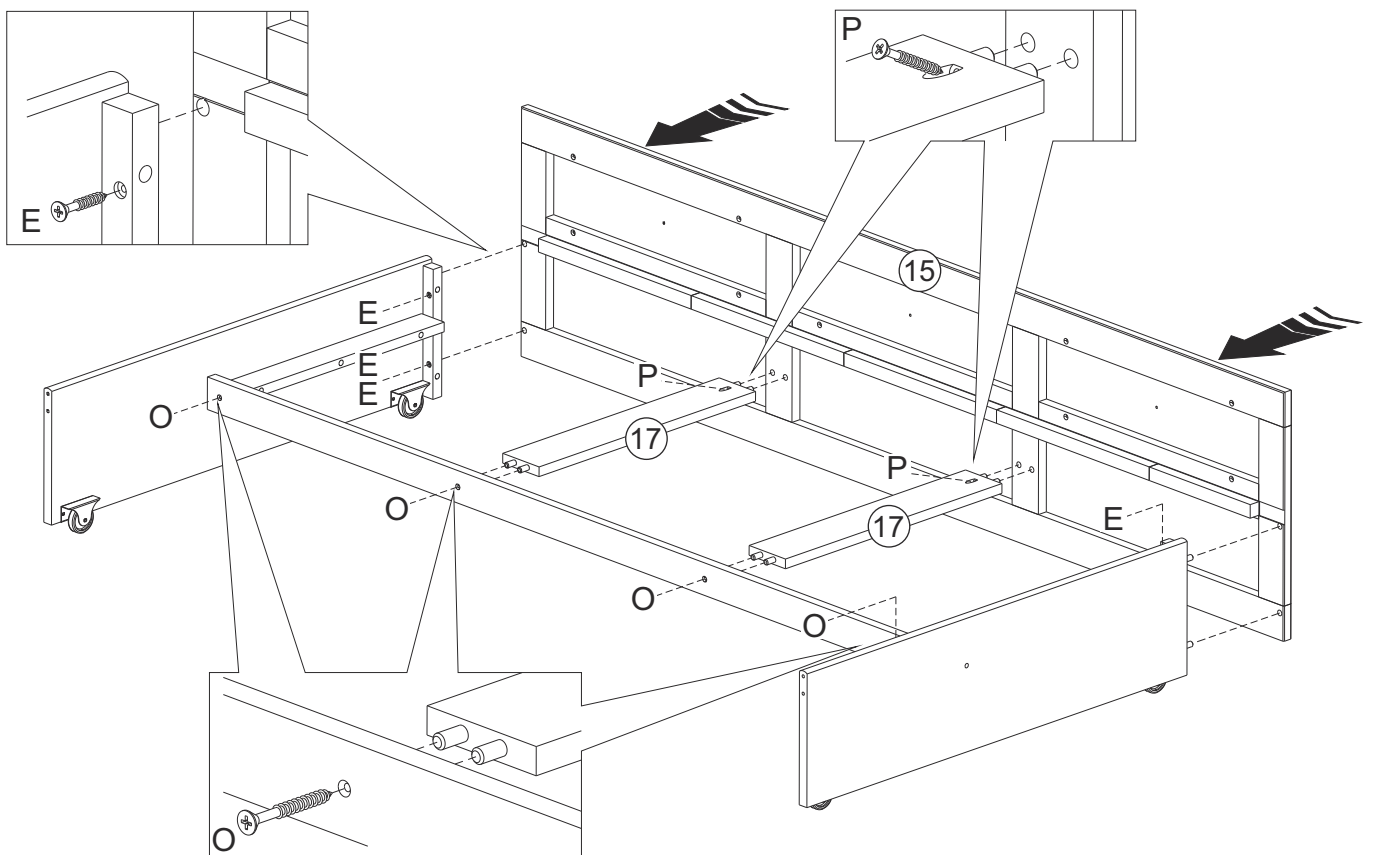


# 08



<b>C</b>		Qty	<b>H</b>		Qty
	Allen key (4mm)	<b>01</b>		2" Screw (7,0x50)	<b>02</b>

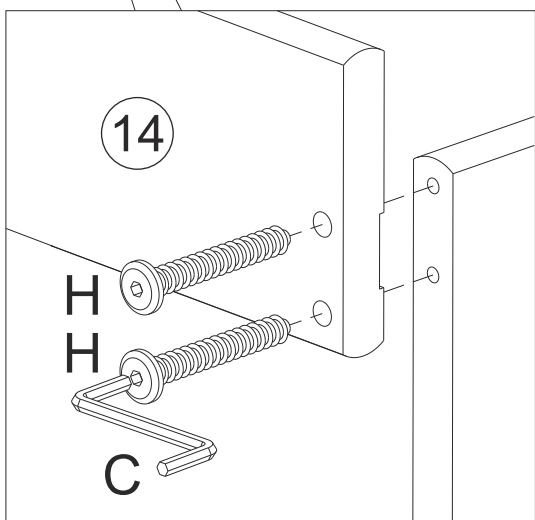
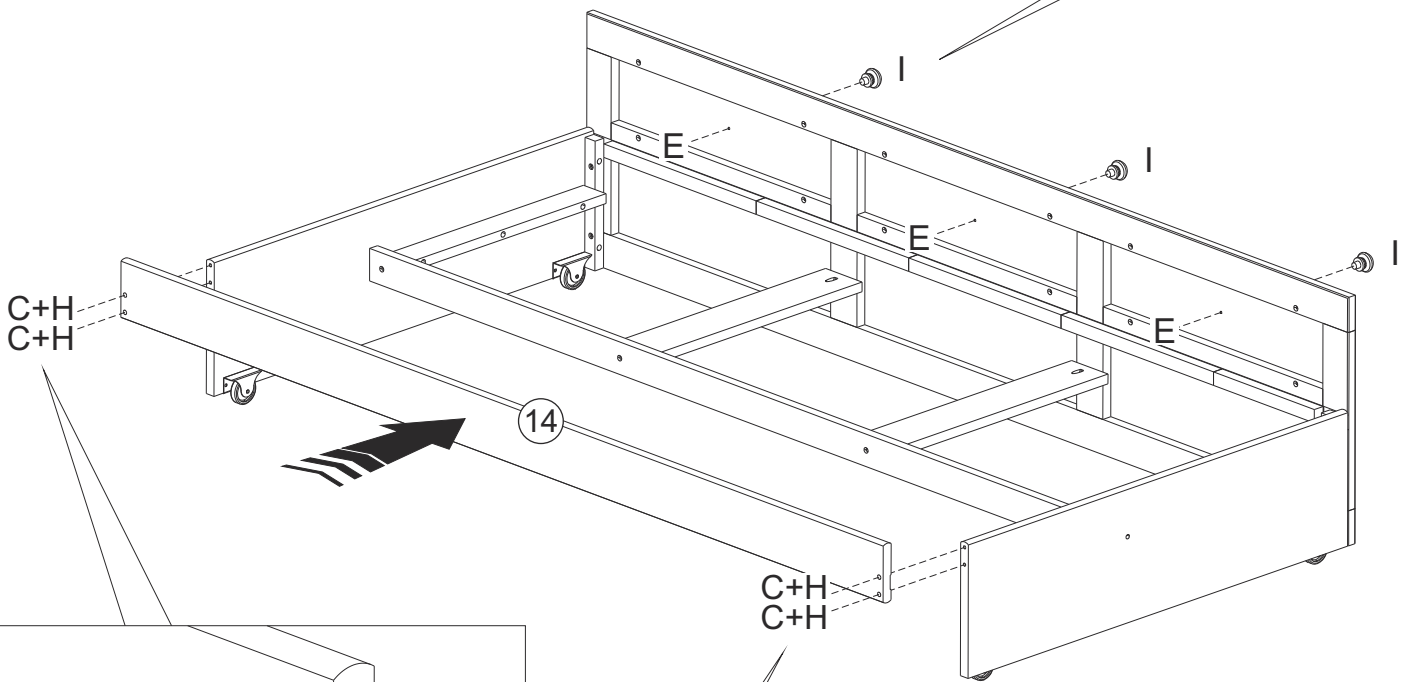
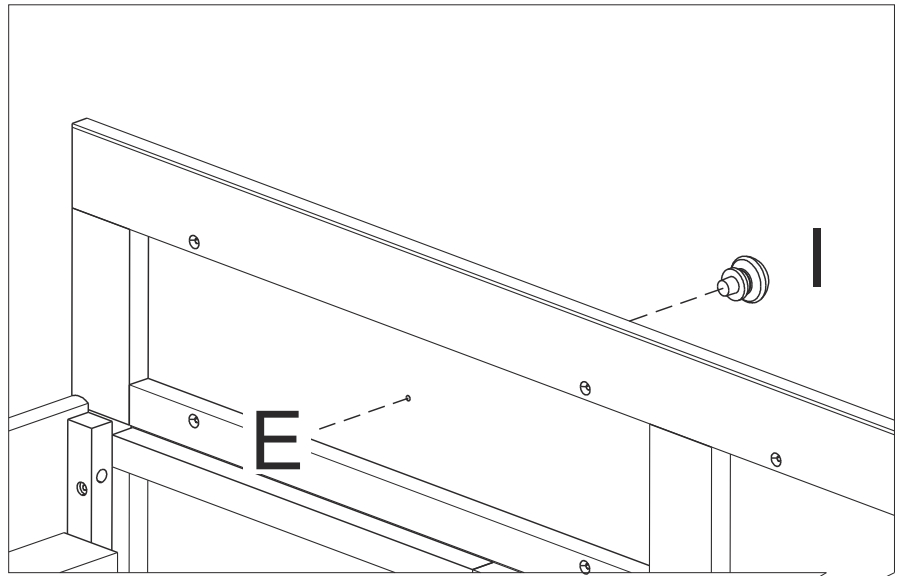
# 09



<b>E</b>		Qty	<b>O</b>		Qty	
	1 1/8" Screw (4,0x30)	<b>06</b>		2" Screw (4,5x50)	<b>04</b>	
<b>P</b>		Qty			<b>02</b>	
	1 3/8" Screw (4,0x35)					



# 10

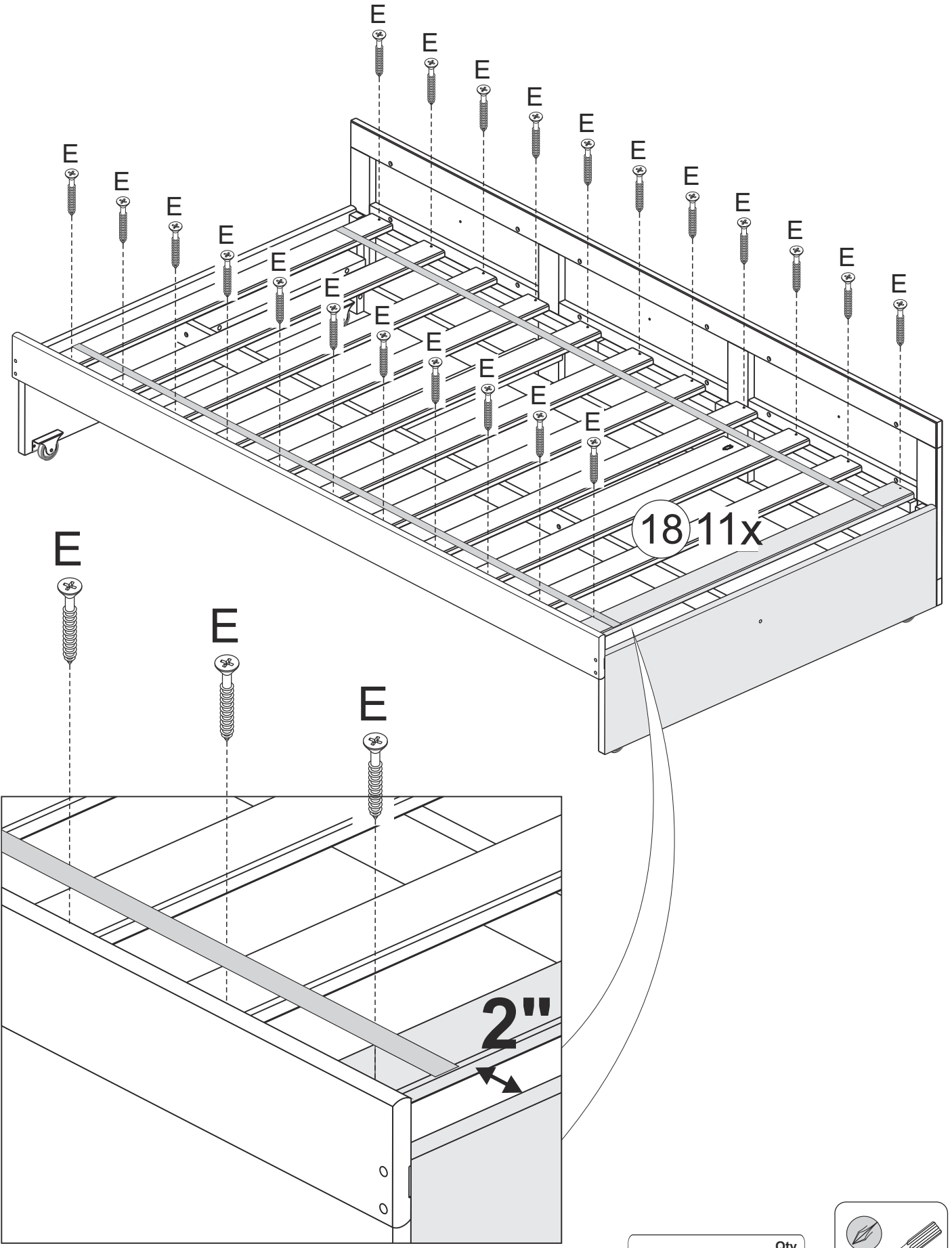



<b>C</b>		Qty <b>01</b>
Allen key (4mm)		

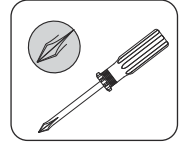
<b>E</b>		Qty <b>03</b>
1 1/8" Screw (4,0x30)		

<b>H</b>		Qty <b>04</b>
2" Screw (7,0x50)		

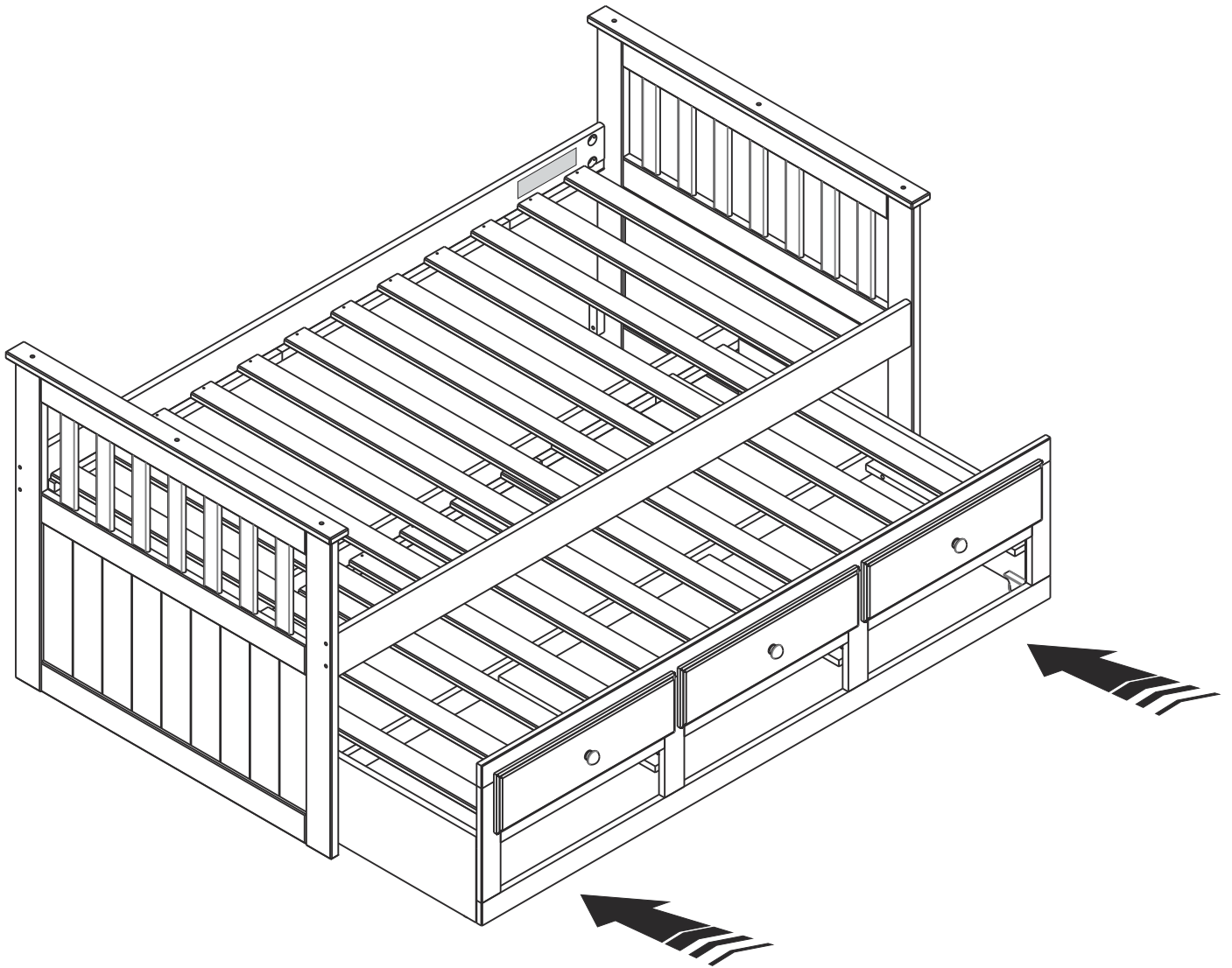
<b>I</b>		Qty <b>03</b>
Knob		



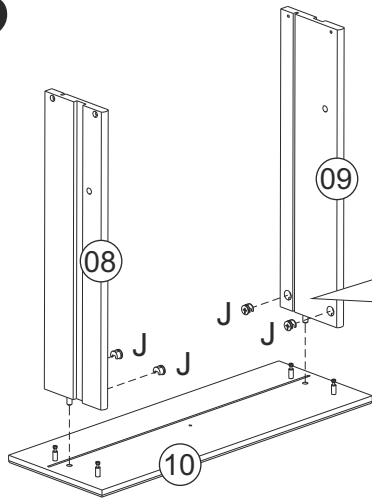
**E**  Qty  
1 1/8" Screw (4.0x30) 22



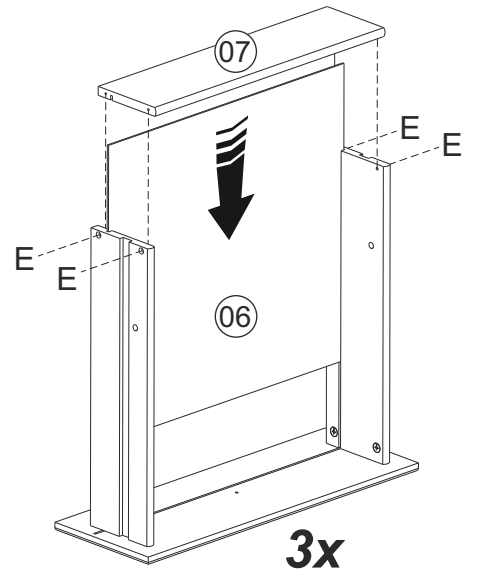
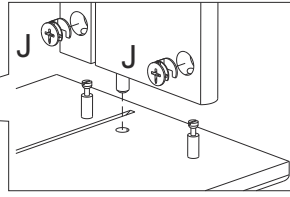
12



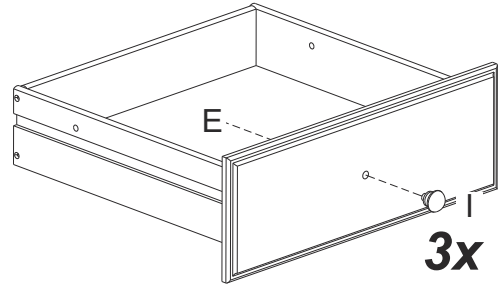
# 13



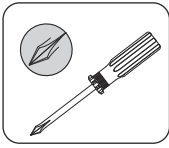
3x




3x



3x

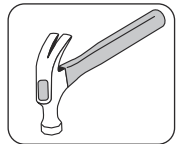
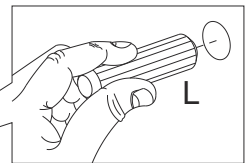
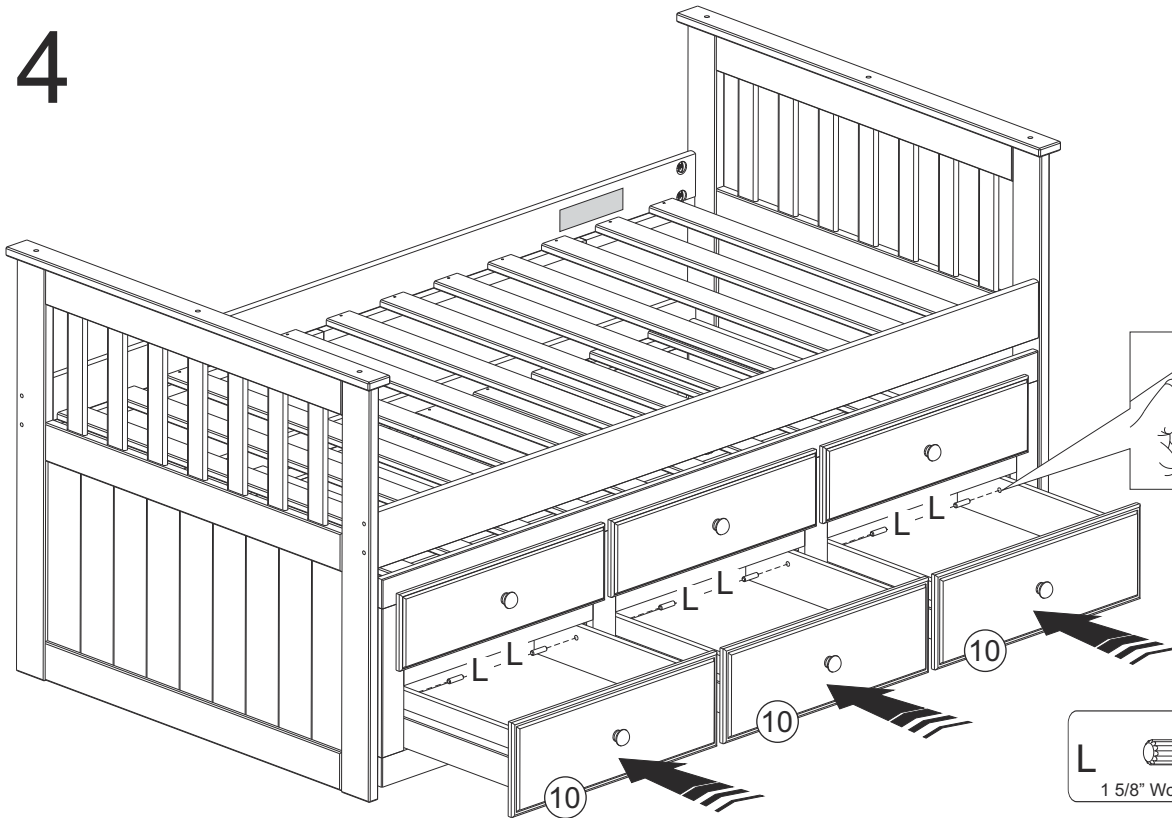



**E**  Qty 15  
1 1/8" Screw (4,0x30)

**I**  Qty 03  
Knob

**J**  Qty 12  
Minifix Drum

# 14



**L**  Qty 06  
1 5/8" Wood Dowel (Ø10x40)



APPROX. ASSEMBLED BED DIMENSIONS:  
L 78 1/2"  
W 42 1/2"  
H 37"