

NOTES: UNLESS OTHERWISE SPECIFIED.

1. LABEL PER CUSTOMER SPECIFICATION
2. CONNECTIONS POLARITY :



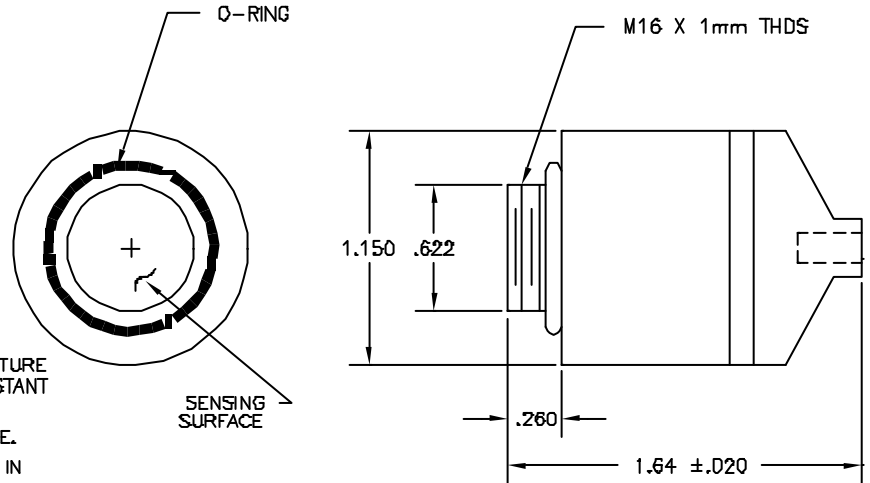
MATING PLUG- MOLEX P/N:
22-01-3037 OR
22-01-2037

NOT FOR CUSTOMER CONNECTION

3. TEMPERATURE COMPENSATION ERROR IS $\pm 5\%$ OF FULL SCALE OVER THE OPERATING TEMPERATURE RANGE. WORST CASE TRACKING ERROR (WITHIN THE FIRST HOUR AFTER A MAXIMUM TEMPERATURE STEP) IS $\pm 7.5\%$ OF FULL SCALE. (GAS SAMPLES MUST BE BROUGHT TO AMBIENT TEMPERATURE) PERCENT READOUT IS ONLY WITHIN $\pm 1\%$ AT CONSTANT PRESSURE (E.G. A 10% INCREASE IN PRESSURE WILL RESULT IN A 10% INCREASE IN READING).
4. ASSEMBLY TO BE PACKAGED IN A GAS BARRIER BAG.
5. ASSEMBLY MANUFACTURED AND TESTED AND MPD-61679.

SPECIFICATIONS:

- 1) OUTPUT - (7-13MV) IN AIR AT 25 °C, SEA LEVEL.
- 2) RANGE - 0-1 ATM PO₂, 0-2 ATM PO₂.
- 3) ACCURACY - WITHIN $\pm 1\%$ OF FULL SCALE AT CONSTANT TEMPERATURE AND PRESSURE (0-1 ATM), $\pm 2\%$ FULL SCALE AT CONSTANT TEMPERATURE AND PRESSURE (0-2 ATM PO₂).
- 4) RESPONSE TIME - LESS THAN 6 SECONDS FOR 90% OF FINAL VALUE.
- 5) OFFSET - LESS THAN 0.5% OF OXYGEN EQUIVALENT AT 25°C (77°F) IN ZERO GAS AFTER 36 SECONDS.
- 6) HUMIDITY - 0 TO 99% R.H. (NON-CONDENSING).
- 7) OPERATING TEMPERATURE RANGE - 0 TO 40 °C (32 TO 104 °F).
- 8) STORAGE TEMPERATURE - 0 TO 50 °C (32 TO 122 °F).
- 9) AVG. EXPECTED CELL LIFE - 36 MONTHS IN AIR AT 25 °C AND 50% R.H.
- 10) SHELF LIFE: 24 MONTHS.
- 11) WEIGHT - 1.2 OZ (32 GRAMS).
- 12) LOAD - 10K REQUIRED.



REVISIONS				
REV	DESCRIPTION	DATE	APP.	REV.
0	INITIAL RELEASE 00-0270			---

ITEM	QTY	PART No.	DESCRIPTION	
BILL OF MATERIAL				
DO NOT SCALE DWG		THIS DRAWING IS THE PROPERTY OF TELEDYNE ANALYTICAL INSTRUMENTS AND CONTAINS CONFIDENTIAL INFORMATION. IT IS NOT TO BE COPIED, REPRODUCED OR USED WITHOUT WRITTEN PERMISSION.		
TOLERANCE UNLESS OTHERWISE SPECIFIED: ANGULAR $\pm 1/2^\circ$		 Teledyne Analytical Instruments A business unit of Teledyne Electronic Technologies CITY OF INDUSTRY, CALIFORNIA 91748		
LINEAR { X = ± 0.1 XX = ± 0.02 XXX = ± 0.005				
SIGNATURES				DATE
S/			TITLE	
N/	DRFT: D. GOWSA	7-6-88	SPEC. CONTROL DWG. OXYGEN SENSOR CLASS R22D	
I/	CHK:			SCALE 2 : 1
P/	APPR:			SIN
G/	ENGR: M. GONZALEZ			SHEET 1 OF 1
F/	SEC:			
REFERENCE	CAD I.D. E72149-B		MATL: ---- DWG NO: B-72149 REV: 0	