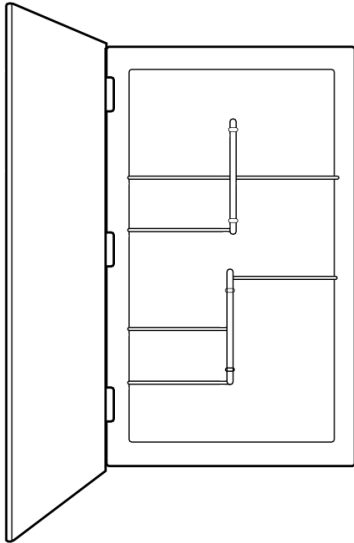


# USE AND CARE GUIDE

## All 26 x 16 Size Models

HomeSelects™



### HARDWARE INCLUDED



**NOTE:** Hardware not shown to actual size.



Part	Description	Quantity
AA	Mounting screw	4

## Pre-Installation

### PLANNING INSTALLATION

This medicine cabinet is designed for recessed installation in a standard wall opening 14 in. wide, 24 in. or 34 in. high, and 3½ in. (or more) deep.

### TOOLS REQUIRED



Pencil



Safety goggles



Phillips screwdriver



Level



Tape measure



Stud finder



Drill



.078 Drillbit

## Safety Information

Read and understand these instructions before you install this product.

- The maximum weight capacity for this medicine cabinet is 25 lbs.



**CAUTION:** Risk of electric shock. Electrical wiring may need to be relocated if installing in a new location. Please consult a qualified electrician.

**NOTICE:** Any electrical or plumbing obstructions should be removed or relocated by qualified trade personnel in strict compliance with all applicable building codes.

Questions, problems, missing parts?

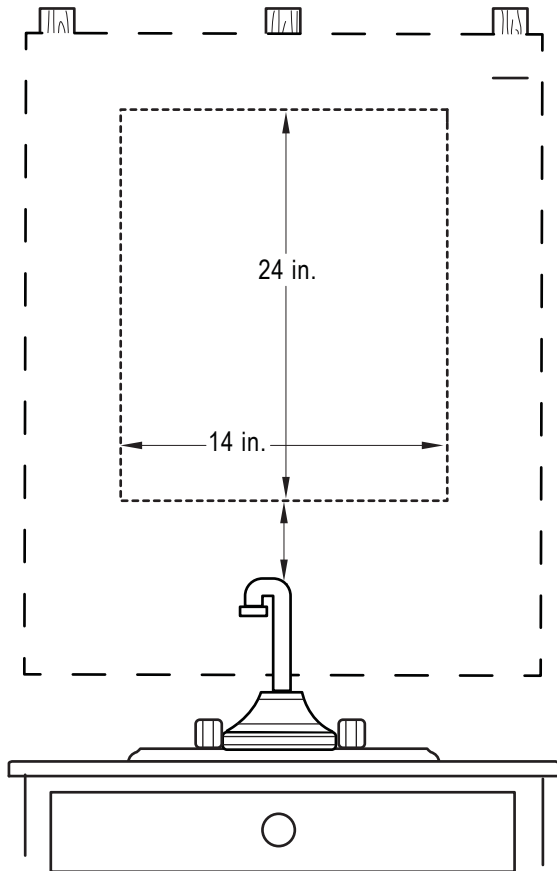
Please contact HomeSelects Customer Service  
Service@HomeSelects.com  
Toll Free - 888-770-4910

# Installation

## 1 Preparing for installation

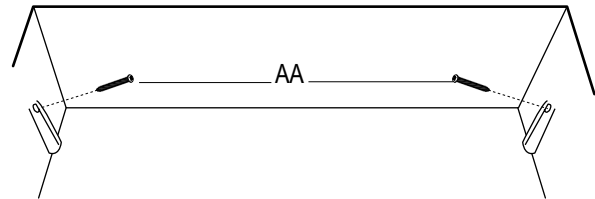
**NOTICE:** Any electrical or plumbing obstructions should be removed or relocated by qualified trade personnel in strict compliance with all applicable building codes.

- To replace an existing cabinet, remove the old cabinet and verify that the wall opening is 14 in. wide, 24 in. high, and 3½ in. (or more) deep. Proceed to step 2 if these dimensions are correct.
- For a new installation, select a wall opening site that is centered between wall studs that are positioned 16 in. on center. Use a stud finder to locate the studs.
- The center of the wall opening is commonly located 60 in. above the floor. Alter this dimension to suit individual needs or to facilitate clearance between the top or bottom of the hinged mirror and obstacles such as counter top, faucet, electrical outlet, light fixture, ceiling, etc.
- Mark and cut the 14 in. wide x 24 in. high wall opening. Use a level to ensure the cut lines are level before you begin cutting the wall.



## 2 Mounting the cabinet

- Place the cabinet in the wall opening with the top of the cabinet body return flange held fully against the wall. Noting that the mounting system inside the cabinet positions the mounting screws (AA) at a 15° angle, install two screws (AA) in the upper mounting holes inside the cabinet. Use only the screws provided (do not use nails). Do not fully tighten the screw heads into the nests at this time; leave approximately ¼ in. of thread exposed. To assist with the installation, mark and drill .078 in. diameter pilot holes (at the 15° angle) into the studs and/or coat the screw threads with soap.
- Install two screws (AA) in the lower mounting holes. Leave ¼ in. of the thread exposed.
- Some walls are not flat and plumb. Using a carpenter's level, adjust as necessary to level the cabinet as viewed facing the cabinet and viewed from the side. Check the fit of the cabinet door to the cabinet body flange. Correct any gap between the door and body by shimming as necessary between the wall and the body flange at the corner diagonally opposite the gap. (Example: If the gap is top/right, shim bottom/left). Adjust the shim thickness for cross-axis alignment to achieve a satisfactory fit between the door and body.
- Tighten all four mounting screws (AA) until the screw heads are just seated in their nests. **DO NOT OVERTIGHTEN!**



Questions, problems, missing parts?

Please contact HomeSelects Customer Service  
Service@HomeSelects.com  
Toll Free - 888-770-4910