



It's Time to Make Gate Safety a PrioritySM

Monitored Wireless Edge Systems

LMWEKITU LMWETXU



Monitored Wireless Edge Kit (LMWEKITU)



Monitored Wireless Edge Transmitter (LMWETXU)

Ultimate Scalability with Our Monitored Wireless Edge Solution

Monitored Wireless Edge Kit (LMWEKITU) provides unmatched ease of installation and reliability in virtually all environmental conditions. **Monitored Wireless Edge Transmitter (LMWETXU)** ensures flexibility to expand protection of your system up to 8 entrapment zones.

FEATURES:

- Multi-channel Bluetooth[®] transmission eliminates interference and provides up to 130 ft. range
- High-capacity edge receiver accepts up to (4) transmitters, and each transmitter accepts up to (2) wired edges
- Each transmitter features two unique configurable open/close edge inputs
- Integrated diagnostics with our 2016 UL 325 Gate Operators
- Industry-leading low-energy Bluetooth[®] technology is extremely power efficient with two-year battery life

LIFTMASTER[®] PERIMETER ACCESS SYSTEM

LiftMaster's full line of safety entrapment protection accessories are tested and proven to work together with our gate operators as a complete UL 325 compliant system.



LiftMaster[®]



Unrivaled Performance, Safety and Accessibility

LiftMaster's Monitored Resistive Wireless Edge Kit and Monitored Resistive Edges work together as a UL 325 compliant system, providing superior features and expandability, ensuring all your gate applications' entrapment zones are safe and protected.

High-capacity edge system that can handle (2) wired monitored edges per transmitter, (4) transmitters per receiver

Each transmitter features (2) unique configurable open/close monitored edge inputs

Non-polarized edge inputs for ease of installation

Fast and easy to pair transmitter and receiver via smart button

Integrated low-battery indicator on gate operator beeps with each activation when battery is low

Status LED indicates device learned or edge activated

Multi-channel monitored communication between transmitter/receiver ensures maximum safety entrapment protection and reliability

Rated NEMA 4X to withstand tough outdoor environments



Factory Assembled Monitored Resistive Edges Wrap Around Style for Slide Gates

Ideal for residential and commercial slide gate applications to protect entrapment zones. Easily secures to gate posts for long-lasting stability and reliability.

Wrap Around Profile – ROUND

Dimensions: 3.8" W x 2.8" H
for 1.6 – 2.3 in. round posts

Wrap Around Round Edge 4 ft. (WR4)
Wrap Around Round Edge 5 ft. (WR5)
Wrap Around Round Edge 6 ft. (WR6)

Wrap Around Profile – SQUARE

Dimensions: 3.8" W x 2.6" H
for 2 in. square posts

Wrap Around Square Edge 4 ft. (WS4)
Wrap Around Square Edge 5 ft. (WS5)
Wrap Around Square Edge 6 ft. (WS6)

Square
Profile

Round
Profile



Large Profile

Small Profile

Factory Assembled Monitored Resistive Standard Edges in Aluminum Channel

Ideal for commercial and residential applications to protect entrapment zones. Pre-assembled means an easier installation, saving you time and money.

Large Profile Edge

Dimensions: 1.8" H x 1" W

Large Profile Edge 4 ft. (L504AL)
Large Profile Edge 5 ft. (L505AL)
Large Profile Edge 6 ft. (L506AL)

Small Profile Edge

Dimensions 1.2" H x 1" W

Small Profile Edge 4 ft. (S504AL)
Small Profile Edge 5 ft. (S505AL)
Small Profile Edge 6 ft. (S506AL)

Customize Your Own LiftMaster® Monitored Resistive Standard Edge

Ideal when you need to cut to length while on the job, no lead time. Assemble edge within minutes with easy plug-in system, no glue is required.



Aluminum
Channel

Plastic
Channel

1. Choose the profile that fits
your application needs.

Large Profile Edge 82 ft. Roll (L50)
Small Profile Edge 82 ft. Roll (S50)

2. Pick the end caps.

End Caps for L50 (L50E)

- Universal two-wire configuration
- Shipping weight: 1.3 lbs.
- Pack of 10 pairs

End Caps for S50 (S50E)

- Universal two-wire configuration
- Shipping weight: 1.2 lbs.
- Pack of 10 pairs

3. Select the mounting channel.

(Fits Large and Small Profile Edges)

Aluminum Channel 10 ft. (L50CHAL)

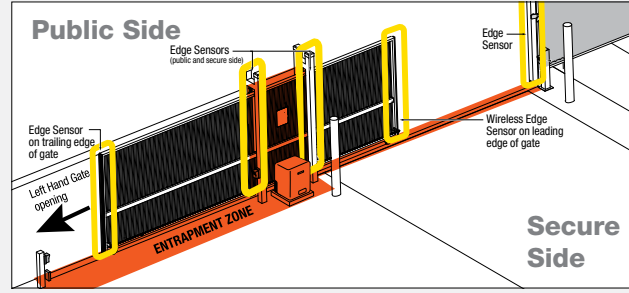
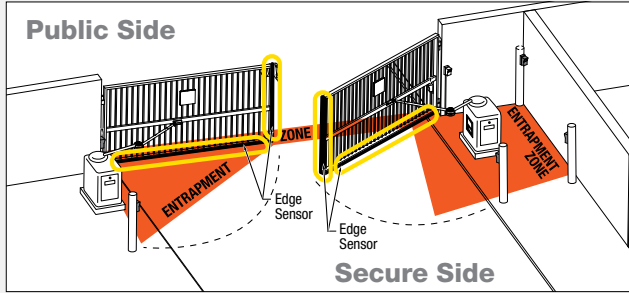
- 0.55" H x 1" W
- Shipping weight: 18 lbs.
- Pack of 8

Plastic Channel 8 ft. (L50CHP)

- 0.55" H x 1" W
- Shipping weight: 9 lbs.
- Pack of 10

LMWEKITU LMWETXU

COMMON ENTRAPMENT ZONES



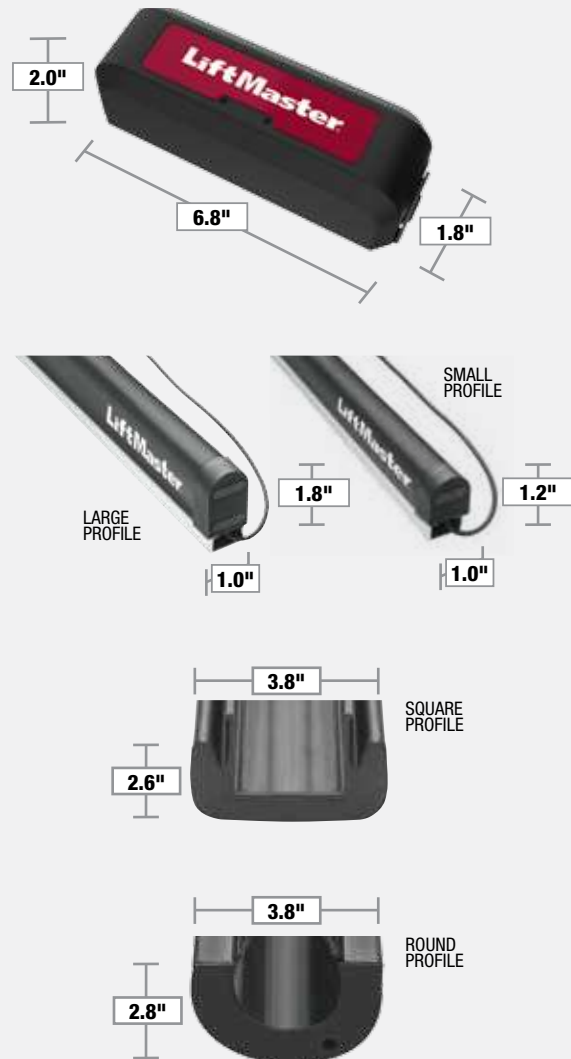
- Possible Entrapment Zones
- Edge Sensor: Monitored Wireless Edge Kit and Monitored Profile Edge

Swing Gate Site

Slide Gate Site



FEATURE	MONITORED WIRELESS EDGE KIT (LMWEKITU)	MONITORED WIRELESS EDGE TRANSMITTER (LMWETXU)
Long-Range Sensing Distance:	130 ft. (39.6m)	
Outdoor Rating:	NEMA 4X	
Diagnostics:	Integrated with our 2016 UL 325 Gate Operators	
Temperature Range:	-40°F to 149°F (-40°C to 65°C)	
Product Dimensions:	6.8" H x 2" W x 1.8" D	
Voltage:	6.8VDC	N/A
Current Draw:	Receiver: 5.8mA for a 24V system, 12.0mA for a 12V system	N/A
Wiring:	Receiver: Connects directly to main or expansion board (harness included), does not require separate power.	Connect resistive edges to open/close edge inputs on transmitter. Polarity not important when wiring in edges.
Inputs:	Receiver accepts up to (4) transmitters. 1 receiver per gate operator.	(2) unique configurable open/close edge inputs
Solar:	Compatible, 12mA power draw	
Low-Battery Indication:	Gate operator beeps twice when transmitter battery is low	
Battery Life:	Two Year Life, (AA) Lithium Battery	
Shipping Weight:	3.3 lbs.	0.9 lb.
Compatibility:	All LiftMaster® Gate Operators with burgundy boards and LiftMaster Monitored Resistive Edges ONLY	
LED Indication:	Transmitter: Red – flashes if edge is contacted or obstructed Receiver: Blue – powered, Red – flashes if edge is contacted or obstructed, and solid during learn process when transmitter is learned in	Transmitter: Red – flashes if edge is contacted or obstructed
Carton Contents:	(1) Transmitter, (1) Receiver, (2) AA Lithium Batteries, (1) Interface Board, Mounting Bracket Hardware	(1) Transmitter, (2) AA Lithium Batteries, Mounting Bracket Hardware
Warranty:	Two Years	



Only LiftMaster Monitored Photo Eyes or Edge Sensors may be used with LiftMaster Operators to meet the 2016 UL 325 Standards.