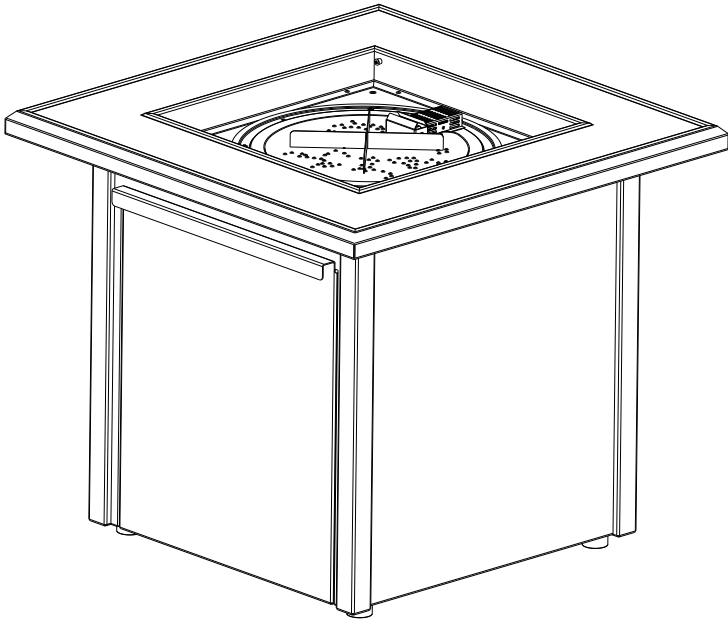




THE OUTDOOR  
GREATROOM  
COMPANY

## Vaughn Fire Table

Installation Instructions for Vaughn Fire Table  
VGHN-GR-K and VGHN-WT-K







## IMPORTANT



Please consult your Crystal Fire® Plus instruction manual for detailed instructions and important information related to the burner installation including: lighting and operating instructions, safety information, and proper tightening of connections with two wrenches.

**DO NOT ATTEMPT TO INSTALL CRYSTAL FIRE® PLUS BURNER WITHOUT CONSULTING THE CRYSTAL FIRE® PLUS OWNER'S MANUAL.**

## CONTENTS

---

1. About Your Fire Table .....	3
a. Required Tools	
b. Included With Your Fire Pit	
2. Assembly Instructions .....	4
a. Unpacking	
b. CF-SPARKER Installation	
c. Tabletop Assembly	
3. Setting Up Your Burner .....	6
a. Gas Control Installation	
b. Thermocouple Installation	
c. Electrode Installation	
d. Securing Burner	
e. Propane Tank Installation	
4. Miscellaneous .....	10
a. Tabletop Insert Installation	
b. Fire Media Installation	
c. Burner Cover Installation	
5. Operating Instructions .....	12
6. Warnings .....	13

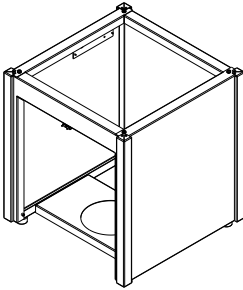
# 1. ABOUT YOUR FIRE TABLE

## A. REQUIRED TOOLS

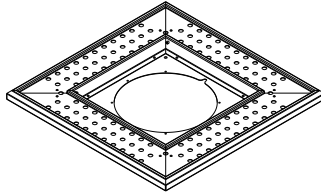
- Utility Knife  
To cut and remove packaging
- Two (2X) Adjustable Ended Wrenches  
To secure gas connections
- 10mm wrench  
To secure thermocouple to gas valve
- Phillips Screw Driver *(Do not use a drill to assemble)*  
For assembly of table components
- One (1X) AAA Battery *(Not Included)*  
Required for electric spark igniter installation

## B. INCLUDED WITH YOUR FIRE PIT

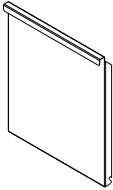
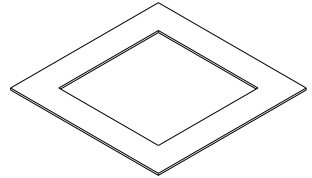
(1X) Base Assembly  
(70134)



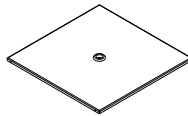
(1X) Table Top  
(70131)



(1X) Table Top Insert  
(50032-GR or 50032-WT)



(1X) Access Door  
(10489)



(1X) Burner Cover  
(70032)



(4X) #8-32 X 3/8"  
Phillips Machine Screws



(4X) 1/4"-20 X 3/4"  
Phillips Machine Screws

(4X) #8-32  
Hex Flange Nuts



(1X) BI16 Burner Assembly

Refer to *Crystal Fire® Plus* manual for items included with *Crystal Fire® Plus* burners



## 2. ASSEMBLY INSTRUCTIONS

### **WARNING**

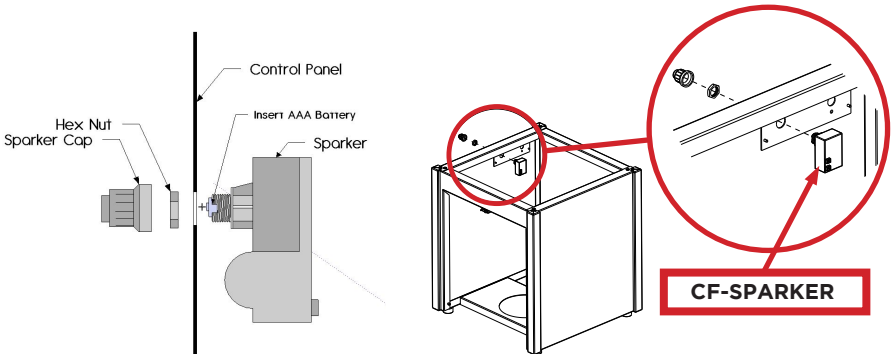
Exposed edges may be sharp, use leather gloves when removing packaging and handling the base. Do not remove protective cardboard packaging until you have placed the fire pit in its desired location.

### A. UNPACKING

- Do not discard any packaging until assembly is complete and unit is tested. Keep all included manuals in a safe place for future reference.
- Access door and burner are packaged inside of the base in individual boxes.
- Keep the tabletop insert in the box on a flat surface to prevent damage during assembly process.
- Keep all BI16 burner components together during the assembly process.

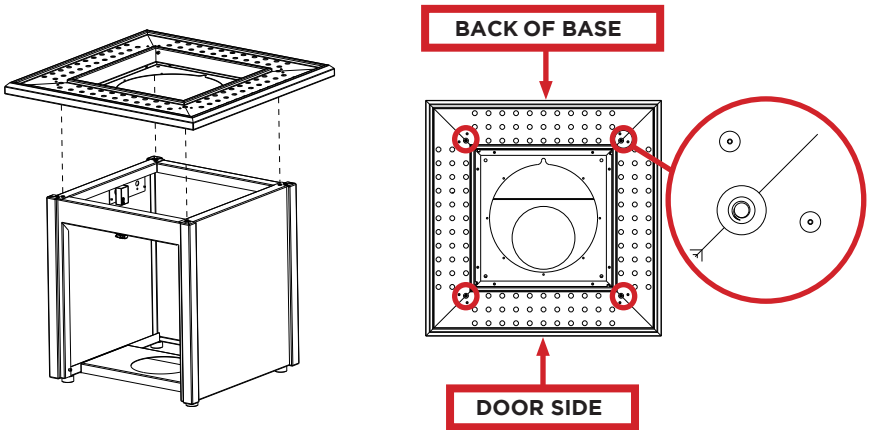
### B. CF-SPARKER INSTALLATION

1. Locate CF-SPARKER inside of Crystal Fire® Plus burner box.
2. Remove CF-SPARKER cap and hex nut. Insert AAA battery (*not included*) with + end out.
3. Install CF-SPARKER into control panel as shown below.
4. Press in CF-SPARKER button to test your sparker. If CF-SPARKER is working correctly, there will be both an audible and visible spark.

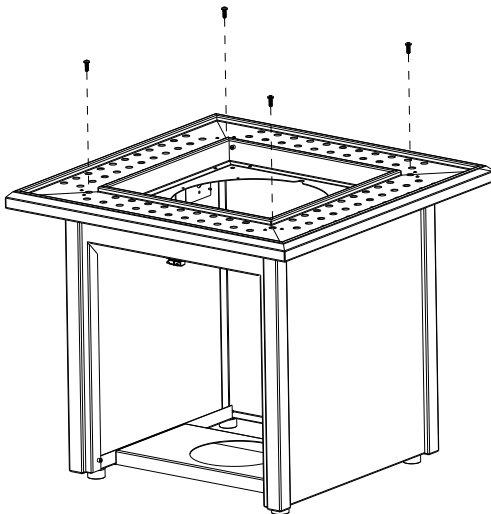


## C. TABLETOP ASSEMBLY

1. Remove burner cover from tabletop and set aside. Orient tabletop on base as shown below. A threaded insert should be visible at all four (4) locations.



2. Secure tabletop to base using the supplied (4X) 1/4"-20 X 3/4" and a Phillips screwdriver.



### 3. *SETTING UP YOUR BURNER*

#### **ATTENTION**

Read and understand your Crystal Fire® Plus owner's manual before beginning burner hookups or using the device.

**DO NOT USE TEFLON TAPE OR PIPE DOPE ON FLARE FITTINGS.**

#### **IMPORTANT**

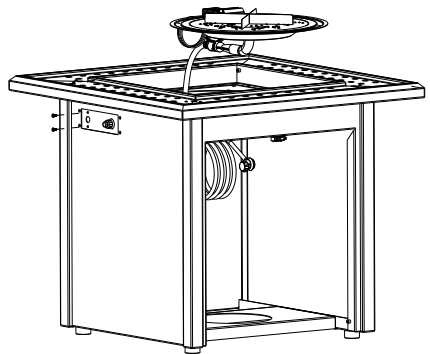
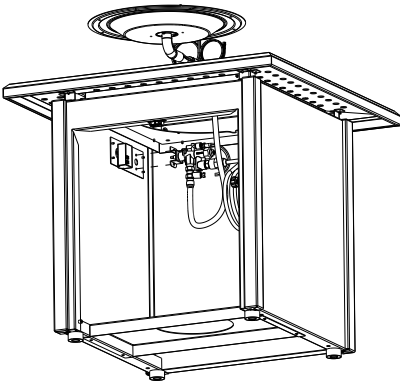
Please consult your Crystal Fire® Plus instruction manual for detailed instructions and important information related to the burner installation including: lighting and operating instructions, safety information, and proper tightening of connections with two wrenches.

**DO NOT ATTEMPT TO INSTALL CRYSTAL FIRE® PLUS BURNER WITHOUT FIRST CONSULTING THE CRYSTAL FIRE® PLUS OWNER'S MANUAL.**

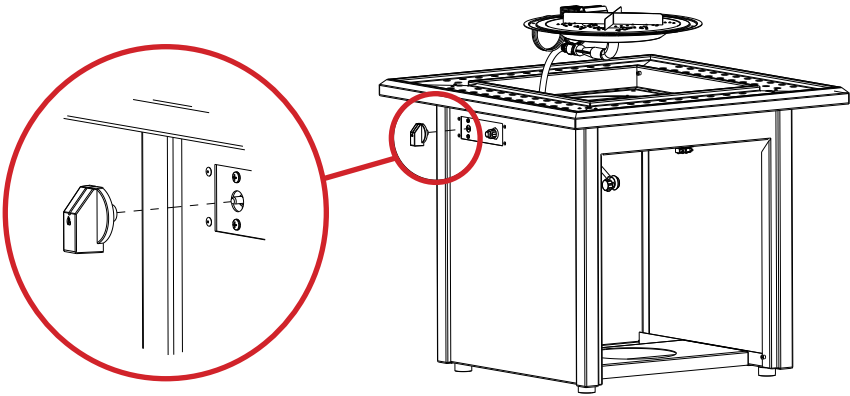
#### **A. GAS CONTROL INSTALLATION**

**ALL GAS CONNECTIONS WERE COMPLETED AT THE FACTORY. SEE CRYSTAL FIRE® PLUS INSTRUCTIONS FOR COMPLETE INSTALLATION INSTRUCTIONS.**

1. Set burner assembly on table to allow easier access inside the base. During this step, use top packaging material to prevent scratches on tabletop from burner assembly. Attach burner control valve to base control panel with included fasteners as shown below.

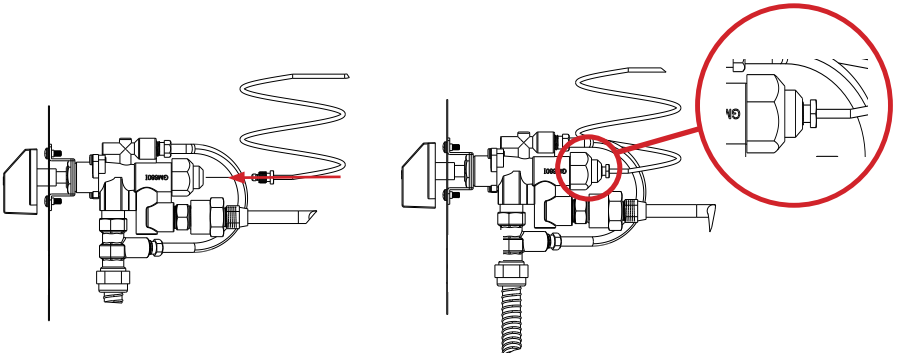


2. Press control knob onto burner control valve. It is keyed and will only go on one way.



## B. THERMOCOUPLE INSTALLATION

1. Carefully uncoil thermocouple from burner.
2. Connect thermocouple to control valve and tighten using 10mm wrench or small adjustable wrench. Tighten until one (1) thread is visible.  
*See image below.*



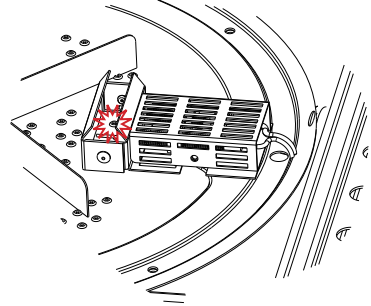
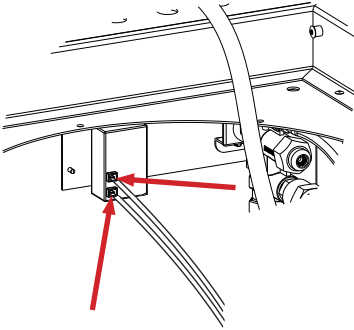
***Refer to Crystal Fire® Plus instruction manual for more detailed information regarding the installation of the thermocouple.***





## C. ELECTRODE INSTALLATION

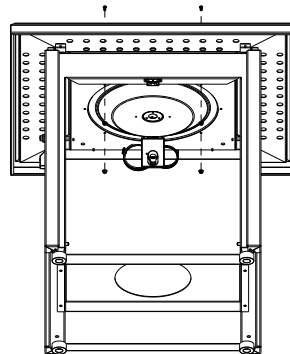
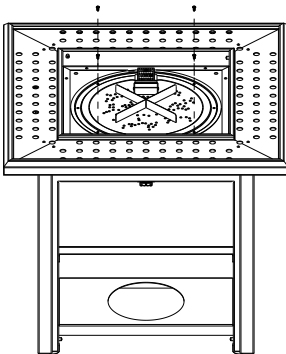
1. Carefully uncoil orange igniter wire and black ground wire from burner.
2. Connect the two (2) wires to sparker box as shown in image below. It does not matter which wire connects to which terminal; the sparker will work in either configuration.



3. Test the ignition system by pressing the button on the sparker. Consult the troubleshooting section of the Crystal Fire® Plus instruction manual if the spark at the location shown above is weak, intermittent, or not present.

## D. SECURING BURNER

1. Remove any packaging used to prevent scratching in step 3A. Orient burner as shown in image below.
2. Secure burner to burner plate using (4X) #8-32 X 3/8" Phillips machine screws and (4X) #8-32 flange nuts. Use Phillips screwdriver on screw and hold the nut with fingers.

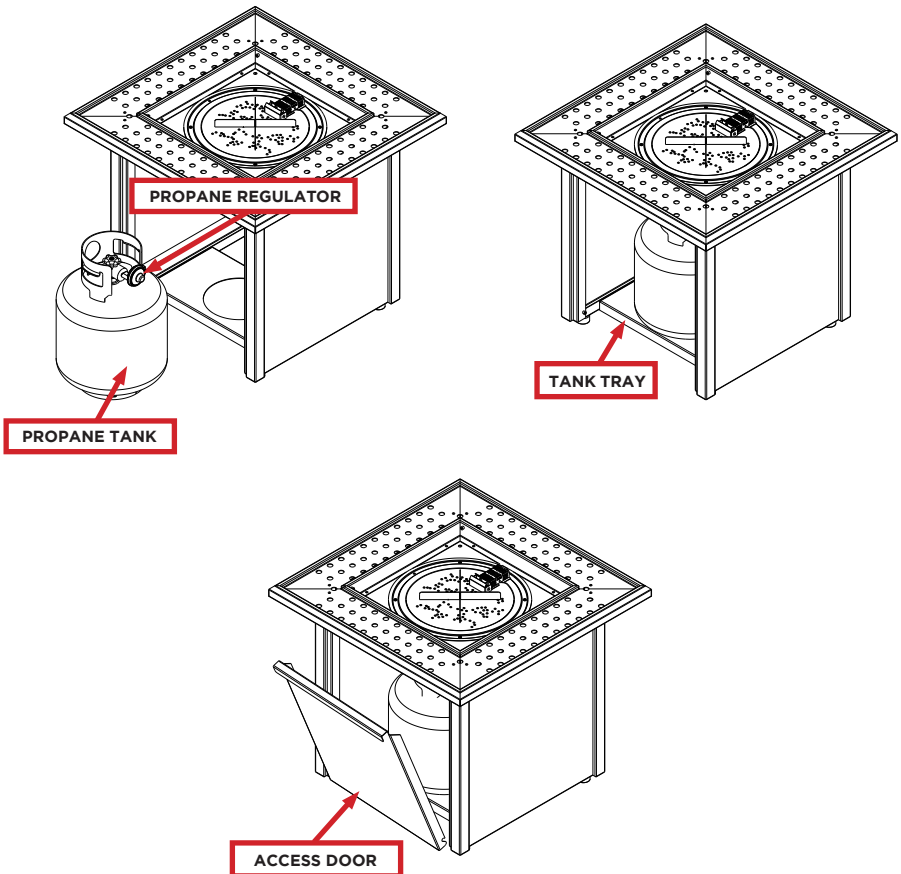


## E. PROPANE TANK INSTALLATION



**HAND TIGHTEN, DO NOT USE A WRENCH FOR THIS CONNECTION.**

1. Ensure control valve on fire table is in the OFF position and propane tank valve is fully closed. Hand-tighten regulator hose connector to propane tank.
2. Place tank in tank tray.
3. Secure access door to base.

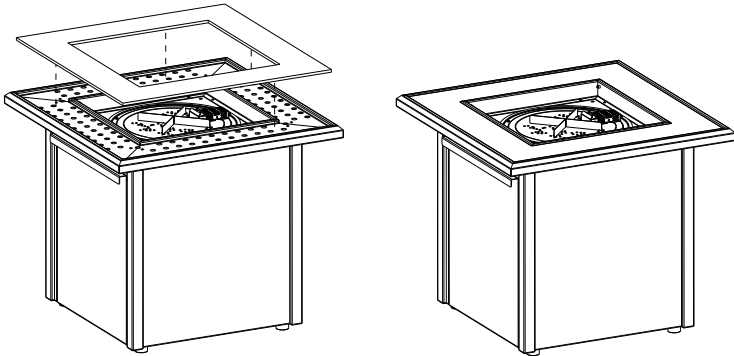




## 4. MISCELLANEOUS

### A. TABLETOP INSERT INSTALLATION

1. Carefully position the tabletop insert over the tabletop and gently lower into place.

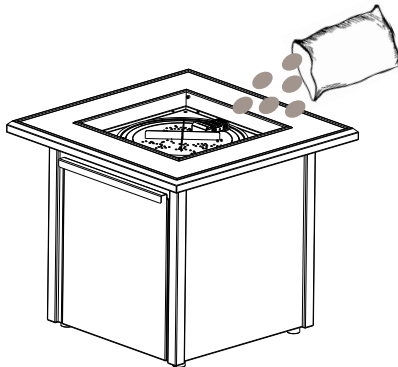


### ⚠ WARNING ⚠

DO NOT OPERATE CRYSTAL FIRE® PLUS BURNER WITHOUT INCLUDED GLASS BEADS OR OTHER APPROVED FIRE MEDIA.

### B. FIRE MEDIA INSTALLATION

1. Scatter included glass beads, lava rock, or other approved fire media evenly across entire burner surface.

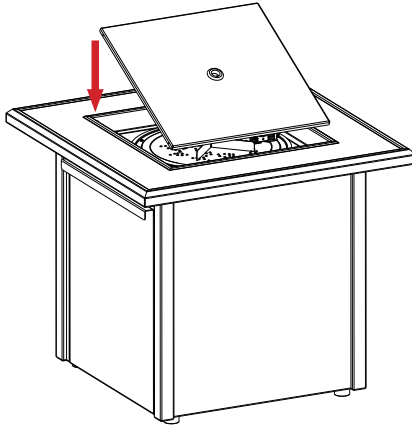


## C. BURNER COVER INSTALLATION



DO NOT OPERATE CRYSTAL FIRE® PLUS BURNER WITH BURNER COVER IN PLACE.

1. Fully shut off gas supply to table and turn control valve knob to OFF position.
2. Wait for burner to become cool before placing burner cover.
3. Carefully place burner cover on corner supports.
4. Remove burner cover before attempting ignition.





## 5. OPERATING INSTRUCTIONS



### IMPORTANT



**Before operating your VGHN, ensure all gas connections are properly tightened and thoroughly leak checked. Refer to the Crystal Fire® Plus manual for information on proper leak checking and other critical safety information.**



### WARNING



### FIRE OR EXPLOSION HAZARD

**If you do not follow these instructions exactly, a fire or explosion may result causing property damage, personal injury, or loss of life.**

Verify control valve is in OFF position. If operating on a self-contained propane cylinder, ensure cylinder valve is CLOSED. If operating on a hard-piped system, ensure main gas supply shut-off valve and all other valves in gas system are OPEN.

If operating on a self-contained propane cylinder, slowly open cylinder valve.

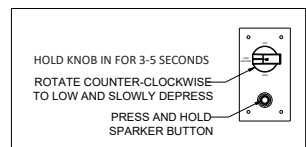
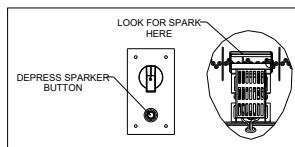
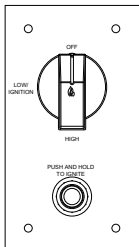
Press and hold sparker button. Verify an audible and visible spark is present within the ignition wind guard.

Gently press and turn control knob to LOW/IGNITION position. Fully depress control knob and hold for 3-5 seconds. Burner should ignite and continue to operate when control knob is released.

If burner does not light or remain lit after 20 seconds of attempting ignition, turn control valve to OFF position and wait 5 minutes to allow gas to dissipate before attempting ignition again.

**DO NOT ATTEMPT TO LIGHT BURNER IF YOU SMELL GAS.**

With burner lit and operating, the flame height can be adjusted between LOW and HIGH at any time.



## 6. WARNINGS

### **IMPORTANT**

Please consult your Crystal Fire® Plus instruction manual for detailed instructions and important information related to the burner installation including: lighting and operating instructions, safety information, and proper tightening of connections with two wrenches.

**DO NOT ATTEMPT TO INSTALL CRYSTAL FIRE® PLUS BURNER WITHOUT FIRST CONSULTING THE CRYSTAL FIRE® PLUS OWNER'S MANUAL.**

### **WARNING**

**After consulting the manual and following instructions, remember: before operating, all gas connections must be fully checked for leaks.**



WARNING: This product can expose you to chemicals including Carbon Monoxide and Benzene which are known to the State of California to cause cancer or birth defects or reproductive harm. For more information, visit [www.P65Warnings.ca.gov](http://www.P65Warnings.ca.gov)

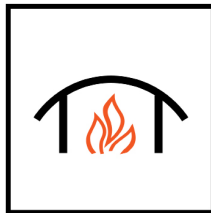


Thank you for purchasing an  
Outdoor GreatRoom Company  
product. This fire pit was  
assembled with pride in the USA.



**Warranty:** Fire pit tables are covered under a 1 year  
manufacturer's warranty.

Please visit <http://www.outdoorrooms.com/product-registration>  
to register your product.



9583 217<sup>th</sup> St. W. • Lakeville, MN 55044

**Toll Free: 1-866-303-4028 • [Sales@OutdoorRooms.com](mailto:Sales@OutdoorRooms.com)**