



THE OUTDOOR
GREATROOM
COMPANY

Providence Fire Pit

Installation Instructions for All Providence
Fire Pit Models and Top Styles



Contents

Package Contents and Required Tools.....	3
Placing and assembling the Table.....	4
Igniter Installation.....	8
Gas Connections.....	9
Thermocouple Installation.....	10
Electrode Installation.....	11
Locating Propane tank.....	12
Finishing Touches.....	13

Required Tools



- **2 Open Ended Wrenches**

To make gas connections



- **Leather Gloves**

To protect hands from rough edges found on the coffee table.



- **One (1) AAA Battery (not included)**

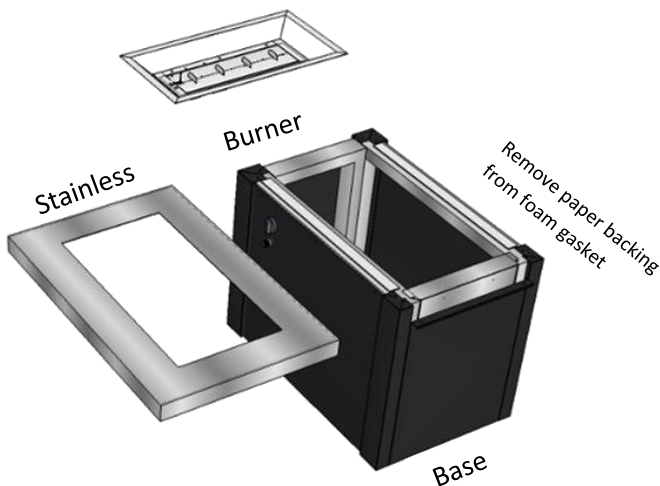
Required for piezoelectric igniter installation.



- **Electric Screw Gun with Philips tip**

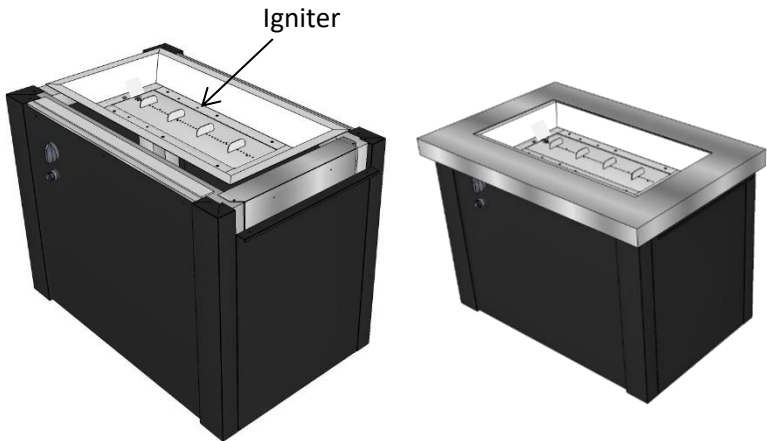
(Used for metal tops excluding brushed stainless model)

Included in packaging



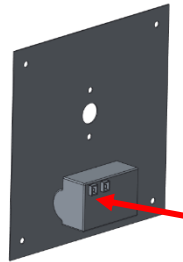
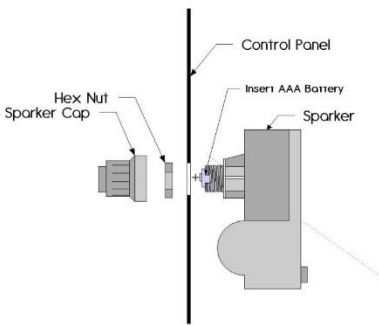
Placing and Assembling the Fire Pit table (STAINLESS STEEL TOP)

1. Remove all components from packaging.
2. Move the base (remove door) to desired location and set into place.
3. When locating your coffee table, refer to the manual included with your burner and maintain clearance to combustibles.
4. Set burner into place with the igniter at the opposite end from the door of the fire pit. See the section labeled Gas Connection and Igniter Installation to install gas lines and igniter, then set the stainless steel top into place on TOP of the burner.



Igniter Installation

- Locate CF-SPARKER inside of crystal fire burner box.
- Remove CF-SPARKER cap and hex nut. Insert AAA battery (not included) with + end out.
- Install CF-SPARKER into control panel as shown below.
- Depress CF-SPARKER button to test your sparker.

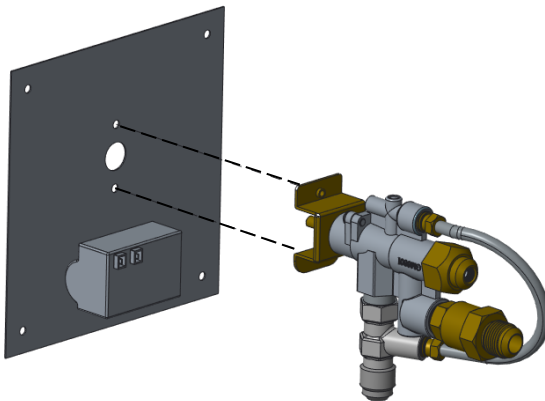


Located and orient sparker box on control panel as shown. Sparker box must be installed **before** burner valve.

Gas Connections

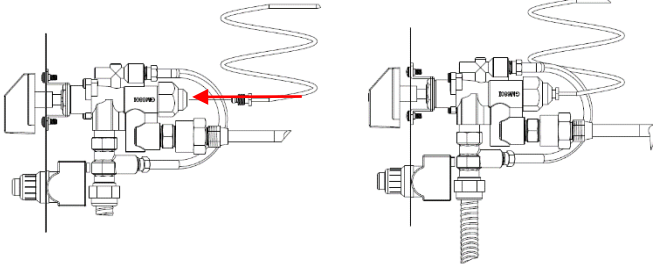
Read and understand your Crystal Fire® Plus owner's manual before beginning burner hookups or using the

- **See Crystal Fire® Plus instruction manual for burner installation.**
 - All gas connections were completed at the factory.
- Check all connections for leaks. If needed, tighten connection with 2 wrenches and re-check for leaks.
- Attach burner valve to control panel with provided screws as shown below. Ensure sparker box is installed before this step



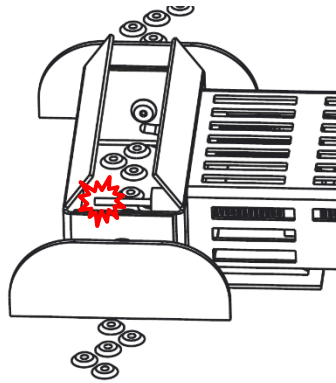
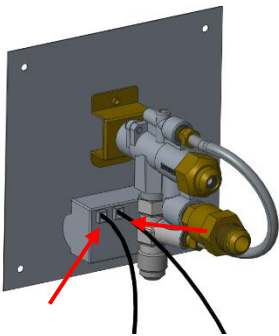
Thermocouple Installation

- Refer to Crystal Fire® Plus instruction manual for detailed attachment of thermocouple.
- Attach thermocouple to burner valve as shown below.



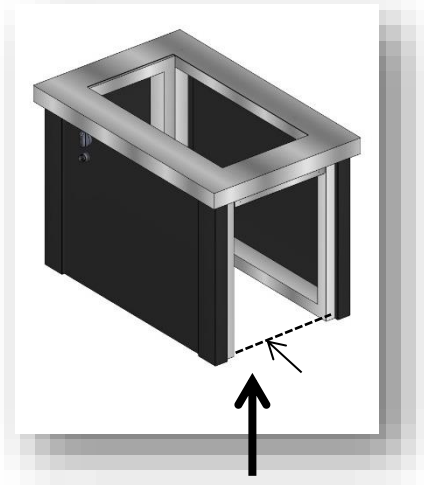
Electrode Installation

- Connect igniter and ground wire to sparker box. Both wires can connect to either connection point. The unit will operate in either configuration.
- Test system by pushing the button on the igniter. Consult the troubleshooting section of the Crystal Fire® Plus Burner Owner's Manual, if the spark is weak, intermittent, or not present.



Locating your Tank

- Your tank should be positioned so that the fuel can be shut off after each use.
- Slide the tank into the framework past the line shown below. This is to allow the door to close completely.
- Confirm all hoses are clear and not touching the burner.



Position tank behind this line

- Install door by setting the bottom on the catching hooks first and then closing. Magnets in the table will hold door closed.

Finishing Touches

Once fire pit is set up and in the desired position, scatter decorative glass on burner surface forming an even layer of beads.

- **DO NOT BURN WITHOUT GLASS OR OTHER DECORATIVE SUBSTRATE PRESENT**

IMPORTANT

Please consult your Crystal Fire® Plus instruction manual for detailed instructions and important information related to hooking up your linear burner, including safety information, proper tightening of connections with two wrenches and full burner setup and lighting instructions.

DO NOT ATTEMPT TO INSTALL CFP1224 BURNER WITHOUT FIRST CONSULTING THE MANUAL. IF YOU ARE UNSURE OF HOW TO COMPLETE THE STEPS OUTLINED, CONSULT A QUALIFIED TECHNICIAN.

WARNING

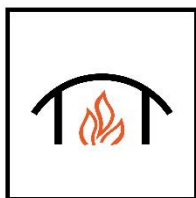
After consulting the manual and following instructions, remember; before operating, all gas connections must be fully checked for leaks.

Warranty: Fire pit tables are covered under a 1-year manufacturer's warranty. Please visit <http://www.outdoorrooms.com/product-registration> to register your product.



WARNING: This product can expose you to chemicals including Carbon Monoxide and Benzene which are known to the State of California to cause cancer or birth defects or reproductive harm. For more information, visit www.P65Warnings.ca.gov

© 2014 The Outdoor GreatRoom Company



9583 217th St. W. • Lakeville, MN 55044
Toll Free: 1-866-303-4028 • Sales@OutdoorRooms.com