

# Gallery Electric

## Homeowner's Installation Instructions & Operating Manual

Model: GBL-44, GBL-64



### FOR YOUR SAFETY

**SERVICE MUST BE PERFORMED BY A QUALIFIED SERVICE AGENCY.**

**DO NOT STORE OR USE GASOLINE OR OTHER FLAMMABLE VAPORS  
AND LIQUIDS IN THE VICINITY OF THIS OR ANY OTHER APPLIANCE.**

**PLEASE READ THIS MANUAL BEFORE INSTALLING AND USING APPLIANCE.**

**DO NOT DISCARD THIS MANUAL**

**SAVE THESE INSTRUCTIONS FOR FUTURE REFERENCE.**

# IMPORTANT INSTRUCTIONS

When using electrical appliances, basic precautions should always be followed to reduce the risk of fire, electrical shock, and injury to persons including the following:

1. Read all instructions before using this appliance.
2. This heater is hot when in use. To avoid burns, do not let bare skin touch hot surfaces. Keep combustible materials, such as furniture, pillows, bedding, papers, clothes and curtains at least 3 feet (0.9m) from the front of the heater and keep them away the sides and rear.
3. Extreme caution is necessary when any heater is used by or near children or individuals with reduced sensory or mental capacities and whenever the heater is left operating unattended.
4. Always unplug heater when not in use.
5. Do not operate any heater with a damaged cord or plug or after the heater malfunctions, has been dropped or damaged in any manner. Return heater to authorized service facility for examination, electrical or mechanical adjustment, or repair.
6. Do not use outdoors.
7. This heater is not intended for use in bathrooms, laundry areas and similar indoor locations. Never locate heater where it may fall into a bathtub or other water container.
8. Do not run cord under carpeting. Do not cover cord with throw rugs, runners, or the like. Arrange cord away from traffic area and where it will not be tripped over.
9. To disconnect heater, turn controls to off, then remove plug from outlet.
10. Connect to properly grounded outlets only.
11. Do not insert or allow foreign objects to enter any ventilation or exhaust opening as it may cause an electric shock or fire, or damage the heater.
12. To prevent a possible fire, do not block air intakes or exhaust in any manner. Do not place heater on soft surfaces, like a bed, where openings may become blocked.
13. A heater has hot and arcing or sparking parts inside. Do not use it in areas where gasoline, paint, or flammable liquids are used or stored.

Use this heater only as described in this manual. Any other use not recommended by the manufacturer may cause fire, electrical shock, or injury to persons.

14. Where possible, avoid the use of extension cords because the extension cord may overheat and cause a risk of fire.
15. This heater includes an overheat protection system that shuts off the heater when parts of the heater are getting excessively hot. If the heater shuts off, immediately turn the heater OFF and inspect for any objects, on or adjacent to the heater, which may cause high temperatures. **DO NOT OPERATE THE HEATER UNTIL IT IS RESET.** To reset the heater, turn it OFF, and wait five to ten minutes for the unit to cool down before turning the heater on.
16. Make certain that the power source conforms to the electrical requirements of the heater.
17. Always use properly grounded, fused and polarized outlets. Always use ground fault protection that is required by electrical code.
18. Always disconnect power before performing any cleaning, maintenance or relocation of the heater.
19. When transporting or storing the heater, keep in a dry place free from excessive vibration and store to avoid damage.

**WARNING: DO NOT DEPEND ON THE ON/OFF SWITCH AS THE SOLE MEANS OF DISCONNECTING POWER WHEN SERVICING OR MOVING THE HEATER. ALWAYS UNPLUG THE POWER CORD.**

**WARNING: REDUCE THE RISK OF FIRE OR ELECTRIC SHOCK---DO NOT USE THIS HEATER WITH ANY SOLID STATE SPEED CONTROL DEVICES.**

## SAVE THESE INSTRUCTIONS



WARNING: This product can expose you to chemicals including Lead, which are known to the State of California to cause cancer or birth defects or reproductive harm. For more information, visit [www.P65Warnings.ca.gov](http://www.P65Warnings.ca.gov)

# INSTALLATION INSTRUCTION

## TOOL REQUIRED

Magnetic Phillips Screw Driver



## UNPACKING THE ELECTRIC FIREPLACE



**WARNING!** Do NOT use this Electric Fireplace if any part has been under water. Immediately call a qualified service technician to inspect and to replace any part of the electrical system if necessary. Keep plastic wrapping away from children.

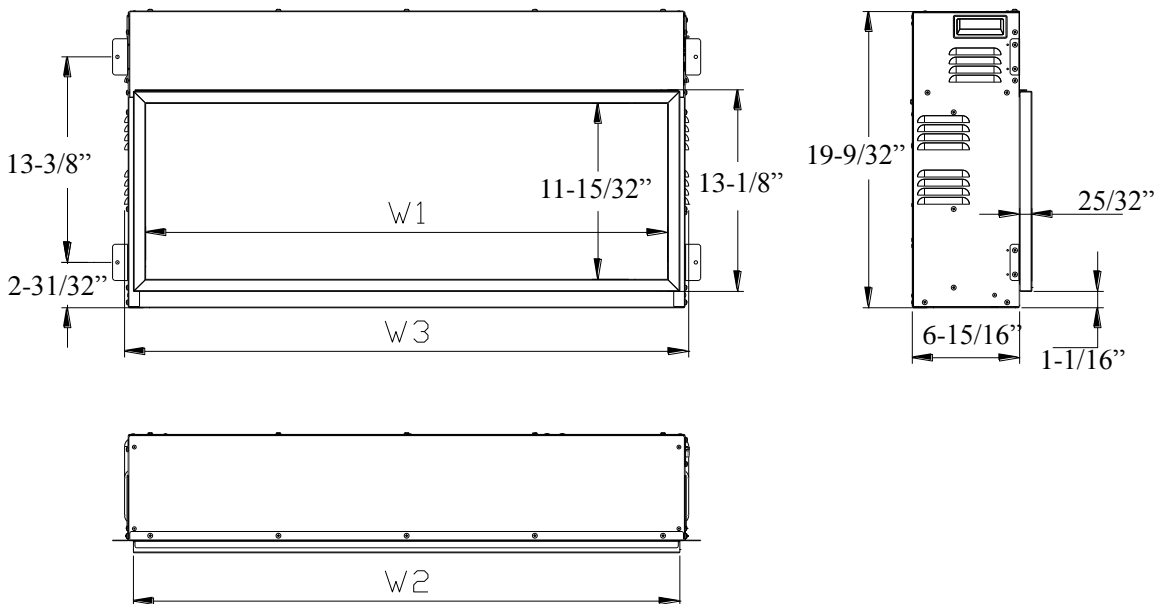
- Open the packaging carefully and remove the foam.
- Remove and discard the plastic bag.
- Be responsible when handling the packing materials.
- Keep the original packaging for future transport and/or storage.
- Check all accessories are got before you keep the packing.

## INCLUDED PARTS AND HARDWARE

Parts and Hardware List	
Part	Quantity
Remote Control	1
AAA Battery	2
Instruction Manual	1
Decorative Stones	1 bag
Fixing Bracket	4
Screw ST4*8	8
Screw ST4*16	4

## FIREPLACE DIMENSIONS

Figure 1- Dimensions to nearest 1/32"



MODEL	W1	W2	W3
GBL-44	41-17/32"	43-1/8"	44-1/4"
GBL-64	61-7/32"	63-3/4"	63-30/32"

## LOCATING YOUR ELECTRIC FIREPLACE

Your new electric fireplace may be installed virtually anywhere in your home. However, when choosing a location ensure that the general instructions are followed. For best results, install out of direct sunlight. Power supply service must be either completed or placed within the electric fireplace prior to finishing to avoid reconstruction.

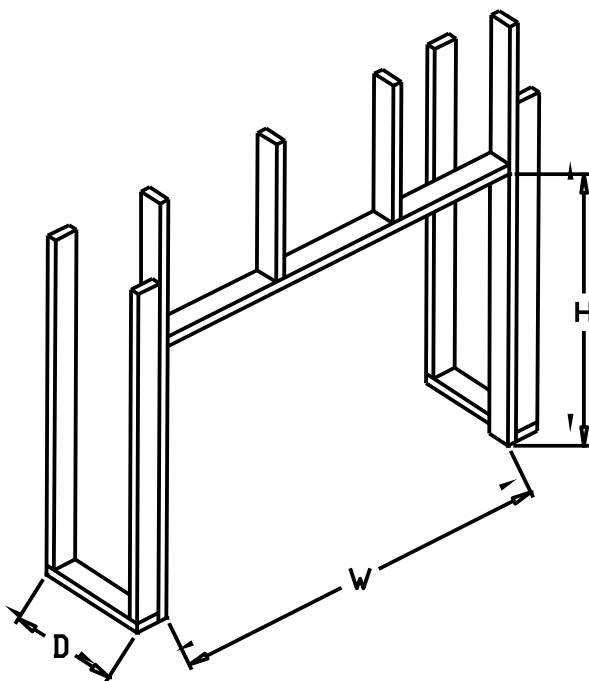
**WARNING !** Keep drapery and other furnishings at least 3ft /0.9m from the front of the electric fireplace.

## FRAMING

- Choose a fireplace location and frame as shown in figure 2.
- Frame in the fireplace with a header across the top.
- It is important to allow for finished face when setting the depth of the frame.
- If a hearth system or raised hearth is to be installed, the unit **MUST** be raised to provide service access and use of front.
- The fireplace can now be positioned in the opening.
- Level it with shims if necessary, and attach the unit to the frame using the fit brackets provided.
- Combustible or non-combustible materials may be used to finish up to the fireplace opening.

**Note:** Ensure that you leave adequate room to remove and replace the front screen or optional front.

figure 2



units: in

MODEL	W	D	H
GBL-44	44-13/32"	7-3/32"	19-1/2"
GBL-64	64-3/32"	7-3/32"	19-1/2"

\*drawing not to scale.  
For reference only

## ELECTRICAL SPECIFICATIONS

Voltage .....120V AC, 60 Hz  
Total Amps ..... 10.8AMP  
Total Watts .....1300Watts

## ELECTRICAL CONNECTION

**WARNING! Electrical wiring must comply with local building codes and other applicable regulations to reduce the risk of fire, electrical shock and injury.**

**Note: All wiring must be completed prior to finishing the unit.**

### EXISTING APPLIANCE INSTALLATION

Plan the power supply. If an existing grounded outlet is near the appliance, the power cord can run behind the appliance. If the cord is not long enough to reach the outlet, a grounded extension cord minimum AWG No. 14 wiring and rated to a minimum of 1875 watts may be used. To reduce the risk of fire, do not run the power cord under rugs, carpets, etc. Arrange the power supply cord away from high traffic areas where it may pose a tripping hazard.

### HARD-WIRE INSTALLATION

If it is necessary to hard wire this appliance, a qualified electrician may remove the cord connection, and wire the appliance directly to the house hold wiring. The appliance must be electrically connected and grounded in accordance with local codes.

- Remove the cord connection. (Figure 3)
- Wire to a properly grounded, 120volt, 60Hz, 15 AMP circuit.
- Ensure all junction block connections are tight. (Figure 4)
- Replace the cover and retaining screws.

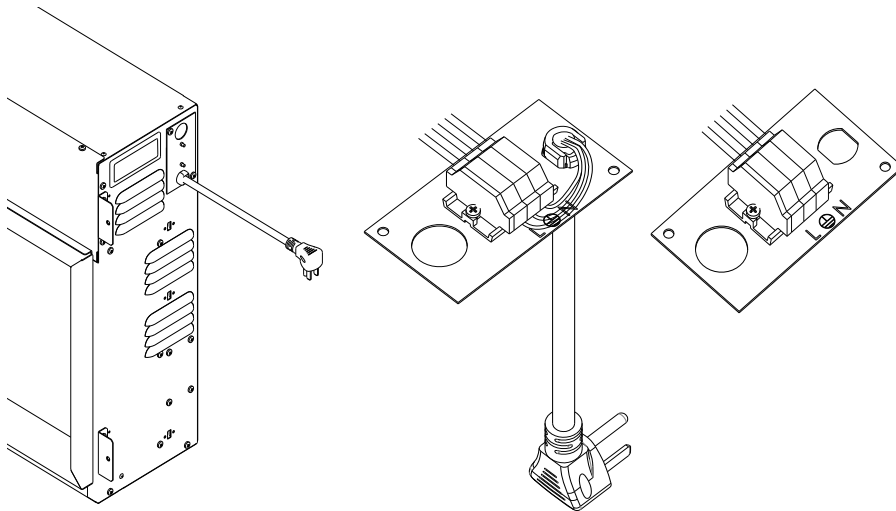


figure 3

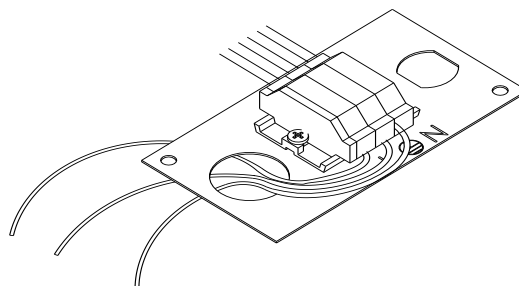


figure 4

# MAINTENANCE

**WARNING: ALWAYS DISCONNECT POWER BEFORE SERVICING.**

## DO NOT IMMERSE HEATER IN WATER!

- Always turn OFF the heater and disconnect power before cleaning your heater.
- Light accumulated dust may be removed from the heater with a soft cloth or vacuum cleaner.
- Wipe the exterior surfaces of the heater occasionally with a slightly damp cloth (not dripping wet) using a solution of mild detergent and water. Dry the case thoroughly before operating the heater.

**Caution:** Do not allow water to run into the interior of the heater as this could create a fire or electric shock hazard.

- The fan motor is factory lubricated for life and will not require further lubrication.
- Store heater in a clean dry place when not in use.

**Warning:** Any other servicing needed must be performed by an authorized service representative. Do not attempt to service the unit yourself.

# OPERATING INSTRUCTION

This appliance can be operated by both remote control and manual button. Once the unit has been properly connected to a grounded electrical outlet, a beep should be heard and the power is first applied.



**CAUTION!** The unit's power cord must be connected to a properly grounded and protected 120V outlet. Always use ground fault protection where required by the electrical code.



**WARNING!** Do not operate the unit if it is damaged or has malfunctioned. If you suspect the unit is damaged, please call a qualified service technician to inspect and to replace any part of the electrical system if necessary.

## ● Operating by Manual Button

**NOTE!** The manual buttons on the fireplace unit do not provide you with all function controls, its purpose is to control some basic function if you lose the remote handset. Please use the remote handset to carry out all functions.

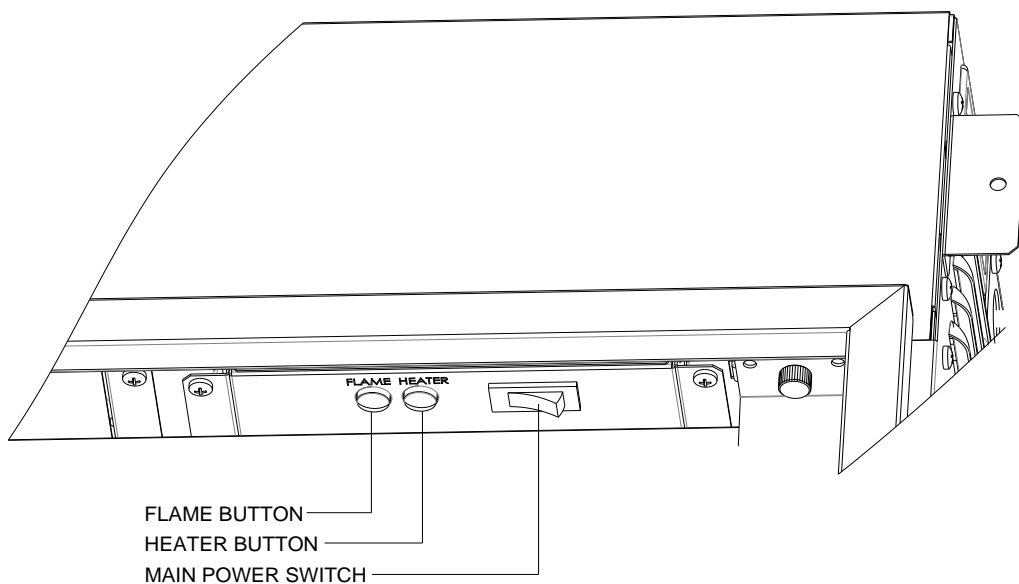


figure 5

## Flame button

The fire has four flame effects and a standby, by pressing the flame effect button the unit will cycle through each condition.

## Heater button

Press once turns 650W power on. (Pilot lights illuminated ●○)

Press again turns 1300W power on (Pilot lights illuminated ●●)

Press third time turns heater off. (Pilot lights illuminated ○○)

## To Reset the Heater

Your heater includes a protection system that shuts off the heater if it overheats for any reason:




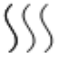


- 1) Turn unit to off.
- 2) Wait 5 minutes.
- 3) Turn on.

## ● Remote control functions

In order to protect the product from becoming too hot, there is an 8s delay when turning on the heater; also there is an 8s delay when turning off the heater fan.

Make sure the batteries are installed properly in the remote control.

The effective range of the remote control is up to 13 feet (4 meters) .

	ICON	TITLE	FUNCTION
		POWER	Press once turns appliance and flame effects on. Press again turns appliance and flame effects off.
		FLAME	The fire has four flame effects, by pressing the flame effect button the unit will cycle through each effect.
		HEATER	Press once turns 650W power on. (Pilot lights illuminated ●○) Press again turns 1300W power on (Pilot lights illuminated ●●) Press third time turns heater off. (Pilot lights illuminated ○○)
		TEMP	Digital display shows the TEMP setting 23°C (73°F) (default), with 14 settings circle from "OFF", "16°C" to "28°C" (61°F to 82°F). The TEMP will increase by 1°C/F up to 28°C(82°F) when pressed each time. By pressing the TEMP for 3S, the digital display can switch between °C and °F.
		TIMER	Cycles from OFF, 0.5H, 1H, 2H, 3H, 4H, 5H, 6H, 7H,8H, to 9H.

# WARRANTY

In the unlikely event of a problem occurring due to a manufacturing fault within 24 months from the date of purchase of the appliance it will be repaired or replaced free of charge.

This warranty does not cover consumable items such as the bulbs and fuses which have a limited lifespan.

If a problem should occur, the nature of the problem together with the date of a purchase should be immediately reported to the retailer that the appliance was purchased from. Proof of purchase will be required so the original receipt should be retained.

Warranty applies to the original owner only and is non-transferrable.

Problem	Possible Causes	Solution
Fireplace not responding to remote commands	Switch on fireplace not in the ON position	Switch must be in the ON position for remote operation
	Remote control battery dead or not inserted properly	Insert or check battery for correct orientation
	Remote is not in range of fireplace or not aimed correctly	Move closer to fireplace and aim remote directly at it.
Fireplace trips circuit breaker or blows fuse when turned on	Improper circuit rating	Ensure unit is plugged into a dedicated 15 amp circuit
	Too many appliances plugged into the same circuit	Unplug other appliances on the same circuit
Heater is excessively noisy	Blower assembly is dirty	Unplug unit and clean blower
	Defective blower	Blower replacement or repair necessary
Odor coming from heater/blower	Normal operation	Heater is burning off dust accumulated during manufacture or non-use periods. This should only be noticeable for a brief period after turning on.
	Defective heater	Heater may require replacement or repair
Flame effect frozen or stuttering	Defective flame motor	Flame motor repair or replacement required.
Heater not outputting heat when turned on.	Thermal switch tripped	Turn off unit and unplug for 5 minutes. This is a safety feature to prevent overheating
	Heater is defective	Replacement or repair may be required
	Thermostat is cycled off	Set thermostat to higher setting
LED Lighting not turning on	Lighting may be defective	Repair or replacement may be required.



14400 Southcross Drive West • Suite 100 • Burnsville, MN 55306  
Toll Free: 1-866-303-4028 • [Sales@OutdoorRooms.com](mailto:Sales@OutdoorRooms.com)