



THE OUTDOOR
GREATROOM
COMPANY

Caden Fire Table

Installation Instructions for Caden Fire Pit Table
CAD-1224





IMPORTANT



Please consult your Crystal Fire® Plus instruction manual for detailed instructions and important information related to the burner installation including: lighting and operating instructions, safety information, and proper tightening of connections with two wrenches.

**DO NOT ATTEMPT TO INSTALL CRYSTAL FIRE® PLUS BURNER
WITHOUT CONSULTING THE CRYSTAL FIRE® PLUS
OWNER'S MANUAL.**

CONTENTS

1. About Your Fire Table	2
a. Required Tools	
b. Included With Your Fire Pit	
2. Assembly Instructions	3
a. Unpacking	
b. Leg Assembly	
c. Top Assembly	
d. CF-SPARKER Assembly	
e. Side Assembly	
f. Bottom Component Assembly	
3. Setting Up Your Burner	8
a. Gas Connections	
b. Thermocouple Installation	
c. Electrode Installation	
d. Propane Tank Installation	
4. Miscellaneous	11
a. Fire Media Installation	
b. Glass Cover Installation	
5. Operating Instructions	12
6. Warnings	13



1. ABOUT YOUR FIRE TABLE

A. REQUIRED TOOLS

- Utility Knife -
To cut and remove packaging
- 2 Open Ended Wrenches -
To secure gas connections
- Phillips Screw Driver (*Do not use a drill to assemble*) -
For assembly
- One AAA Battery (*Not Included*)-
Required for electric spark igniter installation

B. INCLUDED WITH FIRE PIT

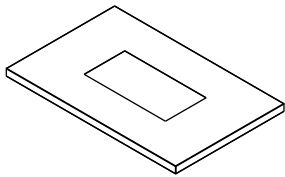
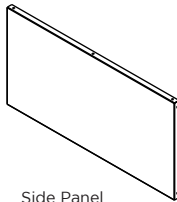
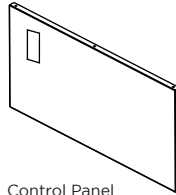


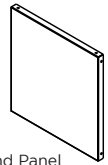
Table Top
(1)



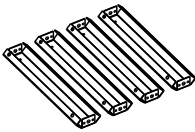
Side Panel
(1)



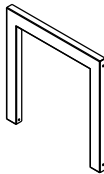
Control Panel
(1)



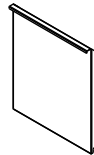
End Panel
(1)



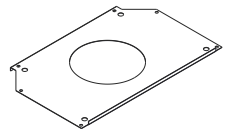
Legs
(4)



Door Frame
(1)



Door
(1)



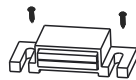
Tank Tray
(1)



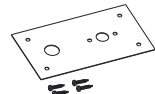
Screw
(26)



Leveling Feet
(4)



Magnet and Screws
(1)



Control Panel and 4X Screws
(1)



CFP1224 Burner and Accessories
(1)

Refer to Crystal Fire® Plus manual for items included with Crystal Fire® Plus burners



2. ASSEMBLY INSTRUCTIONS

WARNING

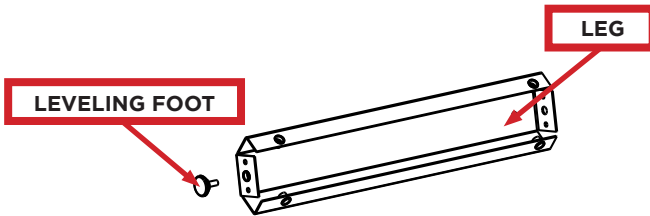
Exposed edges may be sharp, use leather gloves when removing packaging and handling the base. Do not remove protective cardboard packaging until you have placed the fire pit in its desired location.

UNPACKING

Do not discard any packaging until assembly is complete and unit is tested. Keep all included manuals in a safe place for future reference. It is recommended to keep top in box on a smooth flat surface. This protects the top from scratches and marks during assembly.

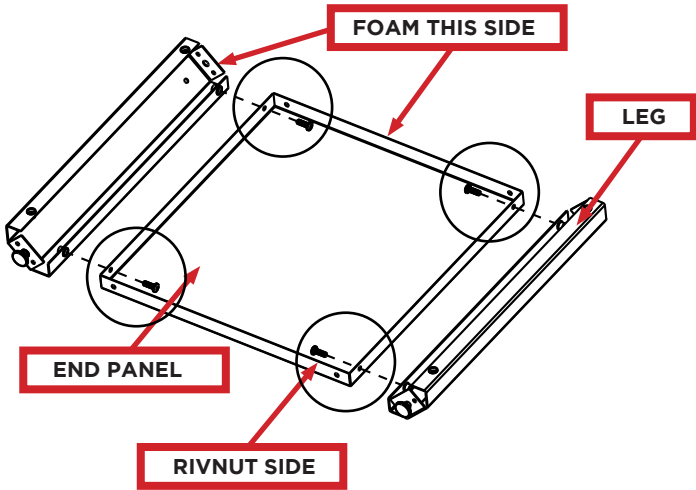
LEG ASSEMBLY

1. Screw leveling feet onto legs. (4X)

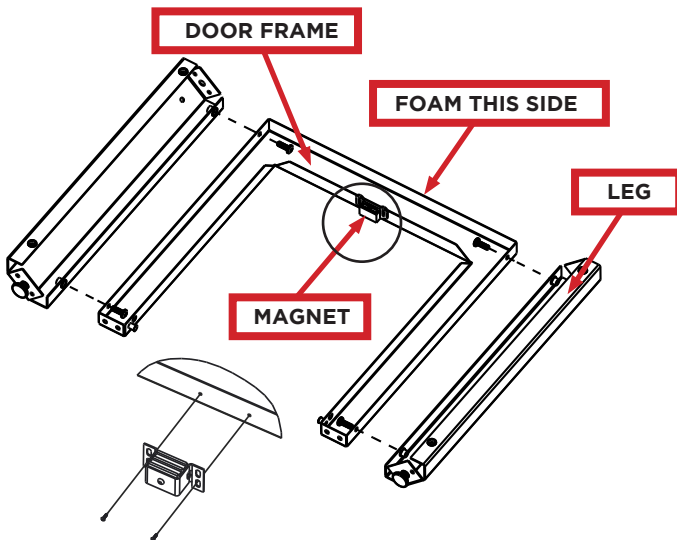


Fully tighten all screws after completing step 7

- 2.** Screw legs onto end panel as shown below.
Apply foam gasket to top of panel and legs.



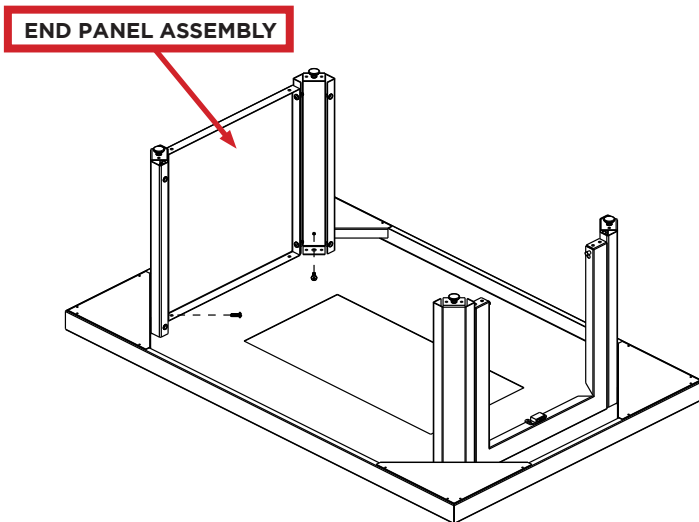
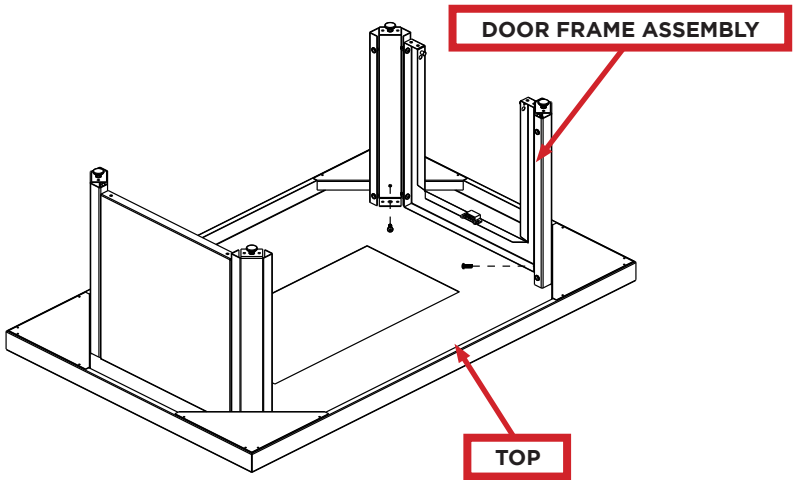
- 3.** Screw legs onto door frame as shown below. Screw magnet onto door frame.
Apply foam gasket to top of door frame and legs.





TOP ASSEMBLY

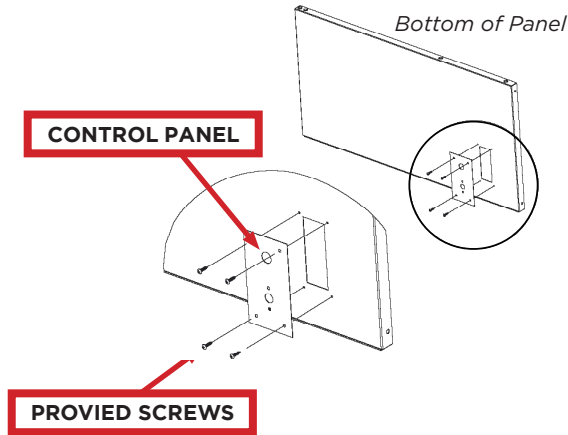
4. Screw panel assemblies in steps 2 and 3 onto the top as shown below. Loosely tighten screws, final tightening of all screws after completing step 6 of assembly.



CONTROL PANEL ATTACHMENT

5. Control Panel Attachment

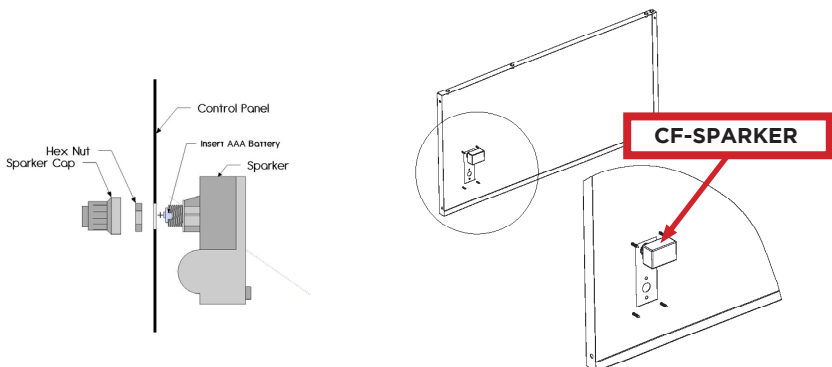
- Using a screwdriver, attach the control panel to side panel of table with the provided screws. Position control panel as shown in image below.



CF-SPARKER INSTALLATION

6. CF-SPARKER Installation

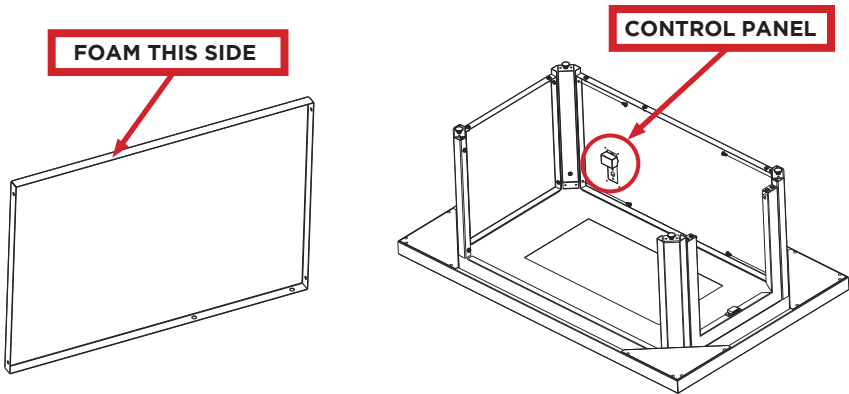
- Locate CF-SPARKER inside of Crystal Fire® Plus burner box.
- Remove CF-SPARKER cap and hex nut. Insert AAA battery (*not included*) with + end out.
- Install CF-SPARKER into control panel as shown below.
- Press in CF-SPARKER button to test your sparker.





SIDE ASSEMBLY

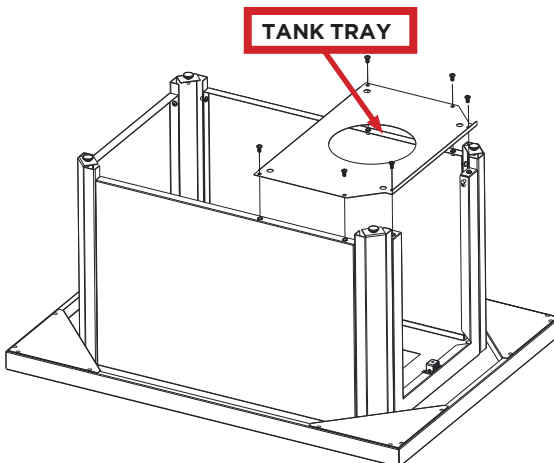
- 7.** Apply foam to top side of panel. Screw control panel onto side of base. Place side so that the control panel is opposite the door frame. Repeat this step for opposite side panel as shown below.



Fully tighten all screws after completing step 7

BOTTOM COMPONENT ASSEMBLY

- 8.** Screw tank tray onto bottom of the base as shown below.



3. SETTING UP YOUR BURNER

⚠ ATTENTION ⚠

Read and understand your Crystal Fire® Plus owner's manual before beginning burner hookups or using the device.

DO NOT USE TEFLON TAPE OR PIPE DOPE ON FLARE FITTINGS.

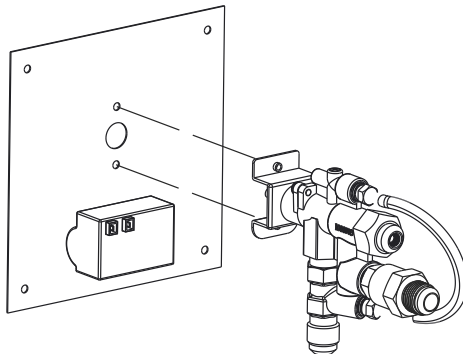
⚠ IMPORTANT ⚠

Please consult your Crystal Fire® Plus instruction manual for detailed instructions and important information related to the burner installation including: lighting and operating instructions, safety information, and proper tightening of connections with two wrenches.

DO NOT ATTEMPT TO INSTALL CRYSTAL FIRE® PLUS BURNER WITHOUT FIRST CONSULTING THE CRYSTAL FIRE® PLUS OWNER'S MANUAL.

A. GAS CONNECTIONS

- See Crystal Fire® Plus instructions for burner installation.
- All gas connections were completed at the factory.
- Check all connections for leaks. If needed, tighten connection with 2 wrenches and re-check for leaks.
- Attach burner valve to control panel with provided screws as shown below. Ensure CF-SPARKER is installed before this step.

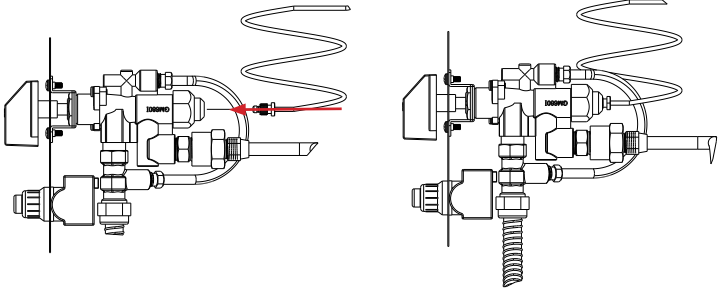


- For hard piped installations. Connect the gas supply line (*not included*) to the 3/8" male flare fitting on the valve. **USE TWO WRENCHES TO ENSURE A GAS TIGHT CONNECTION.**



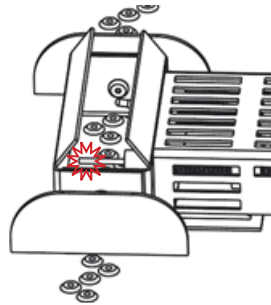
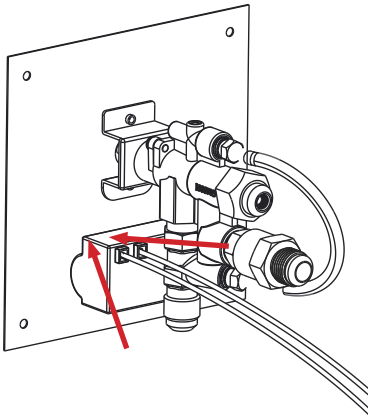
B. THERMOCOUPLE INSTALLATION

- Refer to Crystal Fire® Plus instruction manual for detailed attachment of thermocouple.
- Attach thermocouple to burner valve as shown below.



C. ELECTRODE INSTALLATION

- Connect ignitor and ground wire to sparker box. Both wires can connect to either connection point. The unit will operate in either configuration.
- Test system by pushing the button on the igniter. Consult the troubleshooting section of the Crystal Fire® Plus owner's manual if the spark is weak, intermittent or not present.

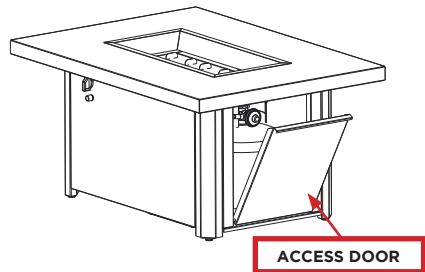
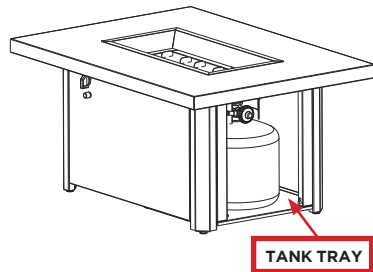
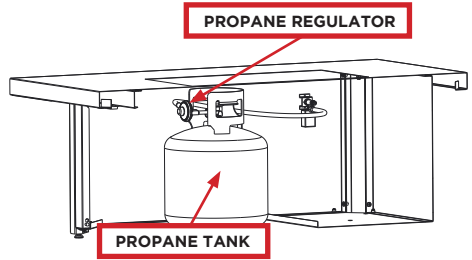


D. PROPANE TANK INSTALLATION

⚠ ATTENTION ⚠

HAND TIGHTEN, DO NOT USE A WRENCH FOR THIS CONNECTION.

- With the propane tank valve and fire pit valve off, attach the propane regulator to the propane tank.
- Place tank in tank tray.
- Ensure no hoses or wires are contacting the bottom of the burner.
- Replace the access door.





4. MISCELLANEOUS

A. FIRE MEDIA INSTALLATION

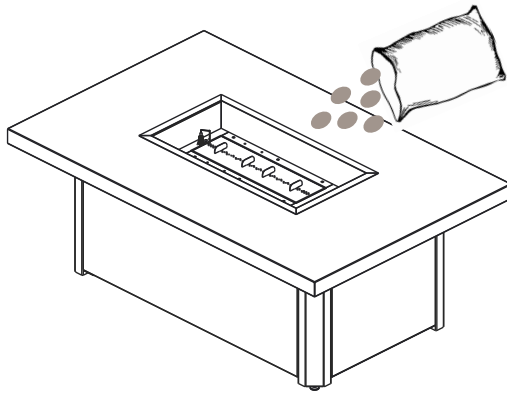
- Scatter all included glass beads, lava rock, or other approved fire media evenly across entire burner surface.



WARNING



DO NOT OPERATE CRYSTAL FIRE® PLUS BURNER WITHOUT INCLUDED GLASS BEADS OR OTHER APPROVED FIRE MEDIA.



B. BURNER COVER INSTALLATION

(NOT INCLUDED)

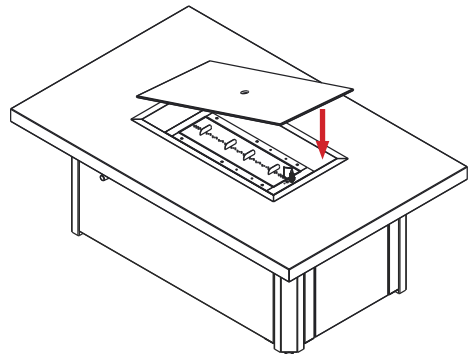
- Fully shut off gas supply to table and turn control valve knob to OFF position. Wait for burner to become cool before placing glass cover.
- Carefully place the glass cover on top of the burner.
- Remove glass burner before attempting ignition.



WARNING



DO NOT OPERATE CRYSTAL FIRE® PLUS BURNER WITH BURNER COVER IN PLACE.



5. OPERATING INSTRUCTIONS

⚠ IMPORTANT ⚠

Before operating your CAD-1224, ensure all gas connections are properly tightened and thoroughly leak checked. Refer to the Crystal Fire® Plus manual for information on proper leak checking and other critical safety information.

⚠ WARNING ⚠

FIRE OR EXPLOSION HAZARD

If you do not follow these instructions exactly, a fire or explosion may result causing property damage, personal injury, or loss of life.

Verify control valve is in OFF position. If operating on a self-contained propane cylinder, ensure cylinder valve is CLOSED. If operating on a hard-piped system, ensure main gas supply shut-off valve and all other valves in gas system are OPEN.

If operating on a self-contained propane cylinder, slowly open cylinder valve.

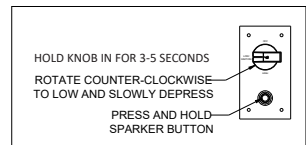
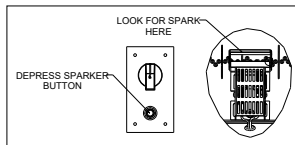
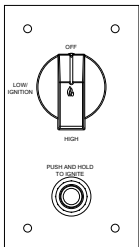
Press and hold sparker button. Verify an audible and visible spark is present within the ignition wind guard.

Gently press and turn control knob to LOW/IGNITION position. Fully depress control knob and hold for 3-5 seconds. Burner should ignite and continue to operate when control knob is released.

If burner does not light or remain lit after 20 seconds of attempting ignition, turn control valve to OFF position and wait 5 minutes to allow gas to dissipate before attempting ignition again.

DO NOT ATTEMPT TO LIGHT BURNER IF YOU SMELL GAS.

With burner lit and operating, the flame height can be adjusted between LOW and HIGH at any time.





6. WARNINGS



IMPORTANT



Please consult your Crystal Fire® Plus instruction manual for detailed instructions and important information related to the burner installation including: lighting and operating instructions, safety information, and proper tightening of connections with two wrenches.

DO NOT ATTEMPT TO INSTALL CRYSTAL FIRE® PLUS BURNER WITHOUT FIRST CONSULTING THE CRYSTAL FIRE® PLUS OWNER'S MANUAL.



WARNING



After consulting the manual and following instructions, remember: before operating, all gas connections must be fully checked for leaks.



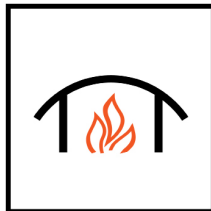
WARNING: This product can expose you to chemicals including Carbon Monoxide and Benzene which are known to the State of California to cause cancer or birth defects or reproductive harm. For more information, visit www.P65Warnings.ca.gov

Thank you for purchasing an
Outdoor GreatRoom Company
product! This fire pit was made
with pride in the USA.



Warranty: Fire pit tables are covered under a 1 year
manufacturer's warranty.

Please visit <http://www.outdoorrooms.com/product-registration>
to register your product.



9583 217th St. W. • Lakeville, MN 55044

Toll Free: 1-866-303-4028 • Sales@OutdoorRooms.com