



Alcott Gas Fire Table

with 12" x 24" Crystal Fire® Plus Burner

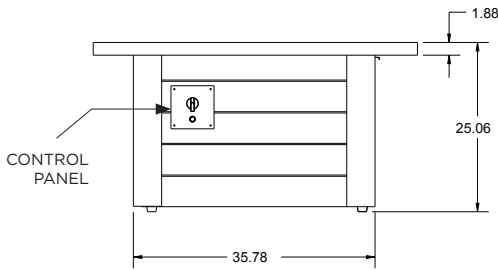
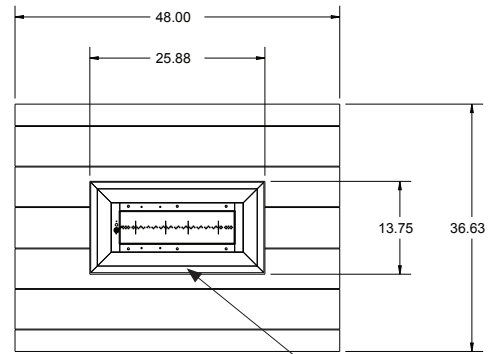
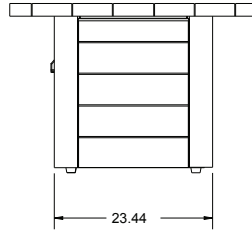
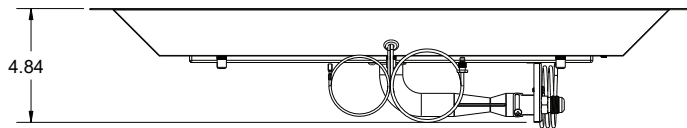


TABLE SIDE VIEW

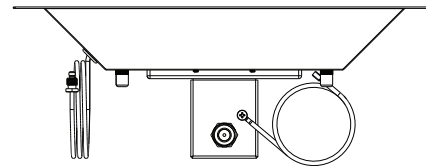


CRYSTAL FIRE PLUS® GLASS BURNER

TABLE TOP VIEW



BURNER FRONT ELEVATION



BURNER SIDE ELEVATION

Specifications:

PRODUCT NAME with DSI*	WEIGHT	BTUs (LP/NG)	FIRE MEDIA	BURNER USED with DSI*	BURNER WEIGHT
ALC-1224 *ALC-1224CFDSINGL/ ALC-1224CFDSILPI	225 LBS	55,000	10 LBS	CFP1224-K *CFP1224DSILP/CFP1224DSING	17 LBS

*EACH TABLE INCLUDES A GREY GLASS COVER AND CLEAR GLASS GEMS. OTHER FIRE MEDIA AND GLASS WIND GUARD (GLASS GUARD-20-R) SOLD SEPARATELY.
TESTING AGENCY: UNDERWRITERS LABORATORIES (UL LLC)
STANDARD: ANSI Z21.97-02017 / CSA 2.41-2017 OUTDOOR DECORATIVE GAS APPLIANCES

Notes:

- CLEARANCE TO COMBUSTIBLES**
 - 72" from top of burner to any overhead combustible material. 24" from edge of burner trim to any combustible side walls. 4" from bottom of burner to combustible materials.
- GAS SUPPLY**
 - Natural gas - Operating Supply Pressure: Min 6" W.C.; Max 10.5" W.C.; Ideal 7" W.C.
 - Liquid Propane gas - Operating Supply Pressure: Min 8" W.C.; Max 14" W.C.; Ideal 11" W.C.
- ELECTRICAL**
 - RECOMMENDED: A readily accessible outlet on GFCI circuit should be installed within the enclosure to local electrical code. A weather proof cover (PT# CF-DSI-JB or equivalent) should be used. Must follow required local electrical code.
- CONTROLS**
 - Controls located on the Appliance Structure: Low voltage switch comes standard with DSI Burners. Optional 60-Minute Timer (PT# CF-DSI-60MT) or 4-Hour Timer (PT# 4HRTC) can replace low voltage switch.
 - Controls located away from the Appliance Structure: Outdoor-rated switches and timers (PT# CF-DSI-60MT) can be located on GFCI Circuit to control power to the junction box. Note: If operating burner with switch away from the appliance, the low voltage switch must be set to the ON position. Another option is to bypass the switch with PT# CF-DSI-SB.
 - Emergency Gas Shut Off: The E-Stop comes optional for the Direct Spark Ignition (DSI) burner and can be installed on the GFCI circuit to cut power to the appliance's junction box which will shut off flame.