



---

# TECHNICAL SPECS

TECHNICAL  
SPECS

# AERIS

## TECHNICAL SPECS

### INCLUDES:

- Cocoon Shell
- Combustion Chamber
- Burner Mounting Plate
- Removable Tray Bracket
- Hanging Pole(s) with Ceiling Bracket

### MATERIALS & FINISH:

#### COCOON SHELL & CEILING BRACKET:

- **Stainless Steel:** 316 Marine Grade Stainless Steel Mirror Finish
- **Matt Black:** Carbon Steel with High Heat Resistant Black Finish (paint: 70% matt, 30% satin finish)

#### HANGING POLES:

- **Stainless Steel:** 316 Marine Grade Stainless Steel Hairline Finish
- **Matt Black:** Carbon Steel with High Heat Resistant Black Finish (paint: 70% matt, 30% satin finish)

#### COMBUSTION CHAMBER:

- 304 Marine Grade Stainless Steel Hairline Finish

### DIMENSIONS:

#### COCOON SHELL:

- Diameter 60cm (23.7" in)
- Height 38cm (15" in)

#### HANGING SYSTEM:

##### Standard Ceiling Bracket:

- Diameter 19cm (7.5" in)
- Height 2.5cm (1" in)

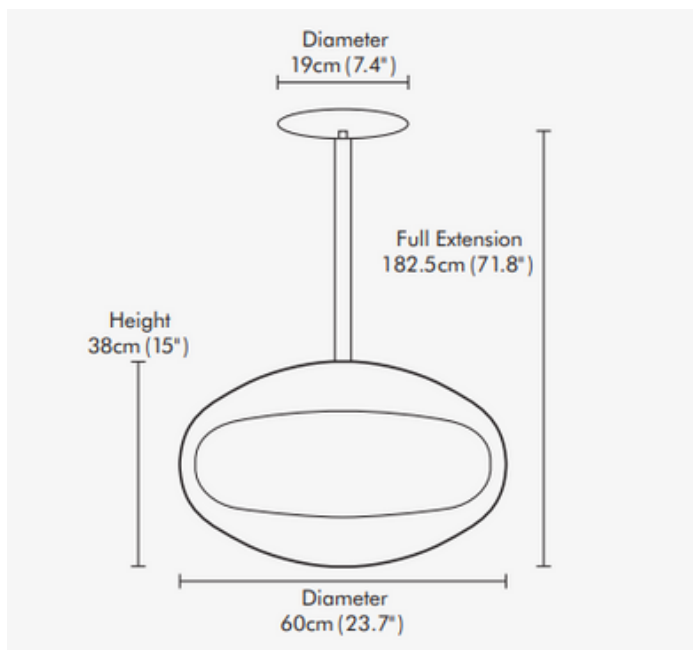
##### Angled Ceiling Bracket:

- Diameter 19cm (7.5" in)
- Height 2.5cm (1" in)

\*Additional Ceiling Brackets are available so your Cocoon Aeris can be hung in various locations throughout your home.

## HANGING SYSTEM IN STAINLESS STEEL

---

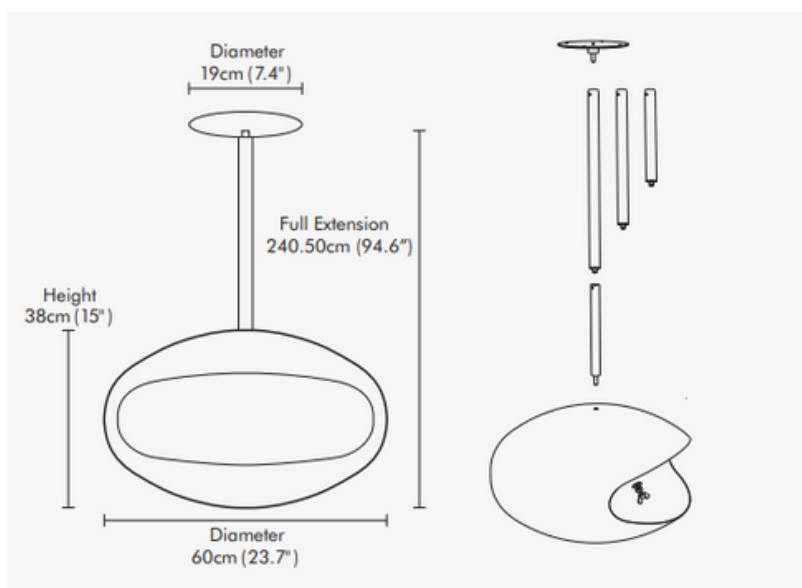


### Adjustable Hanging Pole in Stainless Steel:

- 360° rotation possible
- Telescopic mechanism for height adjustment
- 6 height positions
- Full hanging system extension 142cm (56" in)
- Height Positions :
  - 98.5cm (38.8" in) – minimum extension,
  - 107.5cm (42.3" in),
  - 116.5cm (45.8" in),
  - 125.5cm (49.4" in),
  - 134.5cm (53" in)
- 182.5cm (72" in) – full extension (including the Shell)

## HANGING SYSTEM IN BLACK

---



### Adjustable Hanging Pole in Black

- 360° rotation NOT possible
- Combination of extension poles for height adjustment
- Full hanging system extension 202.50cm (80" in)
- Extension Poles:
  - (25cm (10" in) connection pole (not optional))
  - 25cm (10" in) extension pole
  - 50cm (20" in) extension pole
  - 100cm (40" in) extension pole
- 240.50cm (94.6" in) – full extension (including the Shell)

# PEDESTAL

## TECHNICAL SPECS

### INCLUDES:

- Cocoon Shell
- Combustion Chamber
- Burner Mounting Plate
- Removable Tray Bracket
- Pedestal Base

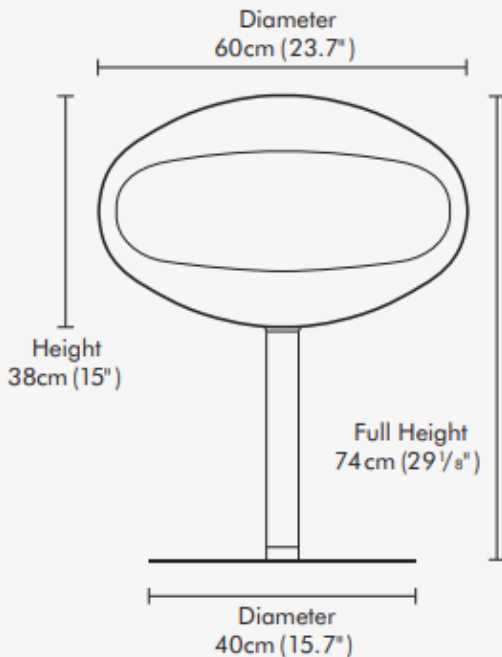
### MATERIALS & FINISH:

#### COCOON SHELL & PEDESTAL STAND:

- **Stainless Steel:** 316 Marine Grade Stainless Steel Mirror Finish
- **Matt Black:** Carbon Steel with High Heat Resistant Black Finish (paint: 70% matt, 30% satin finish)

#### COMBUSTION CHAMBER:

- 304 Marine Grade Stainless Steel Hairline Finish



### DIMENSIONS:

#### COCOON SHELL:

- Diameter 60cm (23.7" in)
- Height 38cm (15" in)

#### PEDESTAL STAND:

- Diameter 40cm (15.7" in)
- Height 36cm (14.17" in)
- Overall Height 74cm (29.13" in) including Cocoon shell

# VELLUM

## TECHNICAL SPECS

### INCLUDES:

Cocoon Shell  
Combustion Chamber

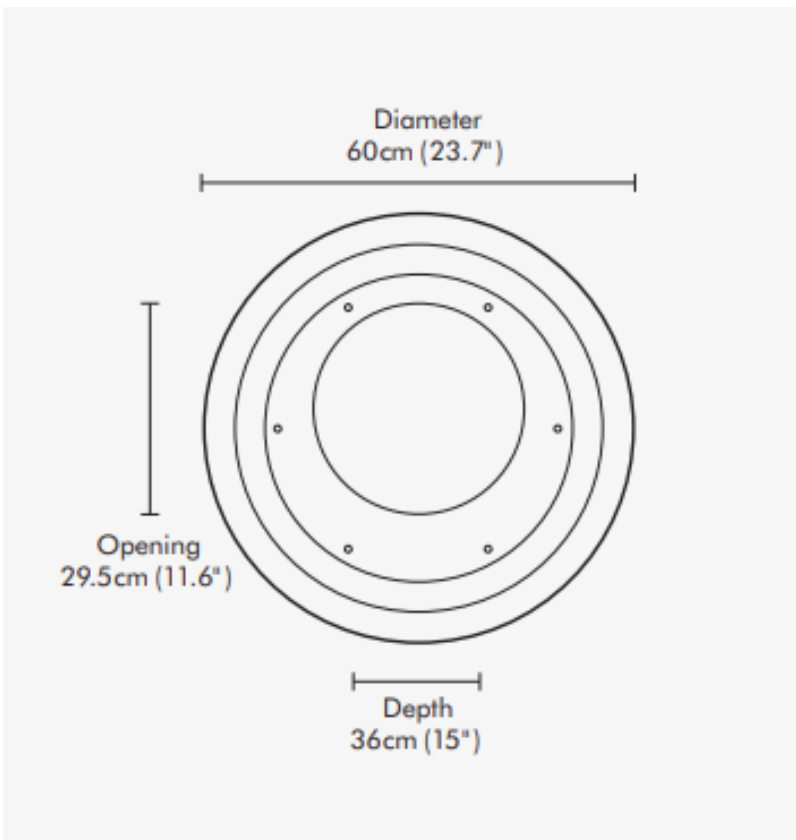
### MATERIALS & FINISH:

#### COCOON SHELL & LEGS:

- **Stainless Steel:** 316 Marine Grade Stainless Steel  
Mirror Finish
- **Matt Black:** Carbon Steel with High Heat Resistant  
Black Finish (paint: 70% matt, 30% satin finish)

#### COMBUSTION CHAMBER:

- 304 Marine Grade Stainless Steel Hairline Finish



### DIMENSIONS:

- Diameter 60cm (23.62" in)
- Opening 29.5cm (11.61" in)
- Depth 36cm (14.17" in)

