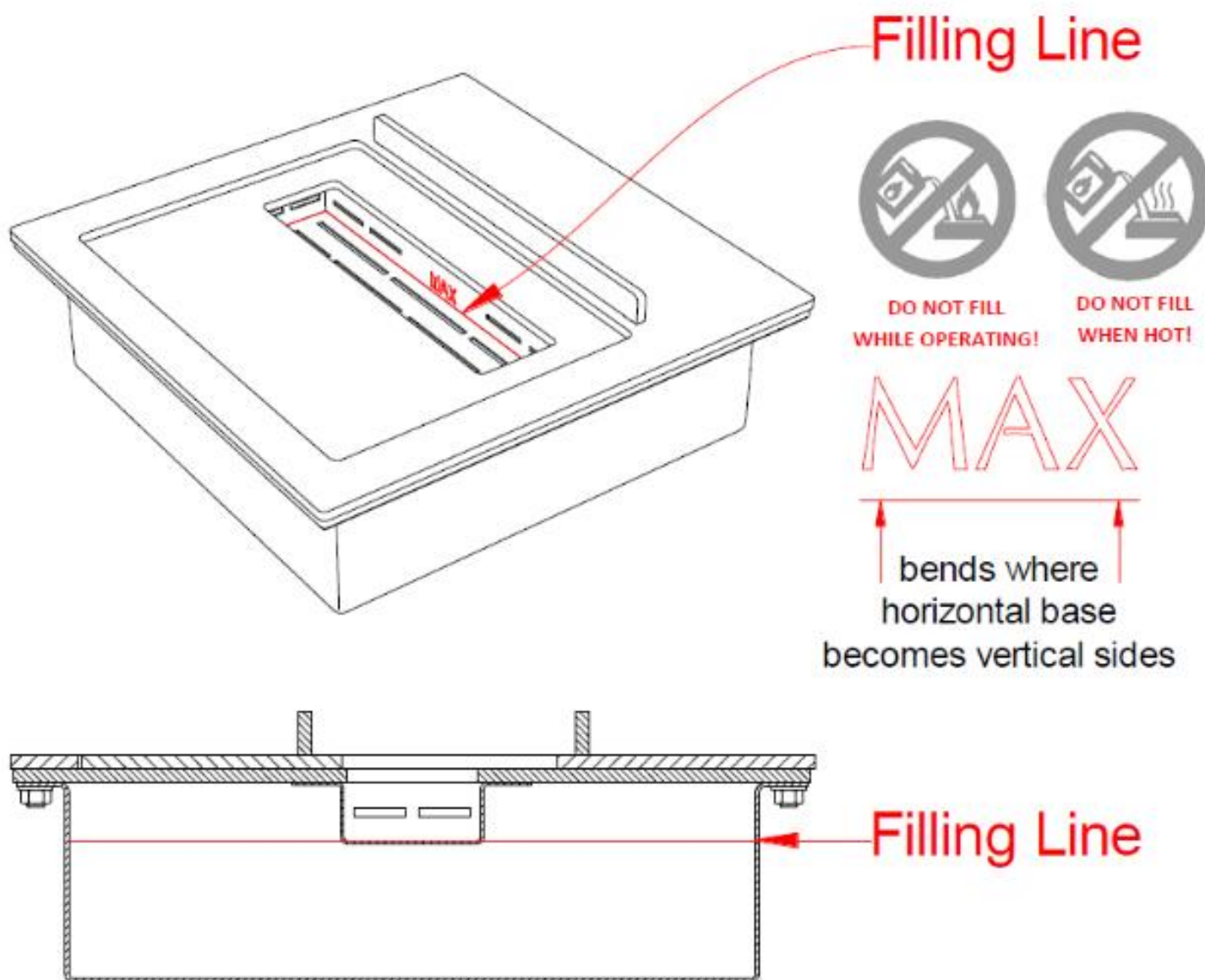


## OPERATING THE COCOON BURNER

**NOTE:** Overfilling will cause the apparatus to burn at higher temperature rates resulting in the apparatus being difficult to turn off.

In Australia it is mandatory for all products to be supplied with a Fuel Canister which has a flame arrestor. Cocoon Fires supplies a fuel cannister with a flame arrestor in the Australian market. We recommend in all markets to use a fuel cannister with a flame arrestor.

**IMPORTANT:** Please ensure the burner is removed from the Main Body before filling with fuel.



Fuel Capacity	Thermal Output kW	Heats on Average	Consumption	Burning Time
1.5L	3.02	35m <sup>2</sup>	0.39 L/H	3-5 Hours

To fill the Combustion Chamber, remove it from the Main Body using the Lifting Handles and pour fuel inside the Vent Opening being careful not to spill. Fill up to the fill line as indicated in red with no more than 1.5L of fuel (3-5 hrs burning time). After filling is done, wipe away any spilled or excess fuel before returning the Combustion Chamber to the Mount Plate opening.

**NOTE:** after filling the Combustion Chamber, place the fuel dispenser used to fill it with and any other forms of fuel or combustible items at a safe distance away before proceeding to start the fireplace.