

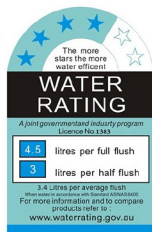
# VOGHERA RIMLESS

**15**  
YEARS  
WARRANTY



Water Mark

AS 1172.1  
1172.2  
Licence NO.  
WMK25759



## MODEL

VOGHERA RIMLESS

## CODE

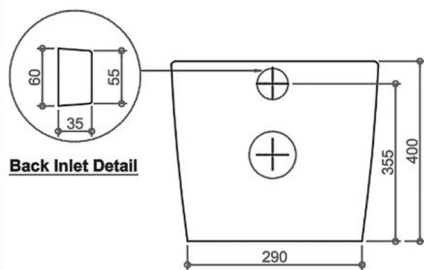
IVWFPRL (FACTORY CODE: 3381)

## FEATURES

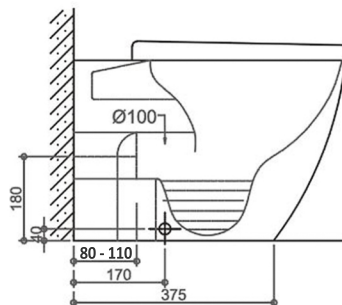
Rimless Flushing Technology  
Soft Close Thick Seat (ISC28)  
For Use with R&T or  
Geberit Frameless Concealed Cistern  
S-trap (IS16) Setout 70-110mm  
Optional Trap: P-trap (IS15)  
Optional Seat: Soft Close Slim Seat (ISC88)  
Code: IVWFPRL-VA

## SPECIFICATIONS

**FRONT VIEW**



**SIDE VIEW**



**TOP VIEW**

