

Last modification 2022-03-15

## NOVIO TL-AGOP 9329501061008



### Overview

<b>Family name</b>	Novio
<b>Categories</b>	Table Lamps
<b>This item includes</b>	Glass
<b>Switch</b>	Inline Switch
<b>Usage</b>	Indoor Lighting
<b>ERAC Product Registration</b>	72510

### Color / Material

<b>Fixture Color</b>	Antique Gold,Opal Matt
<b>Fixture Material</b>	Iron,Glass
<b>Shade Material</b>	Glass
<b>Base Color</b>	Antique Gold
<b>Base Material</b>	Iron
<b>Glass Color</b>	Opal Matt
<b>Cable Color</b>	Black
<b>Cable Material</b>	PVC

### Size

<b>Fixture Diameter (cm)</b>	20.0
<b>Fixture Height (cm)</b>	30.0
<b>Base Diameter (cm)</b>	12.0
<b>Base Height (cm)</b>	10.0
<b>Glass Diameter</b>	20.00
<b>Cable Length (cm)</b>	180 (30+Inline Switch+150)

### Specification

<b>Voltage Input</b>	240V
<b>Wattage (max)</b>	25
<b>Globe Type</b>	E27
<b>Globe / Light Source qty</b>	1
<b>Globe / Light Source included</b>	No
<b>Electrical Protection</b>	CLASS II - DOUBLE INSULATED, EARTH NOT REQUIRED

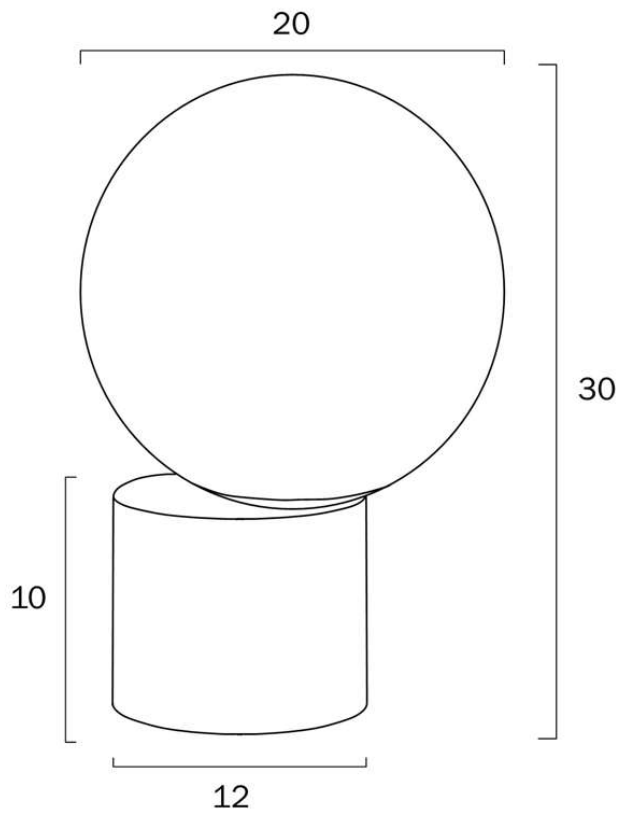
All representations within this document are subject to copyright. ELECTRICAL INSTALLATIONS MUST BE PERFORMED BY A QUALIFIED ELECTRICAL CONTRACTOR AND INSTALLED IN ACCORDANCE WITH AS/NZS 3000.  
NOTE : All images , descriptions and dimensions are indicative. Please check latest version of item detail on Telbix website prior to ordering or installation.

<b>IP rating</b>	IP20
<b>Lead and Plug</b>	Yes
<b>Approvals</b>	AS/NZ 3000
<b>Assembly Required</b>	Yes
<b>Box Contents</b>	Instruction
<b>Care Instructions</b>	Do not use strong liquid cleaners,Wipe clean with a dry cloth
<b>Warranty</b>	3 Years

Barcode

**GTIN** 9329501061008

Image -dimensions





Last modification 2022-03-15

## NOVIO TL-BKOP 9329501061015



### Overview

<b>Family name</b>	Novio
<b>Categories</b>	Table Lamps
<b>This item includes</b>	Glass
<b>Switch</b>	Inline Switch
<b>Usage</b>	Indoor Lighting
<b>ERAC Product Registration</b>	72510

### Color / Material

<b>Fixture Color</b>	Black,Opal Matt
<b>Fixture Material</b>	Iron,Glass
<b>Shade Material</b>	Glass
<b>Base Color</b>	Black
<b>Base Material</b>	Iron
<b>Glass Color</b>	Opal Matt
<b>Cable Color</b>	Black
<b>Cable Material</b>	PVC

### Size

<b>Fixture Diameter (cm)</b>	20.0
<b>Fixture Height (cm)</b>	30.0
<b>Base Diameter (cm)</b>	12.0
<b>Base Height (cm)</b>	10.0
<b>Glass Diameter</b>	20.00
<b>Cable Length (cm)</b>	180 (30+Inline Switch+150)

### Specification

<b>Voltage Input</b>	240V
<b>Wattage (max)</b>	25
<b>Globe Type</b>	E27
<b>Globe / Light Source qty</b>	1
<b>Globe / Light Source included</b>	No
<b>Electrical Protection</b>	CLASS II - DOUBLE INSULATED, EARTH NOT REQUIRED

All representations within this document are subject to copyright. ELECTRICAL INSTALLATIONS MUST BE PERFORMED BY A QUALIFIED ELECTRICAL CONTRACTOR AND INSTALLED IN ACCORDANCE WITH AS/NZS 3000.  
NOTE : All images , descriptions and dimensions are indicative. Please check latest version of item detail on Telbix website prior to ordering or installation.

<b>IP rating</b>	IP20
<b>Lead and Plug</b>	Yes
<b>Approvals</b>	AS/NZ 3000
<b>Assembly Required</b>	Yes
<b>Box Contents</b>	Instruction
<b>Care Instructions</b>	Do not use strong liquid cleaners,Wipe clean with a dry cloth
<b>Warranty</b>	3 Years

Barcode

**GTIN** 9329501061015

Image -dimensions

