

Last modification

2023-01-18

HOFF TL-BKOM

9329501064795



Introducing the Hoff table and floor lamp, a sophisticated and elegant lighting option for any room in your home. The lamp features a simple black marble base, providing a sturdy and stable foundation for the antique gold body. The opal matt ribbed glass provides a warm and diffused light, making it perfect for reading or relaxing. The antique gold finish on the body gives the lamp a vintage and luxurious feel, making it a great choice for homes with a timeless aesthetic. With its unique combination of materials and design, the Hoff table and floor lamp is sure to be a stylish and functional addition to your home.

Overview

Family name	Hoff
Categories	Table Lamps
This item includes	Glass
Shade Shape	Dome
Switch	Inline Switch
Usage	Indoor Lighting
ERAC Product Registration	SAA-210304-EA

Color / Material

Fixture Color	Antique Gold,Black Marble,Opal Matt
Fixture Material	Glass,Iron,Marble
Shade Material	Glass
Base Color	Antique Gold,Black Marble
Base Material	Iron,Marble
Glass Color	Opal Matt
Cable Color	Black
Cable Material	PVC

Size

Fixture Length (cm)	26.5
Fixture Width (cm)	19.5
Fixture Height (cm)	49.0
Base Diameter (cm)	18.0
Base Height (cm)	49.0
Glass Diameter	19.50
Glass Height (cm)	13.0

All representations within this document are subject to copyright.ELECTRICAL INSTALLATIONS MUST BE PERFORMED BY A QUALIFIED ELECTRICAL CONTRACTOR AND INSTALLED IN ACCORDANCE WITH AS/NZS 3000.
NOTE : All images , descriptions and dimensions are indicative. Please check latest version of item detail on Telbix website prior to ordering or installation.

Cable Length (cm) 180 (30+Inline Switch+150)

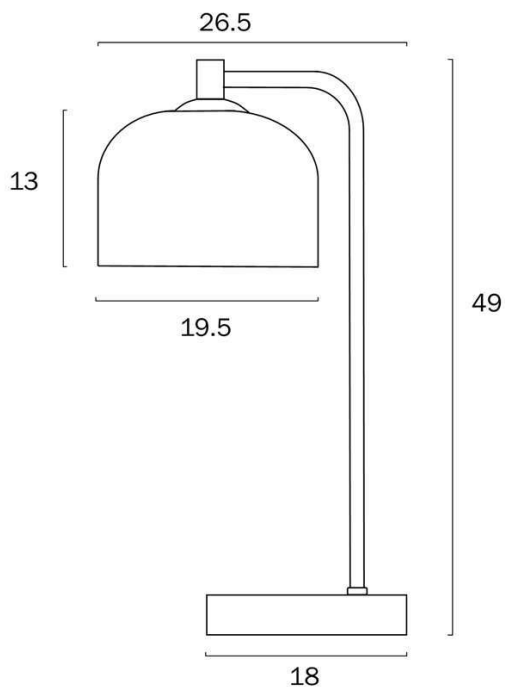
Specification

Voltage Input 240V
Wattage (max) 25
Globe Type E27
Globe / Light Source qty 1
Globe / Light Source included No
Dimmable Globe Dependant
Electrical Protection CLASS II - DOUBLE INSULATED, EARTH NOT REQUIRED
IP rating IP20
Lead and Plug Yes
Approvals RCM
Assembly Required Yes
Box Contents Instruction
Care Instructions Do not use strong liquid cleaners,Wipe clean with a dry cloth
Replacement Warranty *3 Years

Barcode

GTIN 9329501064795

Image -dimensions



Note: Dimensions are only a guide and may vary due to manufacturing variations.

