



# product specification

www.oriel-lighting.com.au

## WAREHOUSE.31

SKU:OL2260/31BK

Industrial style warehouse or barn shade only. Designed to fit on an E27 lampholder, looks great with our PART1 or ALBANY suspensions. White painted on the inside provides excellent light reflection. Use our shade adapter ring (OLA16/SHADE) to reduce the E27 opening to suit a B22 (Bayonet) lampholder or batten holder.

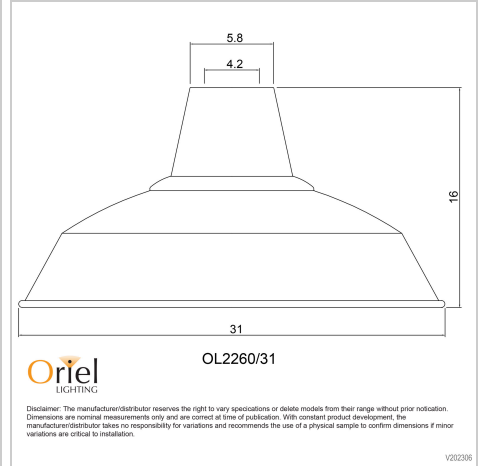
### Additional information



<b>Brand</b>	Oriel Lighting
<b>Colour</b>	BLACK
<b>Finish</b>	MATT
<b>Globe Qty</b>	1
<b>Globe Type</b>	E27
<b>Max. Wattage</b>	60W
<b>Globe Included</b>	NO
<b>Recommended Globe</b>	A-LED-7109140
<b>Voltage</b>	240V
<b>Overall Height</b>	16
<b>Overall Width</b>	31
<b>Overall Depth</b>	31
<b>Fitting Height</b>	16
<b>Fitting Diameter</b>	31
<b>Shade Fitting Type</b>	E27 43mm
<b>Primary Material</b>	Steel

<b>Supplier Code</b>	OL2260/31BK
<b>UPI</b>	9324879222860
<b>In The Box</b>	1 x Shade
<b>Electrician To Install</b>	DIY shade – installed on existing cord set or fitting
<b>Warranty / Guarantee</b>	12 Month Replacement Guarantee

**Images**



Unless stated, fittings do not include globes (bulbs). No representations are made as to the suitability of this product for your application. All fixed lights (other than DIY lights) should be installed by a licensed electrical contractor. Due to continuing product development, some specifications may change over time. Refer to our detailed Terms and Conditions, online at: [www.oriel-lighting.com.au](http://www.oriel-lighting.com.au) | Details and specifications are current at the time of printing, and with constant product development, subject to change.

(c) Oriel Lighting



quality lighting at affordable prices | specifications subject to change without notice - check the website for the latest information | [www.oriel-lighting.com.au](http://www.oriel-lighting.com.au)