



The ultimate experience with  
Philips Cinema Xenon lamps



**PHILIPS**



## Philips Cinema Xenon lamps

Philips Cinema Xenon Lamps are high power short arc discharge lamps designed specifically for the film cinema projection market. The arc is formed in an atmosphere of pure xenon gas which creates a broad spectrum white light with outstanding color rendition, ideal for showing films in the brilliant and vivid colors that the director intended. Philips Cinema Xenon Lamps are available in three product ranges:

Standard, fitting all leading film cinema projectors, Helios<sup>®</sup>, a high performance alternative for those applications requiring greater lamp efficiency and/or brightness and Digital, designed for the demanding requirements of today's digital cinema projectors. All Philips Cinema Xenon Lamps offer long life, high stability and instant ignition.

## Index

Philips Standard Xenon

page 4-11

Philips Helios<sup>®</sup> Xenon

page 12-15

Philips Digital Xenon lamps

page 16-18

Photometric Characteristics

page 19

# Philips Standard Xenon lamps

Philips Standard Xenon lamps are point source arc discharge lamps that produce high intensity white light for today's demanding film projection applications. With one of the broadest product lines in the industry, Philips Standard Xenon lamps fit all leading film cinema projectors. Using top quality, ozone-free quartz and high purity electrode materials,

these lamps provide flicker free performance and reliable ignition over the entire lamp life time. Philips Standard Xenon lamps offer long life and trouble-free operation backed by the best customer support in the industry.

Features	Benefits
Pure xenon fill gas	Constant color properties for the life of the lamp
Approximately 6000K color temperature	Pure, white light, matching the spectral distribution of the sun
Hot Restrike	Hot re-ignition is possible ensuring the availability of the light at any time
High arc stability	Provides flicker free operation

**Product naming Abbreviations**

<b>H</b>	horizontal
<b>HC</b>	horizontal with cable
<b>HS</b>	short lamp
<b>HSC</b>	short lamp with cable
<b>HTP</b>	lamp with threaded pin
<b>HTT</b>	threaded on both ends
<b>SHSC</b>	super short lamp

Product	Power (W)	Voltage (V)	Current (A)	Lumen Output	Min/Max (A)	Ignition Voltage (kV)	Cooling (min. air flow ft./s)	Burning position	Magnet	Lifetime (h)	Ordering code
Philips LTIX-700W-HS	700	18	37	20.000	30/45	33	20	+/- 20 deg v/h	-	1500	9284 103 06301
Philips LTIX-700W-HSC	700	18	37	20.000	30/45	33	20	+/- 20 deg v/h	-	1500	9284 104 06301
Philips LTIX-900W-H	900	19	45	30.000	30/53	33	20	+/- 30 deg v	-	2400	9284 106 06301
Philips LTIX-1000W-HS	1000	19	50	32.000	30/55	33	20	+/- 20 deg v/h	-	1500	9284 107 06301
Philips LTIX-1000W-HSC	1000	19	50	32.000	30/55	33	20	+/- 20 deg v/h	-	1500	9284 108 06301
Philips LTIX-1000W-HTP	1000	21	45	35.000	30/55	33	20	+/- 30 deg v/h	required	2400	9284 109 06301
Philips LTIX-1600W-H	1600	24	65	60.000	45/75	33	20	+/- 30 deg v/h	-	2400	9284 120 06301
Philips LTIX-1600W-HC	1600	24	65	60.000	45/75	33	30	+/- 30 deg v/h	-	2400	9284 121 06301
Philips LTIX-1600W-HS	1550	23	65	60.000	50/70	33	20	+/- 20 deg v/h	-	1500	9284 122 06301
Philips LTIX-1600W-HSC	1550	23	65	60.000	50/70	33	20	+/- 20 deg v/h	-	1500	9284 124 06301
Philips LTIX-2000W-H	2000	27	70	80.000	50/85	36	20	+/- 30 deg v/h	horizontal required	2400	9284 135 06301
Philips LTIX-2000W-HC	2000	27	70	80.000	50/85	36	20	+/- 30 deg v/h	horizontal required	2400	9284 136 06301
Philips LTIX-2000W-HS	2000	24	80	80.000	50/85	36	20	+/- 30 deg v/h	-	2400	9284 141 06301
Philips LTIX-2000W-HTP	2000	27	70	80.000	50/85	36	20	+/- 30 deg v/h	horizontal required	2400	9284 142 06301
Philips LTIX-2000W-HTT	2000	24	80	80.000	50/85	36	20	+/- 20 deg v/h	-	2400	9284 143 06301
Philips LTIX-2000W-SHSC	2000	27	70	80.000	50/85	36	20	+/- 20 deg v/h	-	2400	9284 144 06301
Philips LTIX-2500W-H	2500	29	83	100.000	60/95	36	20	+/- 30 deg v	-	1800	9284 110 06201
Philips LTIX-2500W-HS	2500	28	90	100.000	70/100	36	20	+/- 30 deg v/h	-	1500	9284 114 06201
Philips LTIX-3000W-H	3000	29	100	130.000	60/100	36	20	+/- 30 deg v/h	required	1500	9284 119 06201
Philips LTIX-3000W-HC	3000	29	100	130.000	60/100	36	20	+/- 30 deg v/h	required	1500	9284 120 06201
Philips LTIX-3000W-HS	3000	29	100	130.000	60/110	36	20	+/- 30 deg v/h	required	1500	9284 125 06201
Philips LTIX-3000W-HTP	3000	29	100	130.000	60/110	36	20	+/- 30 deg v/h	horizontal required	1500	9284 126 06201
Philips LTIX-4000W-HTP	4000	30	130	155.000	100/140	36	20	+/- 20 deg v/h	-	1200	9284 141 06201

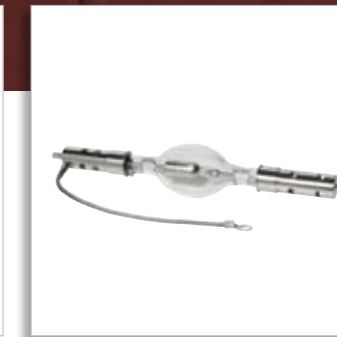
Dimensions and drawings on page 6 - 11



Philips LTIX-2000W-HS



Philips LTIX-3000W-HTP



Philips LTIX-4500W-HS

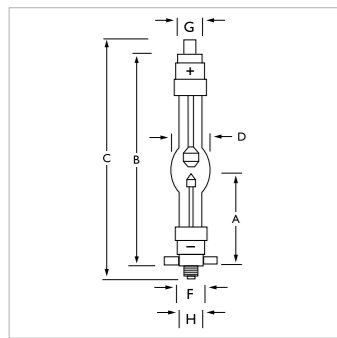
Product	Power (W)	Voltage (V)	Current (A)	Lumen Output	Min/Max (A)	Ignition Voltage (kV)	Cooling (min. air flow ft./s)	Burning position	Magnet	Lifetime (h)	Ordering code
Philips LTIX-4200W-H	4200	29	140	190.000	80/160	36	20	+/- 20 deg v/h	-	1000	9284 147 06201
Philips LTIX-4200W-HC	4200	29	140	190.000	80/160	36	20	+/- 20 deg v	-	1000	9284 148 06201
Philips LTIX-4500W-HS	4000	29	135	155.000	80/150	36	20	+/- 30 deg v/h	horizontal required	1000	9284 155 06201
Philips LTIX-4500W-HTP	4500	30	150	155.000	80/150	36	20	+/- 15 deg v/h	horizontal required	1000	9284 156 06201
Philips LTIX-5000W-H	5000	33	140	225.000	100/150	36	20	+/- 15 deg v/h	required	1000	9284 158 06201
Philips LTIX-5000W-HS	5000	33	140	225.000	100/150	36	20	+/- 15 deg v/h	horizontal required	800	9284 160 06201
Philips LTIX-5001W-H	5000	33	140	225.000	100/150	36	20	+/- 15 deg v/h	horizontal required	800	9284 162 06201
Philips LTIX-6000W-HS	6000	37	160	320.000	110/165	44	20	+/- 15 deg v/h	horizontal required	500	9284 169 06201
Philips LTIX-6000W-HTP	6000	37	160	320.000	110/165	44	20	+/- 15 deg v/h	horizontal required	500	9284 170 06201
Philips LTIX-6002W-HS	6000	37	160	350.000	110/165	44	20	+/- 15 deg v/h	required	500	9284 173 06201
Philips LTIX-6500W-H	6500	40	160	325.000	80/160	44	20	+/- 15 deg v/h	required	500	9284 178 06201
Philips LTIX-7000W-H	7000	41	160	350.000	110/165	44	20	+/- 15 deg v/h	-	600	9284 180 06201
Philips LTIX-7000W-HS	7000	41	160	350.000	110/165	44	20	+/- 15 deg v/h	horizontal required	600	9284 183 06201
Philips LTIX-10000W-HS	10000	50	200	510.000	190/210	45	33	+/- 15 deg v/h	horizontal required	500	9284 191 06201

Dimensions and drawings on page 6 - 11

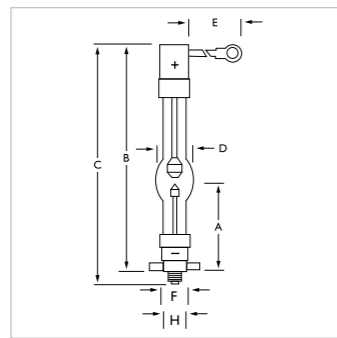
# Philips Standard Xenon lamps

Product	Length				E lead length	Diameter			Arc gap (mm)
	A	B	C	D		F	G	H	
	distance (mm)	length max (mm)	length max (mm)	diameter (mm)		Anode/Cathode base diameter (mm)	Anode pin diameter (mm)	Cathode pin diameter (mm) or thread type	
<b>Philips LTIX-700W-HS</b>	95	205	235	40	-	27	11	8	3.2
<b>Philips LTIX-700W-HSC</b>	95	222	235	40	254	27	-	5/16-18UNC-2A	3.2
<b>Philips LTIX-900W-H</b>	123	277	325	40	-	25	10	12	4.0
<b>Philips LTIX-1000W-HS</b>	95	205	235	40	-	27	11	5/16-18UNC-2A	3.5
<b>Philips LTIX-1000W-HSC</b>	95	222	235	40	254	27	-	5/16-18UNC-2A	3.5
<b>Philips LTIX-1000W-HTP</b>	121.5	275	328	46	-	25	14	M14 x 1.5	5.0
<b>Philips LTIX-1600W-HS</b>	95	205	235	46	-	27	11	5/16-18UNC-2A	4.0

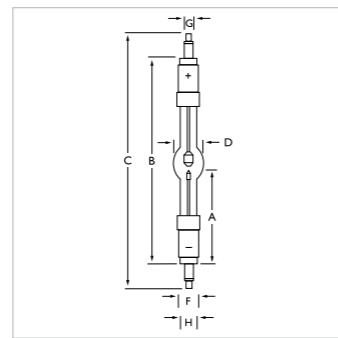
Product specifications on page 4 - 5



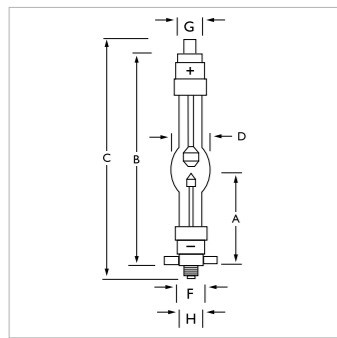
Philips LTIX-700W-HS



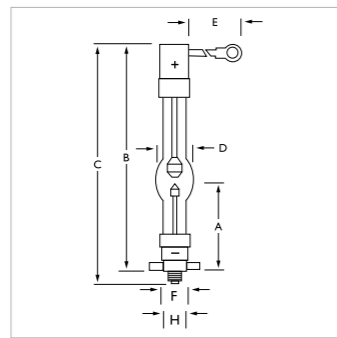
Philips LTIX-700W-HSC



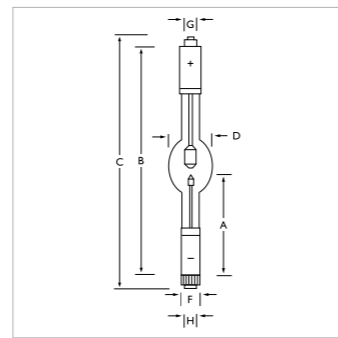
Philips LTIX-900W-H



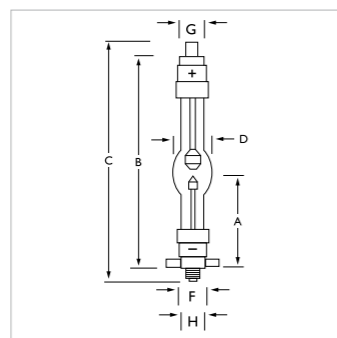
Philips LTIX-1000W-HS



Philips LTIX-1000W-HSC



Philips LTIX-1000W-HTP

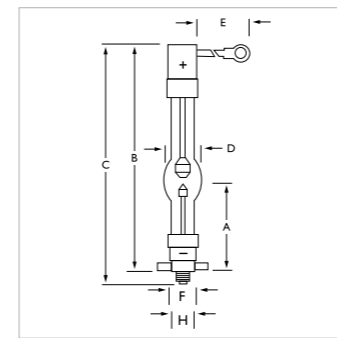


Philips LTIX-1600W-HS

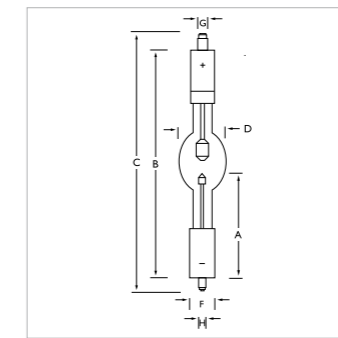
# Philips Standard Xenon lamps

Product	Length				E lead length	Diameter			Arc gap (mm)
	A	B	C	D		F	G	H	
	distance (mm)	length max (mm)	length max (mm)	diameter (mm)		Anode/Cathode base diameter (mm)	Anode pin diameter (mm)	Cathode pin diameter (mm) or thread type	
<b>Philips LTIX-1600W-HSC</b>	95	222	235	46	254	27	-	5/16-18UNC-2A	4.0
<b>Philips LTIX-1600W-H</b>	142.5	322	370	52	-	27	10	12	4.8
<b>Philips LTIX-1600W-HC</b>	142.5	322	370	52	280	27	10	12	4.8
<b>Philips LTIX-2000W-H</b>	142.5	322	370	52	280	27	10	12	5.8
<b>Philips LTIX-2000W-HC</b>	142.5	322	270	52	280	27	10	12	5.8
<b>Philips LTIX-2000W-HS</b>	145	302	342	60	280	27	9.5	7.9	5.0

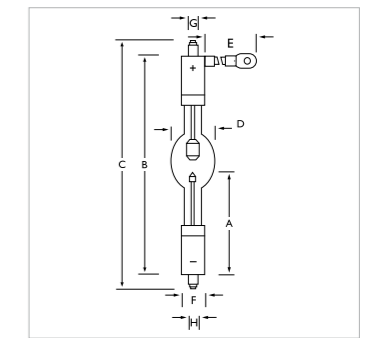
Product specifications on page 4 - 5



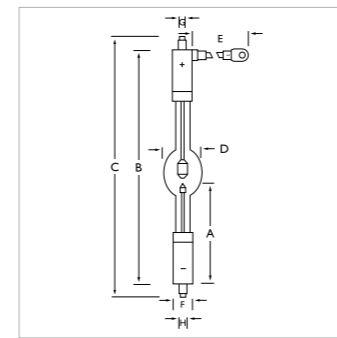
Philips LTIX-1600W-HSC



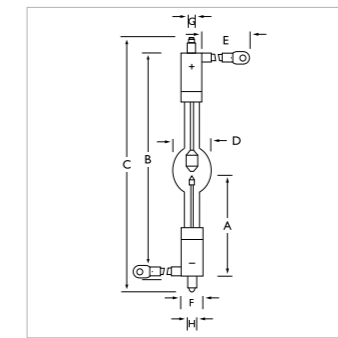
Philips LTIX-1600W-H



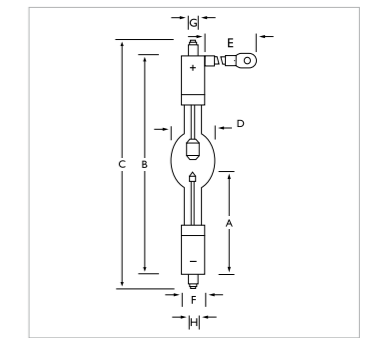
Philips LTIX-1600W-HC



Philips LTIX-2000W-H



Philips LTIX-2000W-HC

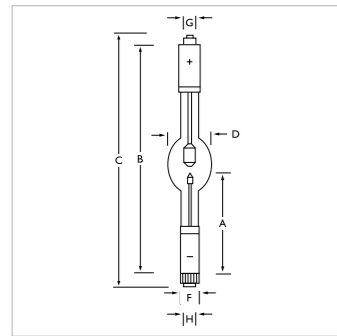


Philips LTIX-2000W-HS

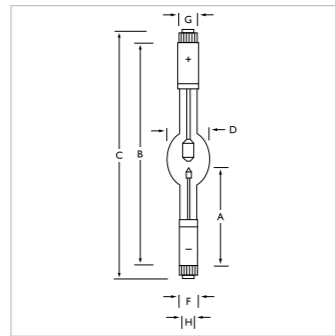
# Philips Standard Xenon lamps

Product	Length				E lead length	Diameter			Arc gap (mm)
	A	B	C	D		F	G	H	
	distance (mm)	length max (mm)	length max (mm)	diameter (mm)		Anode/Cathode base diameter (mm)	Anode pin diameter (mm)	Cathode pin diameter (mm) or thread type	
<b>Philips LTIX-2000W-HTP</b>	142	322	375	52	-	25	14	M14 x 1.5	6.0
<b>Philips LTIX-2000W-HTT</b>	142.5	322	370	52	-	25	10	10	6.0
<b>Philips LTIX-2000W-SHSC</b>	95	222	235	46	254	27	-	5/16-18UNC-2A	5.0
<b>Philips LTIX-2500W-H</b>	167.5	382	428	60	280	27	13	14	6.9
<b>Philips LTIX-2500W-HS</b>	145	302	342	60	280	27	9.5	7.9	5.5
<b>Philips LTIX-3000W-H</b>	167.5	382	428	66	280	27	13	14	7.0

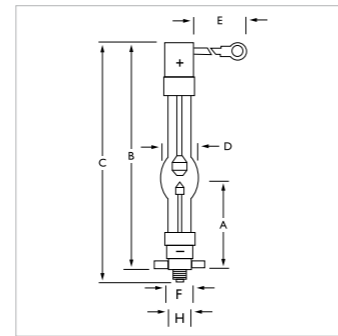
Product specifications on page 4 - 5



Philips LTIX-2000W-HTP



Philips LTIX-2000W-HTT

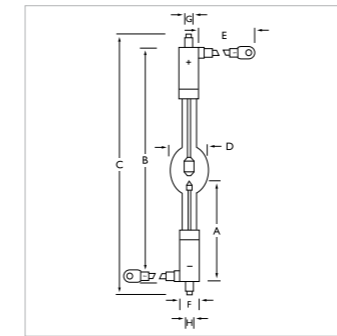


Philips LTIX-2000W-SHSC

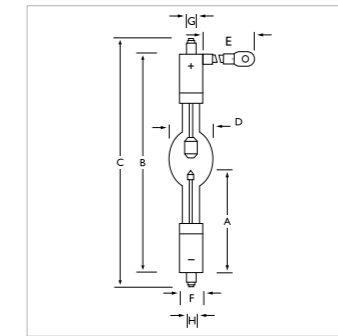
# Philips Standard Xenon lamps

Product	Length				E lead length	Diameter			Arc gap (mm)
	A	B	C	D		F	G	H	
	distance (mm)	length max (mm)	length max (mm)	diameter (mm)		Anode/Cathode base diameter (mm)	Anode pin diameter (mm)	Cathode pin diameter (mm) or thread type	
<b>Philips LTIX-3000W-HC</b>	167.5	382	428	66	280	27	13	14	7.0
<b>Philips LTIX-3000W-HS</b>	145	302	342	60	280	27	9.5	7.9	6.0
<b>Philips LTIX-3000W-HTP</b>	162.5	357	405	66	-	27	14	M14 x 1.5	6.0
<b>Philips LTIX-4000W-HTP</b>	167.5	382	433	70	-	27	14	M14 x 1.5	7.0
<b>Philips LTIX-4200W-H</b>	167.5	382	428	70	305	27	13	14	7.1
<b>Philips LTIX-4200W-HC</b>	167.5	382	428	70	305	27	13	14	7.1

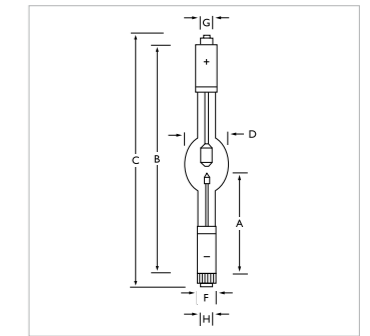
Product specifications on page 4 - 5



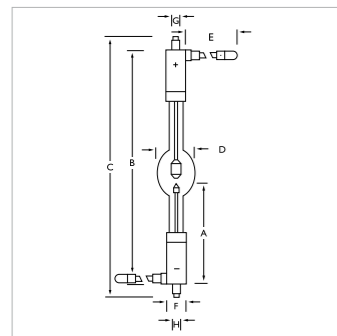
Philips LTIX-3000W-HC



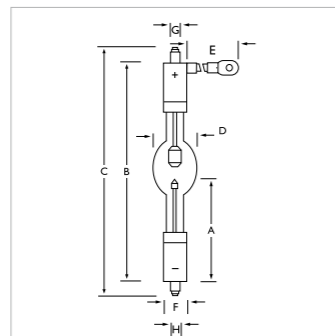
Philips LTIX-3000W-HS



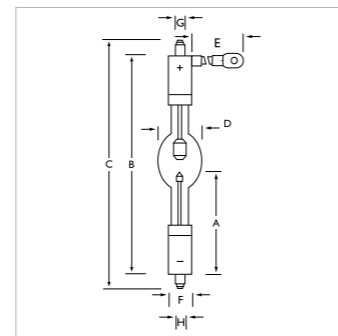
Philips LTIX-3000W-HTP



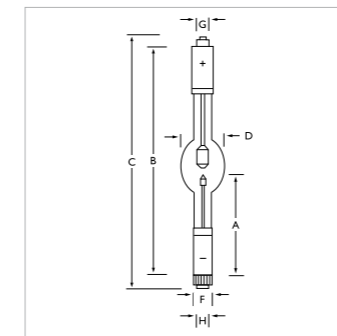
Philips LTIX-2500W-H



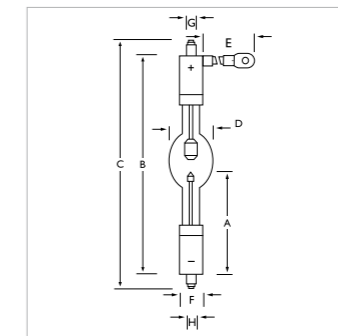
Philips LTIX-2500W-HS



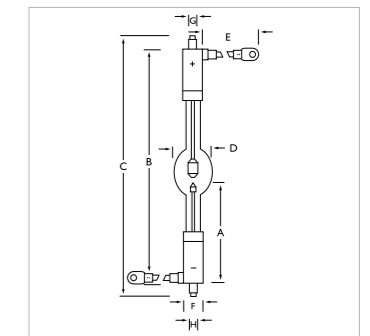
Philips LTIX-3000W-H



Philips LTIX-4000W-HTP



Philips LTIX-4200W-H

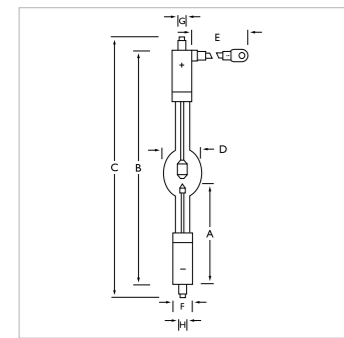


Philips LTIX-4200W-HC

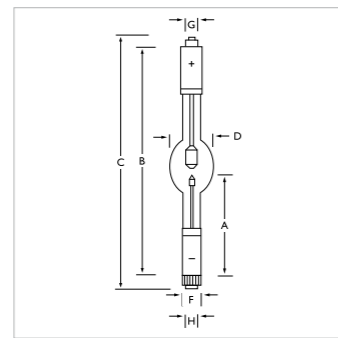
# Philips Standard Xenon lamps

Product	Length				Diameter				Arc gap (mm)
	A	B	C	D	E	F	G	H	
	distance (mm)	length max (mm)	length max (mm)	diameter (mm)	lead length	Anode/Cathode base diameter (mm)	Anode pin diameter (mm)	Cathode pin diameter (mm) or thread type	
<b>Philips LTIX-4500W-HS</b>	171	370	410	70	305	30	9.5	7.9	7.0
<b>Philips LTIX-4500W-HTP</b>	166.5	380	433	70	-	27	14	M14 x 1.5	7.8
<b>Philips LTIX-5000W-H</b>	167.5	382	428	70	305	27	16	18	8.0
<b>Philips LTIX-5000W-HS</b>	171	370	410	70	305	30	9.5	7.9	7.5
<b>Philips LTIX-5001W-H</b>	168	382	428	70	305	27	13	14	8.0
<b>Philips LTIX-6000W-HS</b>	170.5	370	410	78	305	30	9.5	7.9	9.0

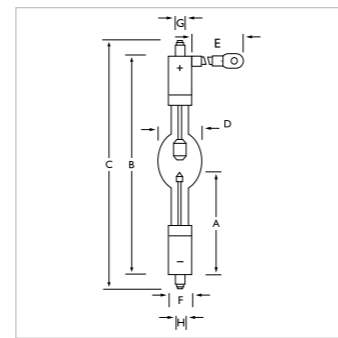
Product specifications on page 4 - 5



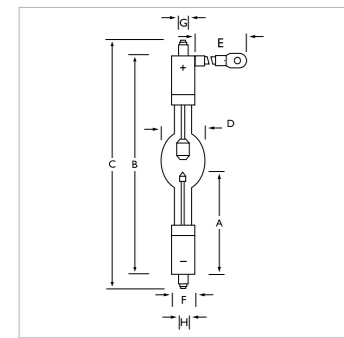
Philips LTIX-4500W-HS



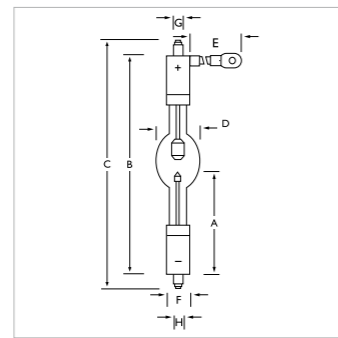
Philips LTIX-4500W-HTP



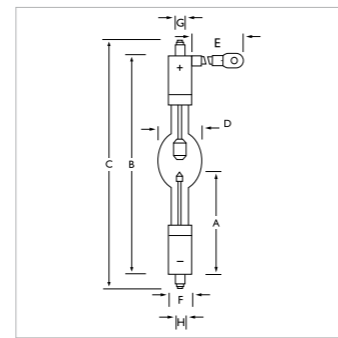
Philips LTIX-5000W-H



Philips LTIX-5000W-HS



Philips LTIX-5001W-H

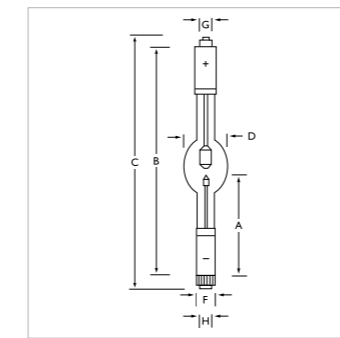


Philips LTIX-6000W-HS

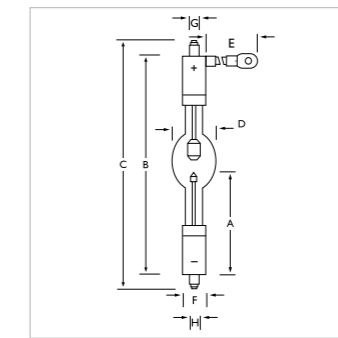
# Philips Standard Xenon lamps

Product	Length				Diameter				Arc gap (mm)
	A	B	C	D	E	F	G	H	
	distance (mm)	length max (mm)	length max (mm)	diameter (mm)	lead length	Anode/Cathode base diameter (mm)	Anode pin diameter (mm)	Cathode pin diameter (mm) or thread type	
<b>Philips LTIX-6000W-HTP</b>	166.5	380	420	78	-	27	14	M14 x 1.5	9.0
<b>Philips LTIX-6002W-HS</b>	170.5	393	433	78	370	30	9.5	7.9	9.0
<b>Philips LTIX-6500W-H</b>	200	434	483	78	305	30	20	22	11.0
<b>Philips LTIX-7000W-H</b>	170	382	433	78	305	30	13	14	11.0
<b>Philips LTIX-7000W-HS</b>	170.5	393	433	78	305	30	9.5	7.9	11.0
<b>Philips LTIX-10000W-HS</b>	170	390	435	90	457	30	9.5	14	13.7

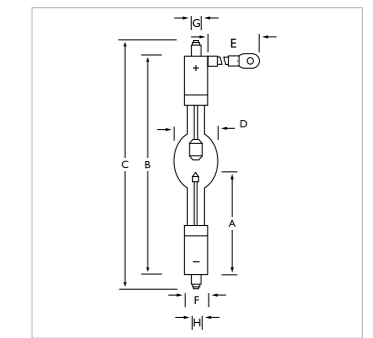
Product specifications on page 4 - 5



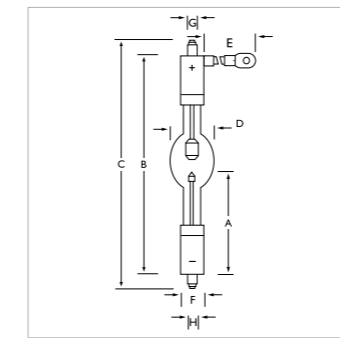
Philips LTIX-6000W-HTP



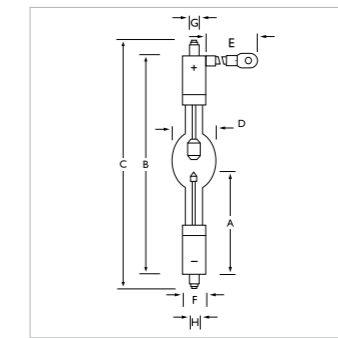
Philips LTIX-6002W-HS



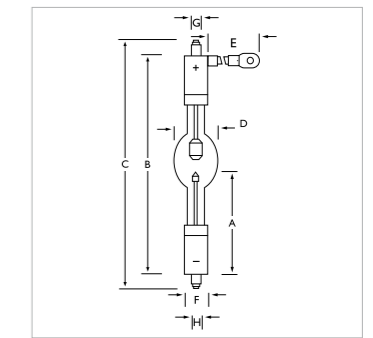
Philips LTIX-6500W-H



Philips LTIX-7000W-H



Philips LTIX-7000W-HS



Philips LTIX-10000W-HS

# Philips Helios® Xenon lamps

In use by the largest exhibitors in the world, Philips Helios lamps are high performance xenon lamps that can in many cases solve light output problems in older equipment, reduce energy consumption and provide lower cost of ownership. Helios lamps are completely interchangeable

with standard lamps and require no equipment modifications or special alignment. Join these satisfied world class customers by evaluating the benefits that Helios can bring to your cinema.

Features	Benefits
Can increase light output on screen at same lamp wattage (*)	Avoid upgrading older equipment
Can allow use of smaller wattage lamp while maintaining light output on screen (*)	Can reduce power consumption and lower cost of ownership
Drop-in replacement for standard lamps	- No lamp house modifications - No lens change required

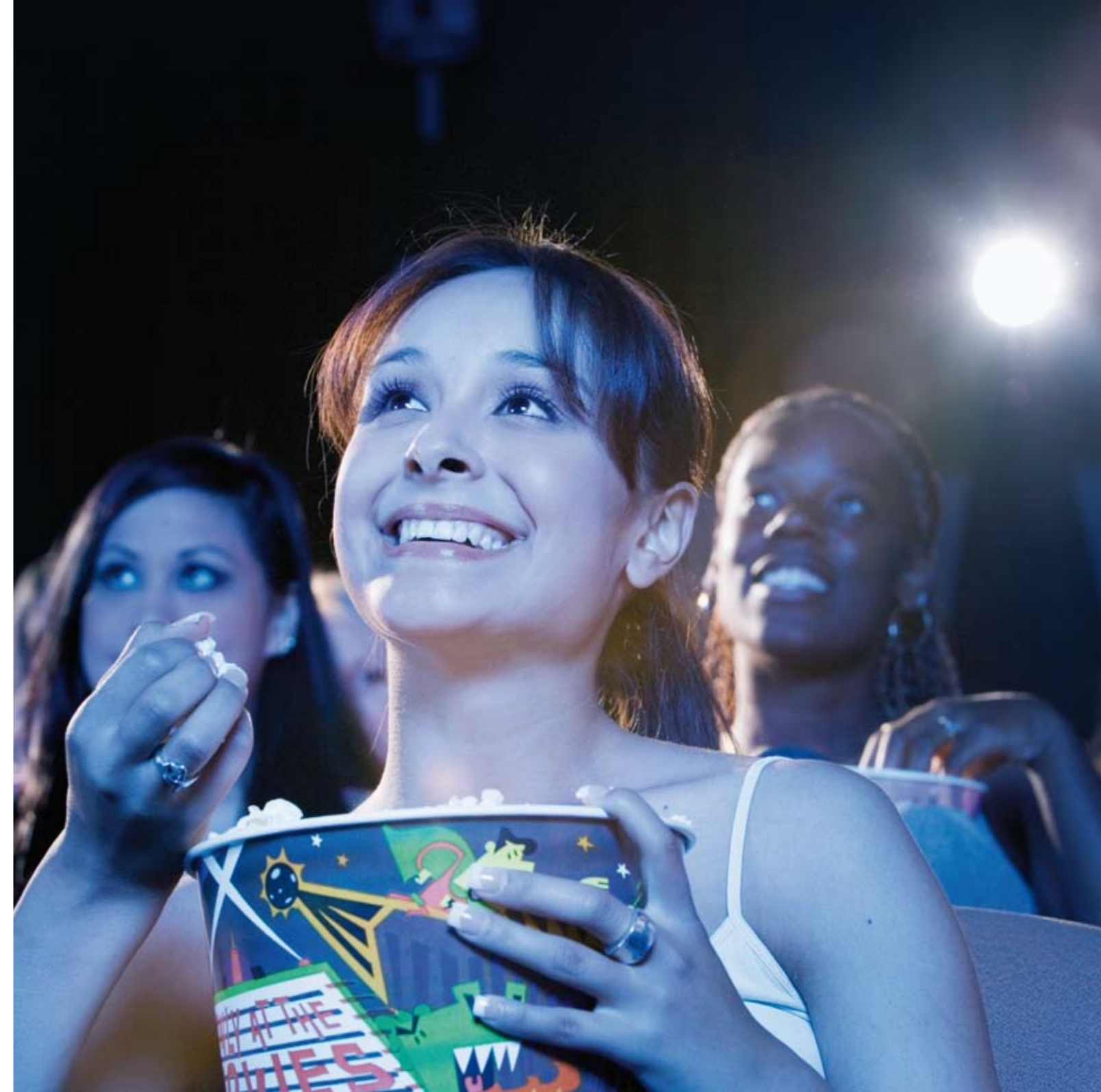
\* As there are many variations in equipment type and condition, as well as in lamp types, these improvements are not guaranteed. Philips encourages customers to test Helios lamps against their current lamps and see for themselves the benefits.

**Product naming Abbreviations**

<b>HE</b>	Helios®
<b>HEH</b>	Helios® standard lamp
<b>HEHS</b>	Short Helios®
<b>HETP</b>	Helios® lamp with threaded pin

Product	Power (W)	Voltage (V)	Current (A)	Lumen Output	Min/Max (A)	Ignition Voltage (kV)	Cooling (min. air flow ft./s)	Burning position	Magnet	Lifetime (h)	Ordering code
Philips LTIX-2000W-HEH	2000	27	70	80.000	50/85	36	20	+/- 20 deg	-	1800	9284 137 06301
Philips LTIX-2000W-HEHS	2000	24	80	80.000	50/85	36	20	+/- 30 deg	-	1800	9284 138 06301
Philips LTIX-2000W-HETP	2000	27	70	80.000	50/85	36	20	+/- 30 deg	-	1800	9284 140 06301
Philips LTIX-3000W-HEH	3000	29	100	130.000	60/110	36	20	+/- 30 deg	-	1200	9284 121 06201
Philips LTIX-3000W-HEHS	3000	29	100	130.000	60/110	36	20	+/- 30 deg	-	1200	9284 122 06201
Philips LTIX-3000W-HETP	3000	29	100	130.000	60/110	36	20	+/- 30 deg	-	1200	9284 124 06201
Philips LTIX-3005W-HEHS	3000	29	100	130.000	60/100	36	20	+/- 30 deg	-	1200	9284 135 06201
Philips LTIX-3005W-HETP	3000	29	100	130.000	60/110	36	20	+/- 30 deg	-	1200	9284 136 06201
Philips LTIX-4200W-HEH	4200	29	140	190.000	80/160	36	20	+/- 20 deg	required	700	9284 149 06201
Philips LTIX-4200W-HETP	4200	29	140	190.000	80/160	36	20	+/- 20 deg	required	700	9284 150 06201
Philips LTIX-4201W-HEH	4200	29	140	190.000	80/160	36	20	+/- 20 deg	required	700	9284 151 06201
Philips LTIX-4202W-HEHS	4200	29	140	190.000	80/160	36	20	+/- 20 deg	required	700	9284 152 06201
Philips LTIX-7000W-HEH	7000	41	160	350.000	110/165	44	20	+/- 15 deg	-	600	9284 181 06201
Philips LTIX-7000W-HEHS	7000	41	160	350.000	110/165	44	20	+/- 15 deg	horizontal required	600	9284 182 06201

Dimensions and drawings on page 14 - 15



Philips LTIX-2000W-HETP



Philips LTIX-4202W-HEHS

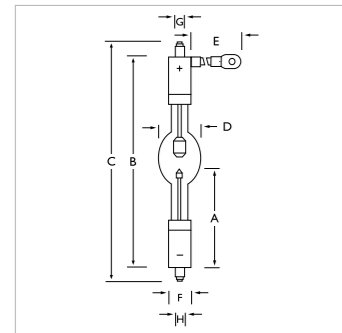
# Philips Helios® Xenon lamps

Product	Length				Diameter				Arc gap (mm)
	A distance (mm)	B length max (mm)	C length max (mm)	D diameter (mm)	E lead length	F Anode/Cathode base diameter (mm)	G Anode pin diameter (mm)	H Cathode pin diameter (mm) or thread type	
Philips LTIX-2000W-HEH	142.5	322	366	46	305	27	9.5	7.9	5.5
Philips LTIX-2000W-HEHS	145	302	337	46	280	27	9.5	7.9	5.0
Philips LTIX-2000W-HETP	142	322	375	46	-	24	14	M14 x 1.5	5.5
Philips LTIX-3000W-HEH	167.5	382	428	52	280	27	13	14	6.0
Philips LTIX-3000W-HEHS	145	302	342	52	280	27	9.5	7.9	6.0
Philips LTIX-3000W-HETP	162.5	357	405	52	-	27	9.5	7.9	6.0
Philips LTIX-3005W-HEHS	171	370	409	52	305	30	9.5	7.9	6.0
Philips LTIX-3005W-HETP	166.5	380	423	52	-	28	14	M14 x 1.5	6.0

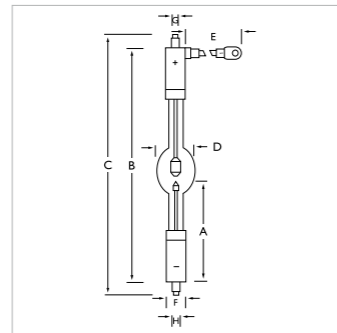
Product specifications on page 12

Product	Length				Diameter				Arc gap (mm)
	A distance (mm)	B length max (mm)	C length max (mm)	D diameter (mm)	E lead length	F Anode/Cathode base diameter (mm)	G Anode pin diameter (mm)	H Cathode pin diameter (mm) or thread type	
Philips LTIX-4200W-HEH	167.5	382	428	62	305	27	13	14	7.0
Philips LTIX-4200W-HETP	167.5	382	428	62	-	27	14	M14 x 1.5	7.0
Philips LTIX-4201W-HEH	167.5	382	428	62	305	27	16	18	7.0
Philips LTIX-4202W-HEHS	171	370	410	62	305	30	9.5	7.9	7.0
Philips LTIX-7000W-HEH	170	382	433	78	305	30	13	14	11.0
Philips LTIX-7000W-HEHS	170.5	393	433	70	305	30	9.5	7.9	11.0

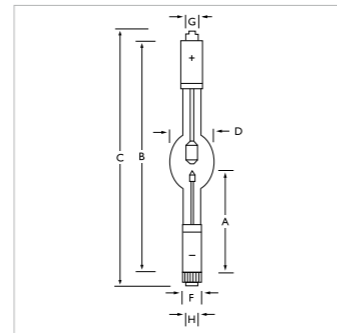
Product specifications on page 12



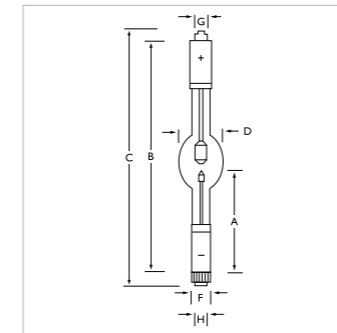
Philips LTIX-2000W-HEH



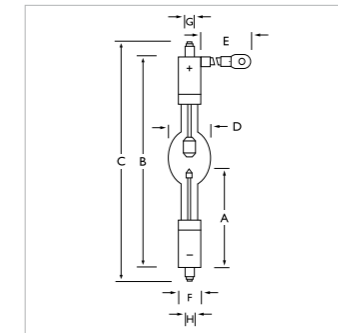
Philips LTIX-2000W-HEHS



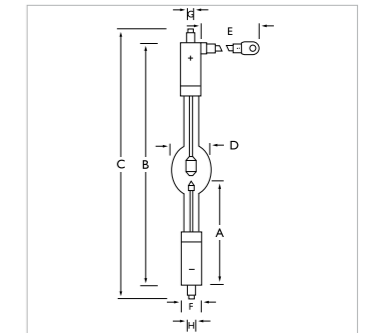
Philips LTIX-2000W-HETP



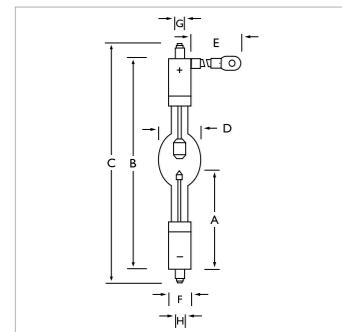
Philips LTIX-4200W-HETP



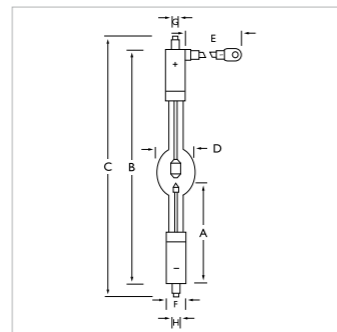
Philips LTIX-4201W-HEH



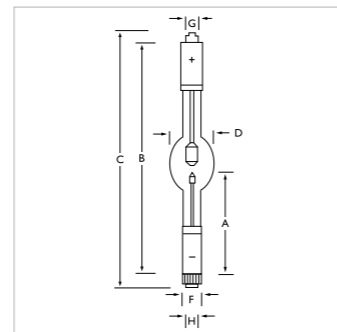
Philips LTIX-4202W-HEHS



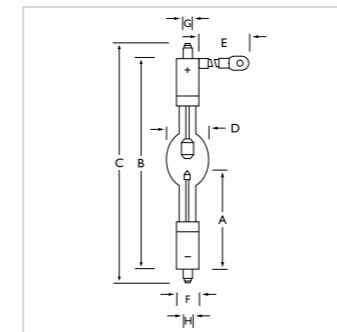
Philips LTIX-3000W-HEH



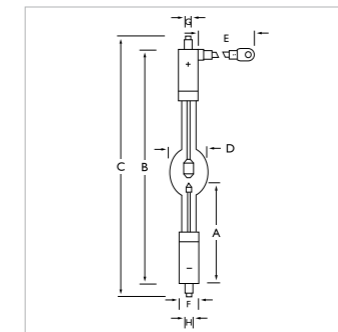
Philips LTIX-3000W-HEHS



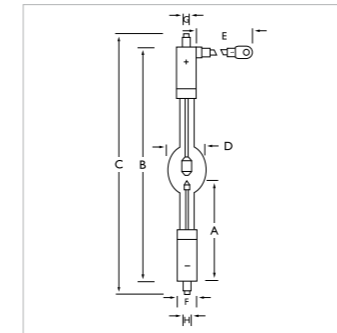
Philips LTIX-3000W-HETP



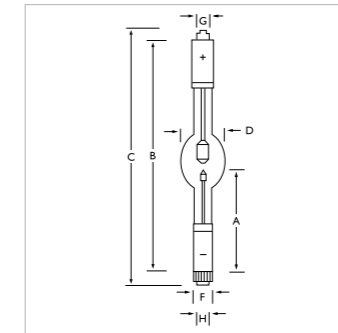
Philips LTIX-7000W-HEH



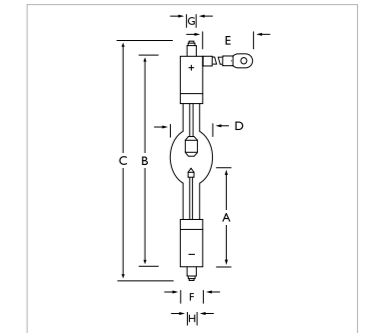
Philips LTIX-7000W-HEHS



Philips LTIX-3005W-HEHS



Philips LTIX-3005W-HETP



Philips LTIX-4200W-HEH



# Philips Digital Xenon lamps

Philips Digital Cinema Xenon lamps are especially designed for the demanding requirements of today's digital cinema projectors. Each lamp is customized by projector model to maximize projector performance. Philips Digital Cinema Xenon lamps provide the extra light output

needed for 3D presentations. For 2D presentations, Philips Digital lamps achieve long life while meeting stringent arc stability requirements. Philips works closely with leading projector OEMs to ensure lamp performance is a perfect match to projector requirements.

Features	Benefits
Higher light output than standard film lamps	Increased brightness on the screen
Advanced electrode design	Longer life and high arc stability
Customized by projector model	Optimum projector performance

Product	Power (W)	Voltage (V)	Current (A)	Lumen Output	Min/Max (A)	Ignition Voltage (kV)	Cooling (min. Air flow ft./s)	Burning position	Average Lifetime (h)	Ordering code
Philips XDC-3000B	3000	30	90	140.000	60/100	40	20	±15 deg	1500	9284 152 06301
Philips XDC-4000B	4000	33	120	170.000	100/130	40	20	±15 deg	750	9284 151 06301
Philips XDC-6500B	6500	38	170	300.000	140/175	40	20	±15 deg	500	9284 150 06301
Philips XDC-2000C	2000	25	80	80.000	50/90	36	20	±30 deg	2000	9284 133 06301
Philips XDC-3000C	3000	29	110	130.000	90/120	36	20	±20 deg	1500	9284 117 06201
Philips XDC-4500C	4500	33	140	190.000	120/160	36	20	±15 deg	1000	9284 153 06201
Philips XDC-6000C	6000	40	155	270.000	110/160	40	20	±15 deg	900	9284 167 06201
Philips XDC-3000S	3000	28	100	140.000	80/115	35	20	±15 deg	1000	9284 118 06201
Philips XDC-4200S	4200	31	135	190.000	80/148	35	20	±15 deg	500	9284 146 06201
Philips XDC-4000N	4000	32	125	170.000	105/135	40	20	±15 deg	750	9284 154 06301
Philips XDC-4500N	4500	33	140	190.000	100/150	36	20	±15 deg	1000	9284 154 06201
Philips XDC-6000N	6000	40	155	280.000	110/160	36	20	±15 deg	750	9284 168 06201
Philips XDC-6000TA	6000	35	170	270.000	140/175	40	20	±15 deg	1000	9284 149 06301
Philips XDC-6500TA	6500	38	170	300.000	140/175	40	20	±15 deg	700	9284 146 06301

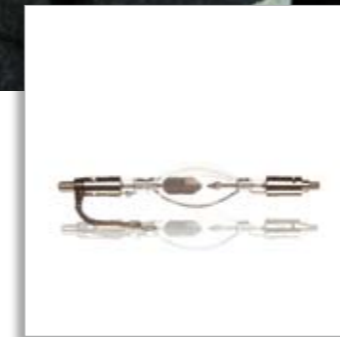
Drawings on page 18

Product	Length				Diameter				Arc/gap (mm)
	A	B	C	D	E	F	G	H	
	distance (mm)	length max (mm)	length max (mm)	diameter (mm)	Lead Length	Anode/Cathode Base Dia	Anode pin diameter	Cathode pin dia or thread type	
Philips XDC-3000B	123	294	341	55	132	27	13.9	M12 x 1.75	4.4
Philips XDC-4000B	123	294	341	60	132	27	13.9	M12 x 1.75	6.1
Philips XDC-6500B	170.5	391	433	70	152	30	9.4	7.9	7.5
Philips XDC-2000C	162	351	397	55	-	27	14	M14 x 1.50	4.4
Philips XDC-3000C	162	351	397	60	-	28	14	M14 x 1.50	5.5
Philips XDC-4500C	165	381	413	70	-	30	14	M14 x 1.50	6.0
Philips XDC-6000C	165	381	413	70	-	30	14	M14 x 1.50	8.0
Philips XDC-3000S	128	295	336	60	203	28/30	14	20	4.1
Philips XDC-4200S	128	295	336	60	-	28/30	14	20	4.3
Philips XDC-4000N	147	306	331.5	60	180	28/27	20	14	4.9
Philips XDC-4500N	170	387	425	70	750	30	14	20	6.0
Philips XDC-6000N	171.5	387	425	70	750	30	14	20	8.0
Philips XDC-6000TA	170.5	294	433	70	400	30	9.4	7.9	7.0
Philips XDC-6500TA	170.5	294	433	70	400	30	9.4	7.9	7.5

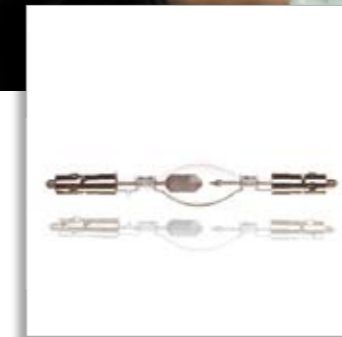
Drawings on page 18



Photo courtesy of RealD



Philips XDC-4000B



Philips XDC-6000C



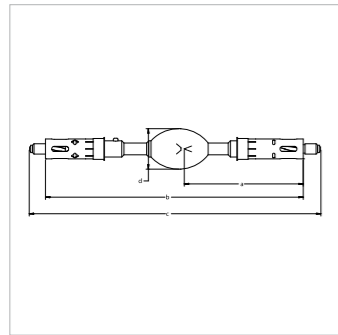
Philips XDC-4200S

Projector Brand	Projector Model	Lamp Wattage	Philips Lamp
Christie	CP2000-SB	6K	Philips XDC-6000C
	CP2000-XB		
	CP2000-SB	4.5K	Philips XDC-4500C
	CP2000-SB	3K	Philips XDC-3000C
	CP2000-XB		
	CP2000-ZX		
NEC	CP2000-SB	2K	Philips XDC-2000C
	CP2000-XB		
	CP2000-ZX		
	NC125005	6K	Philips XDC-6000N
		4.5K	Philips XDC-4500N
	NC1600S	4K	Philips XDC-4000N

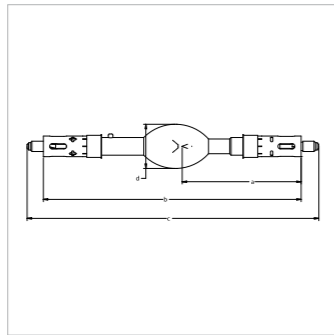
Projector Brand	Projector Model	Lamp Wattage	Philips Lamp
Sony	SRX-R220	4K	Philips XDC-4200S
		3K	Philips XDC-3000S
Barco	DP-1500	4K	Philips XDC-4000B
	DP-2000		
	DP-1500 / DP-2000	3K	Philips XDC-4000B
	DP-3000	6.5K	Philips XDC-6500B
Kinoton	DCP 70 / DCP 30	6.5K	Philips XDC-6500TA
		6K	Philips XDC-6000TA
Cinemecanica	CMC3 D2	6.5K	Philips XDC 6500TA
		6K	Philips XDC 6000TA

# Philips Digital Xenon lamps

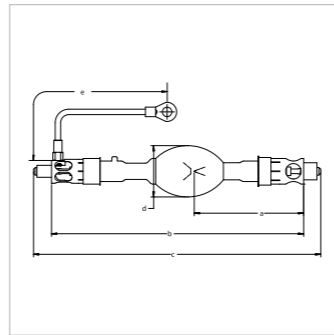
Product specifications on page 16



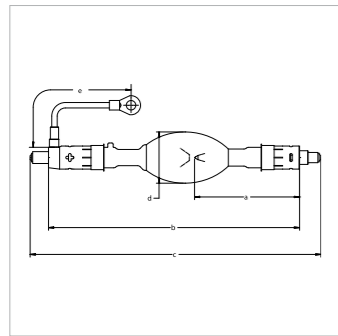
Philips XDC-2000C



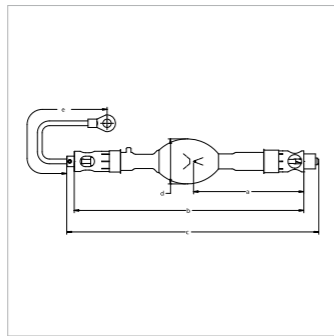
Philips XDC-3000C



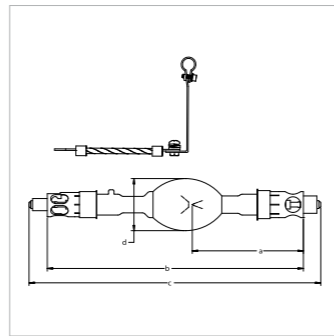
Philips XDC-3000S



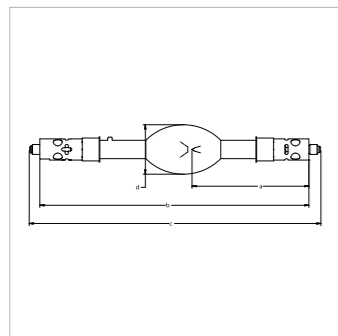
Philips XDC-4000B



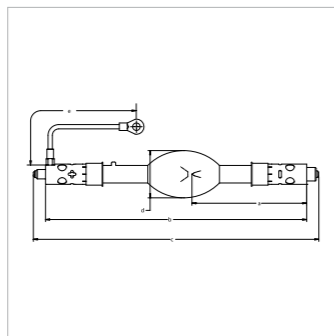
Philips XDC-4000N



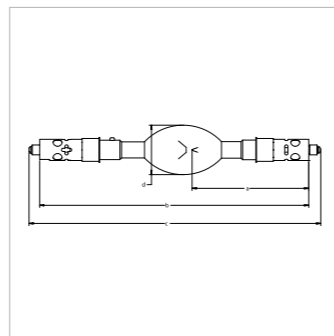
Philips XDC-4200S



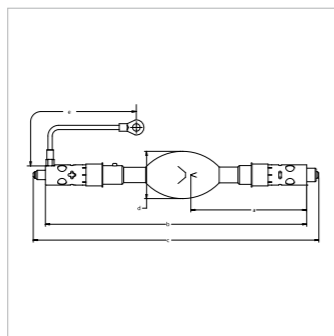
Philips XDC-4500C



Philips XDC-4500N

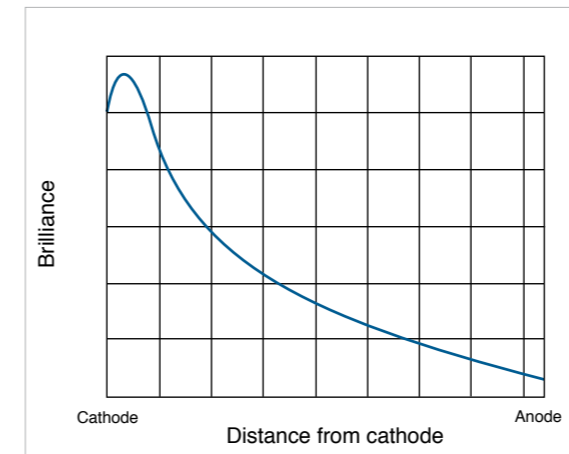


Philips XDC-6000C

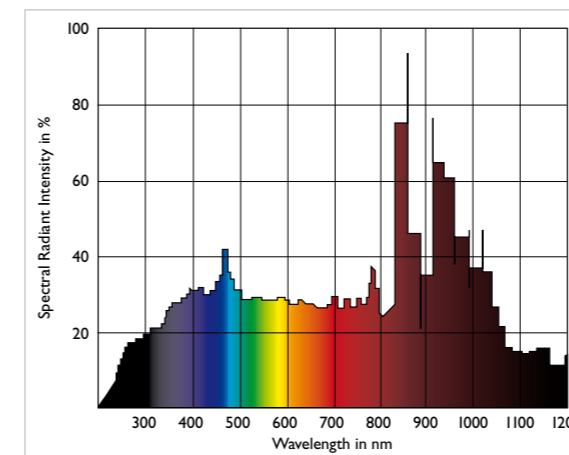


Philips XDC-6000N

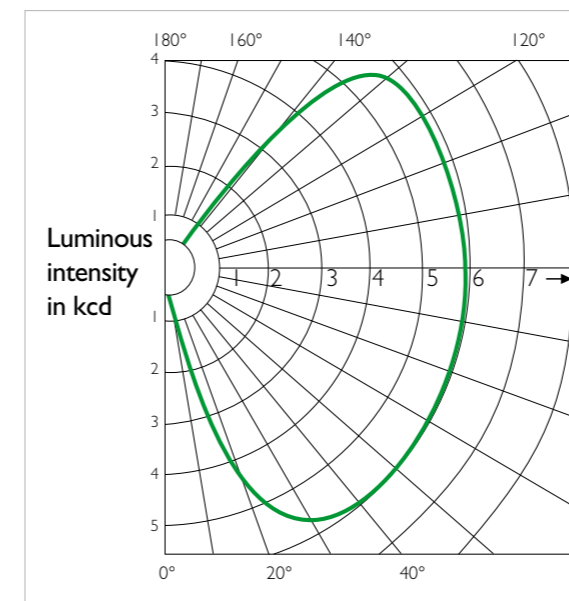
# Photometric Characteristics



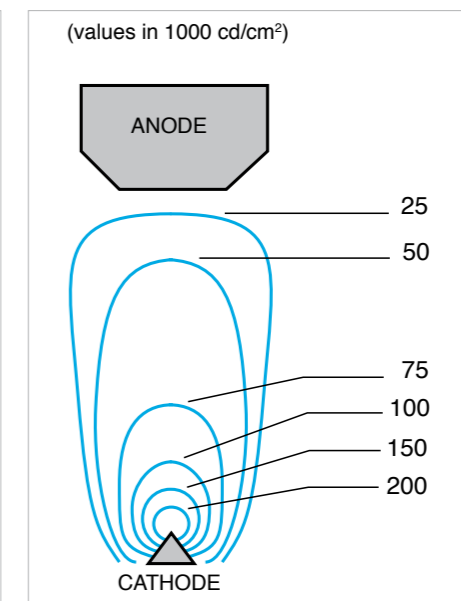
Brilliance



Spectral distribution



Luminous intensity





©2009 Koninklijke Philips Electronics N.V.

All rights reserved. Reproduction in whole or in part is prohibited without the prior written consent of the copyright owner. The information presented in this document does not form part of any quotation or contract, is believed to be accurate and reliable and may be changed without notice. No liability will be accepted by the publisher for any consequence of its use. Publication thereof does not convey nor imply any license under patent- or other industrial or intellectual property rights.

Document order number: 3222 635 72741

[www.philips.com/lighting/entertainment](http://www.philips.com/lighting/entertainment)