

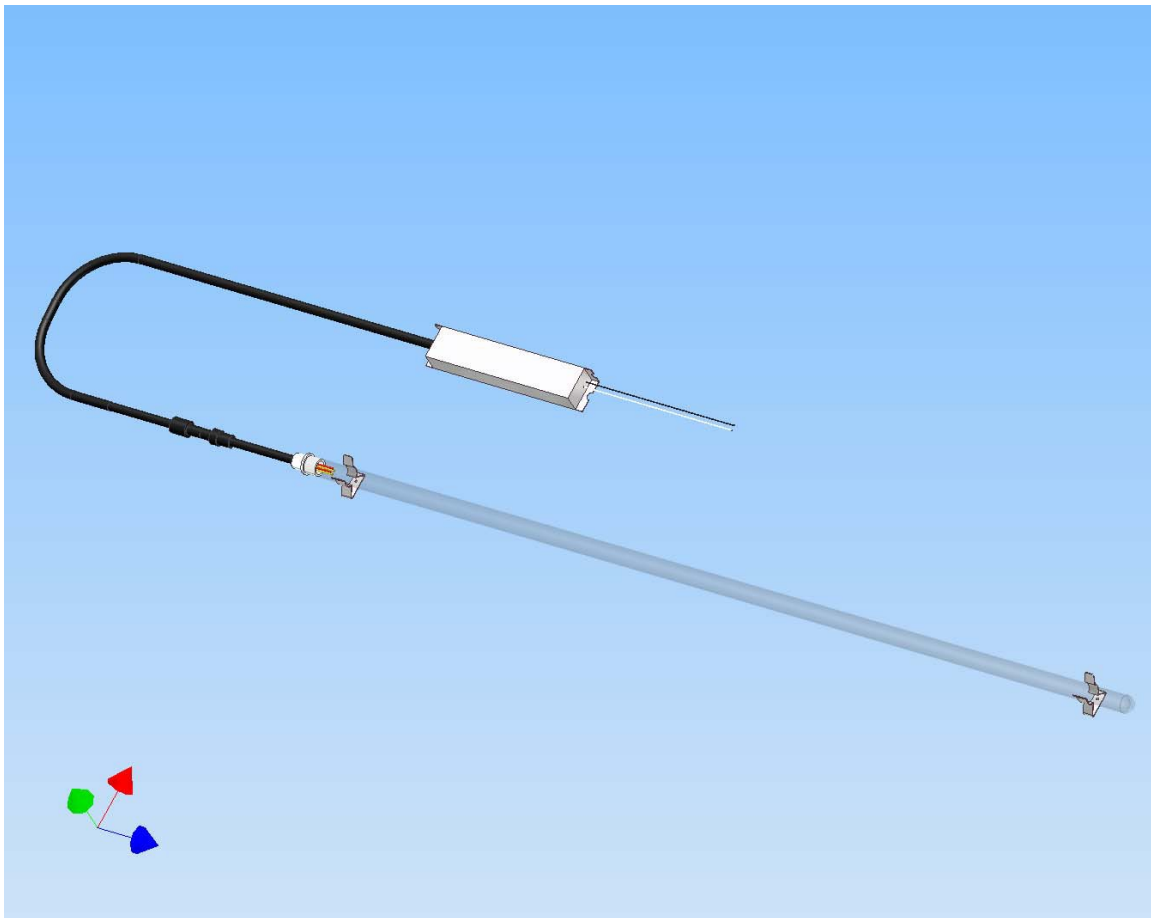


# American Ultraviolet Company

## PEK Series UVC Lamp & Ballast Kits

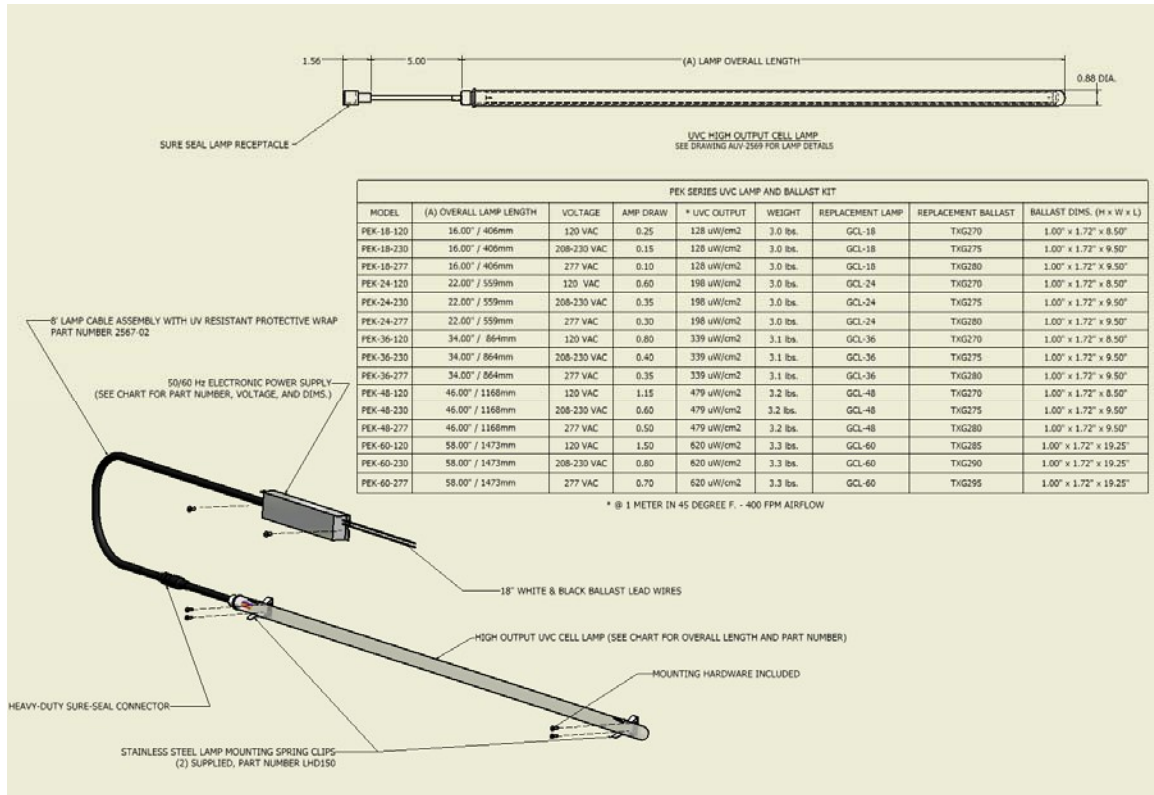
American Ultraviolet PEK Series Lamp and Ballast Kits are designed for installing in small AC units for cooling coil irradiation purposes. Components provided with each kit include (1) UVC High Out-put Lamp, (1) Electronic Ballast, (2) stainless steel lamp mounting clips, & (1) extended power cord to run from the ballast to the UVC lamp.

Electronic ballasts are available as 120, 230, or 277 VAC 50/60 Hz.



***Warning: Exposure to ultraviolet light can be harmful. Suitable eye and skin protection equipment should be used at all times when exposure to ultraviolet light is possible. Lamp power should be removed prior to lamp change or periodic maintenance.***

PEK series lamp kits are available in lamp lengths from 16” to 58”. See following detail for kit model number and dimensions.



## Installation

Choose a suitable area to mount both the UV lamp and ballast, depending upon the AC unit model. Position the UV lamp in a manner in which the cooling coil fin surface area receives the best line of sight as far as the UV output of the lamp. The ballast can be mounted anywhere inside of the unit that is accessible with the cord length to the UV lamp providing adequate length to the lamp. Mark and drill pilot holes for #6-32 drill screws for mounting the lamp mounting spring clips, as well as the lamp ballast

Clean cotton gloves should be worn when handling the UV lamps to avoid leaving skin oil residues on the lamps.

UV lamps are rated for (2) year continuous usage.

***Warning: Exposure to ultraviolet light can be harmful. Suitable eye and skin protection equipment should be used at all times when exposure to ultraviolet light is possible. Lamp power should be removed prior to lamp change or periodic maintenance.***