



American Ultraviolet Company

1-800-288-9288

212 South Mount Zion Road, Lebanon Indiana, 46052 Fax: 765-483-9525

Installation and Maintenance Instructions for Sapphire models SA-1 & SA-2

Safety Considerations:

Sapphire UVC lamp fixtures incorporate low pressure mercury arc ultraviolet lamps that emit UVC energy that is harmful to the eyes and skin. Care should be taken to prevent accidental exposure to UVC rays. Before installing or servicing this unit, make sure that all power is off, to prevent electrical shock.

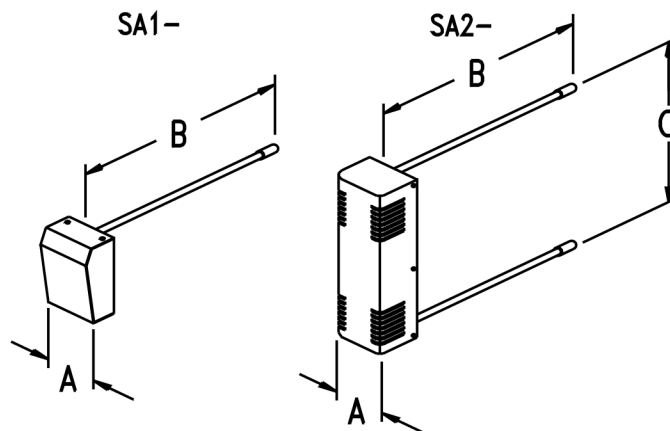
Installation Instructions:

1. Sapphire lamp fixtures can be installed anywhere in the HVAC system to bathe surfaces or airstreams with germicidal UVC energy.
2. For coil applications place the lamps in a position downstream from the coil. SA2 models are typically used for A coils but can be used for flat coils, as well.
3. Reflective aluminum can be installed in the interior of the housing where the lamps will be located for increasing the intensity of energy field. Reflecting the UVC energy is helpful but not absolutely required.
4. The Sapphire models are supplied with an eight foot 120 volt standard three prong power cords, so the proximity of an available power source should be considered when selecting the actual mounting site of the Sapphire UVC lamp fixture.
5. 220 volt/50 hertz systems are supplied with a cord but no plug due to all the various plug configurations.
6. After determining the best position for the Sapphire unit, remove the exterior cover and place the housing assembly up against the exterior wall and use it as a template for transferring the mounting holes as well as the entry holes for the lamp(s). Clearance holes for the lamps should be a minimum of 1.00" diameter. The mounting holes for the Sapphire housing can be pilot holes for sheet metal screws.
7. Fasten the Sapphire housing securely into place using sheet metal screws as described above.
8. For the SA1 units: drill a 7/16 inches hole in the duct, 6 inches away from the mounting position of the SA1 lamp. Insert the indicator plug in the hole. When the lamp is lit, the plug will glow as an indicator that the unit is working correctly. (Do not install the indicator plug if its glow will be objectionable because of the "night light" effect.) For the SA2 units: There is a green indicator light built into the unit. This light will go out if 1 or more of the lamps are not lit.

9. The UVC lamp(s) will be shipped in a separate container. Carefully remove the lamp(s) from their packaging. Clean cotton gloves should be worn when handling the lamps to insure that no skin oils or other contaminants are left on the lamp(s). A 4-pin lamp-holder is secured into the fixture housing with #6 nuts. Remove the nuts and move the lamp-holder to the side to allow for the UVC lamp to be inserted into place. Connect the lamp-holder to the lamp securely and reposition the lamp-holder over the #6 studs and secure with the supplied nuts.
10. Replace the exterior cover to the Sapphire housing and secure it into place with the supplied hardware.
11. Power can then be applied by plugging the 120/220 volt power cord into the nearest power receptacle. Cable clamps or other means of supporting the power cord can be used if required.
12. The UVC lamp(s) will come on instantly with the power being applied.
13. For best results, leave the Sapphire lamp(s) on continuously

Maintenance:

1. With the exception of the supplied UVC lamp, the Sapphire is virtually maintenance free.
2. The UVC lamp will begin to diminish in its germicidal output over the life of the lamp. Replacing the UVC lamps every two years is recommended.
3. Always use genuine American Ultraviolet Company's lamps when replacement time comes. Each Sapphire model will have a replacement lamp part number attached directly to the housing assembly.



MODEL	A	B	C	LAMP
SA1-14	4.25" ³	14.00" ³	N / A	GML405
SA1-16	4.25" ³	16.00" ³	N / A	GML430
SA2-14	3.84" ³	14.00" ³	12.00" ³	GML405
SA2-16	3.84" ³	16.00" ³	12.00" ³	GML430
SA2-24	3.84" ³	24.00" ³	12.00" ³	GML435

Thank you for purchasing the Sapphire. You can now breathe easier knowing that you have installed the finest UVC lamp fixture available anywhere in the world today.