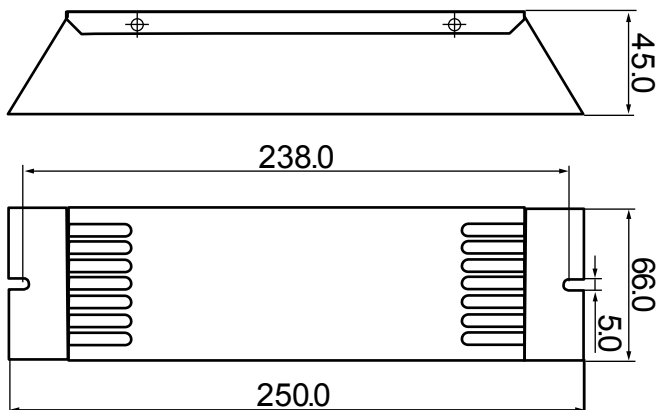


Specifications

Model Number: 10-0266
Input Voltage: 220–277v
Frequency: 50/60 Hz.
Lamp Types: See Chart On Next Page
Size: 9.8" x 2.6" x 1.8"
Weight: 1 lbs. 8 oz.



ATLANTIC ULTRAVIOLET CORPORATION Hauppauge, NY 11788
 631.273.0500
 Sales@AtlanticUV.com
 Ultraviolet.com
 BuyUltraviolet.com

10-0266
220 to 277V 50/60Hz
Max. Current 1.53A @ 230V

Tc: Max. 70°C U-OUT: 350V
 Ta: -15~40°C PF(A): 0.99
 Class P High Power Factor

Lamp Type
 DIP = 00000 : GPHA1554T8
 DIP = 01011 : GPHA1554T8

DC 5V Signal:
 Lamp on: Max. 5V/DC, Max. 5mA; Lamp fault: 0V/DC

Electronic Switch:
 Vmax. 32V/AC, 50V/DC, Imax. 50mA
 Lamp on: On, Lamp fault: Off

Note:
 DC 5V Signal or Electronic Switch can only be chosen one at the same time. Ballast case must be grounded.

DIP-switch settings

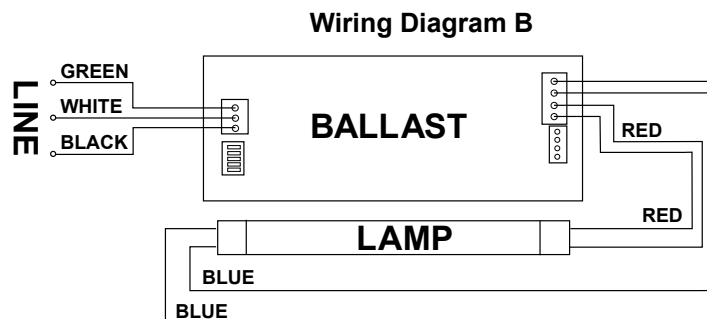
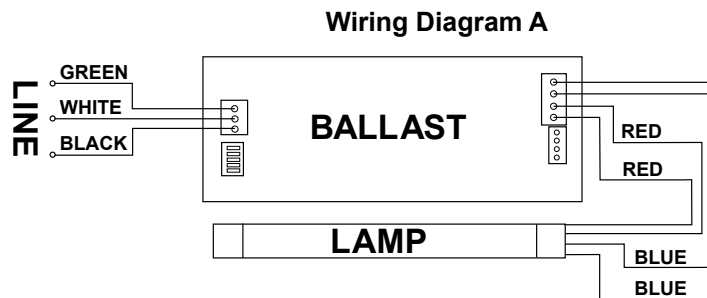
Lamp Current	Preheat Current	Preheat Time	Lamp Power
00 = 1.8A	00 = 1.5A	0 = 12S	Max. 320W
01 = 2.1A	01 = 2.0A	1 = 20S	

The information and recommendations contained in this publication are based upon data collected by the Atlantic Ultraviolet Corporation® and are believed to be correct. However, no guarantee or warranty of any kind, expressed or implied, is made with respect to the information contained herein. Specifications and information are subject to change without notice.

Lamp Types

AUV Part Number	Lamp Types
05-0958	GA64T6L/4 Spot Amalgam
05-0960	GA64T6L/4/1.8
05-0778	GPHHA1200T6L/4P
05-0854A	GPHHVA1148T6L/SE Special
05-4314	TUV240WXPT Philips
05-0731	TUV325WXPT Philips

Wiring Diagram



Lamp Current	Preheat Current	Preheat Time	Lamp Power
ON 00=1.8A	ON 00=1.5A	ON 0=12S	Max. 320W
ON 01=2.1A	ON 01=2.0A	ON 1=20S	

The information and recommendations contained in this publication are based upon data collected by the Atlantic Ultraviolet Corporation® and are believed to be correct. However, no guarantee or warranty of any kind, expressed or implied, is made with respect to the information contained herein. Specifications and information are subject to change without notice.