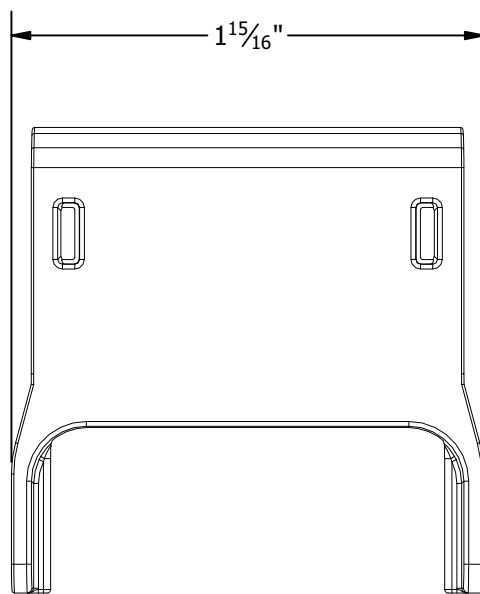
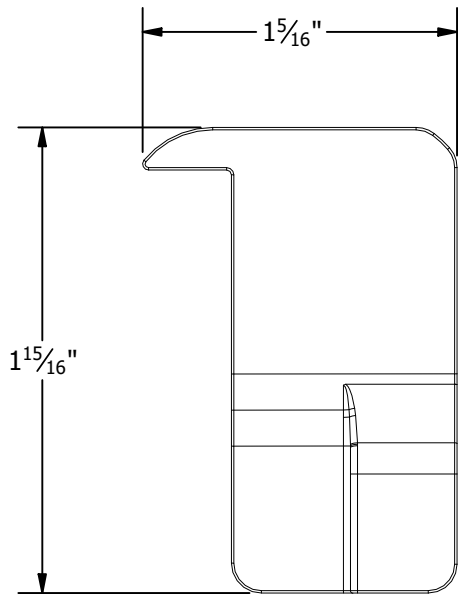
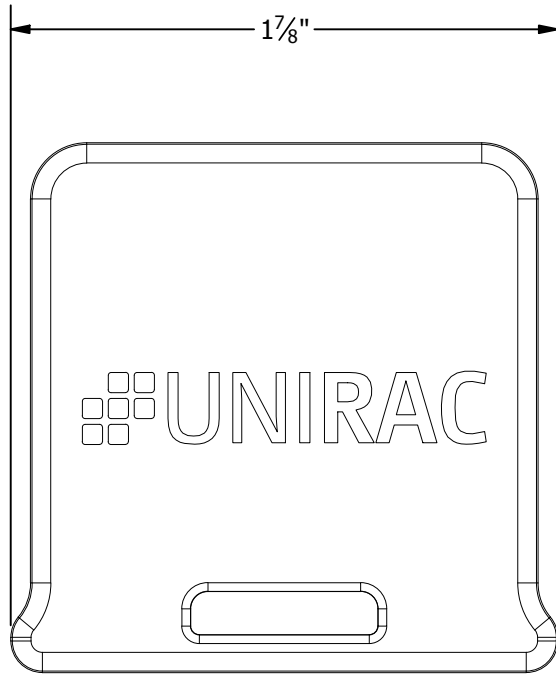
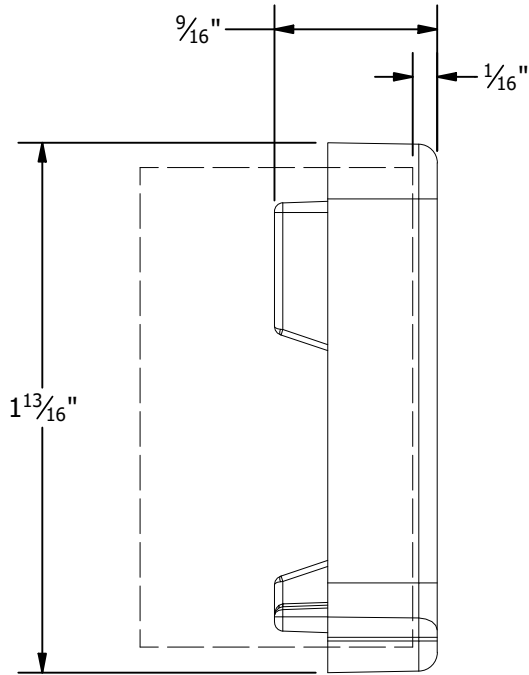


PART # TABLE	
P/N	DESCRIPTION
ENDCAPD1	NXT UMOUNT RL & CLMP CAP KIT



PRODUCT LINE:	NXT UMOUNT
DRAWING TYPE:	PARTS
DESCRIPTION:	RAIL & CLAMP CAP
REVISION DATE:	11/17/2022

DRAWING NOT TO SCALE  
ALL DIMENSIONS ARE  
NOMINAL

PRODUCT PROTECTED BY  
ONE OR MORE US PATENTS  
LEGAL NOTICE

NU-A09

SHEET