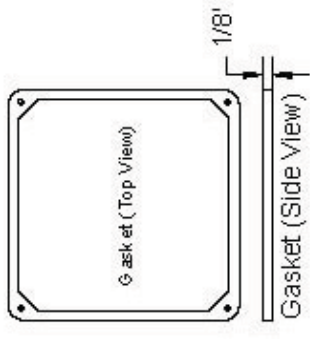
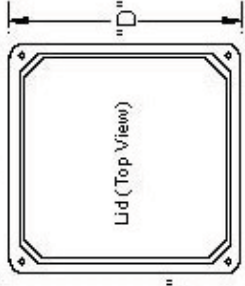
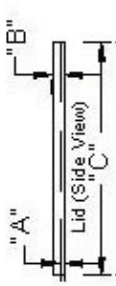
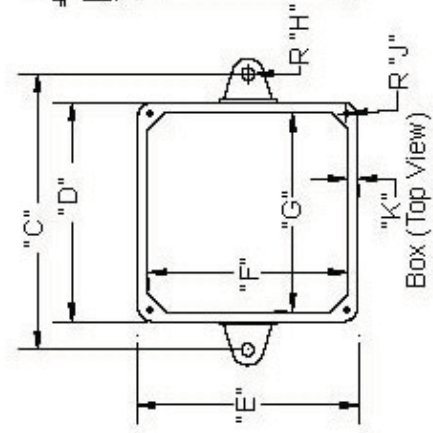
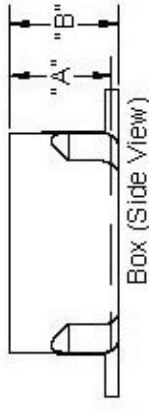


This drawing and the information contained herein are the confidential and proprietary property of Global Supply LLC

PART NUMBER	TRADE SIZE	JUNCTION BOX BASE										COVER				
		A	B	C	D	E	F	G	H	J	K	A	B	C	D	SCREWS
5133711	6X6X6	6.000	6.250	7.375	6.438	6.000	6.000	0.250	0.188	0.220	0.180	0.350	6.750	6.750	6.750	#8 X 1/2"
5133712	8X8X4	4.000	4.250	9.375	8.625	8.000	8.000	0.250	0.188	0.220	0.180	0.350	9.000	9.000	9.000	#10 X 3/4"
5133714	12X12X4	4.000	4.250	13.625	12.625	11.875	11.875	0.250	0.188	0.220	0.220	0.437	13.000	13.000	13.000	#10 X 3/4"



NOTE: INTERPRET DRAWING PER NEMA TYPE 1 STANDARD.

<b>DRAWING SCALE:</b>		<b>STANDARD</b>	<b>MATERIAL:</b>	<b>DESCRIPTION:</b>
<b>TOLERANCES:</b>	<b>FINISH:</b>	<b>PVC</b>	<b>Junction Box, Electrical, PVC, Gray Color, UL Approved</b>	<b>513371X</b>
Unless specified otherwise, all dimensions are in inches				
<b>DRAWN BY:</b>	<b>APPROVAL:</b>	<b>FCSM No.</b>	<b>PART NUMBER:</b>	
L.CLARY	LJA	67012		
<b>REV:</b>	<b>DATE:</b>	<b>ECCN</b>		
INITIAL	Apr 7, 2015	EAR99 = NLR (No License Required)		

**Global Supply LLC**  
 WORLDWIDE SUPPLIER OF ELECTRONIC  
 HARDWARE, FASTENERS & COMPONENTS  
 500 Division Street, Campbell, CA 95008-6906  
 Tel: 408 960 0370 Fax: 408 960 0375 Web: www.globalupply.com