

**FreeMAX**  
The Body Solution

- **Standing Desks**
- **Standing Desk Converter**
- **Accessories**
- **Our Client**



**FreeMAX**

☎ (852) 3112 0707

☎ (852) 3016 9325

✉ [info@freemax.com.hk](mailto:info@freemax.com.hk)

🛒 · Shop 306, 3/F, Tai Yau Plaza, 181  
Johnston Road, Wan Chai

🛒 · Shop 336, 3/F, Pioneer Centre,  
750 Nathan Road, Mongkok

🛒 · Shop 423, 4/F, Tsuen Wan Plaza,  
4-30 Tai Pa Street, Tsuen Wan

🌐 [www.freemax.com.hk](http://www.freemax.com.hk)

☎ 6939 5073

📘 [www.facebook.com/FreeMAXhk/](https://www.facebook.com/FreeMAXhk/)

Explore our range of standing desks at FreeMAX. We have standing desks available in different sizes and materials. With the height adjustable design, it gives you a more healthier, comfortable and efficient work pattern. Sitting or standing for work is just your choice.



# INDEX

<b>01</b>	<b>A6-N1 Plus</b>	<b>10</b>
<b>02</b>	<b>A6-Homey Plus</b>	<b>A7-N4</b>
<b>03</b>	<b>A6-N2-XS Plus</b>	<b>11</b>
<b>04</b>	<b>A6-N2 Plus</b>	<b>A8-FF</b>
<b>05</b>	<b>A6-N3 Plus</b>	<b>12 - 15</b>
<b>06</b>	<b>A7 L Shape</b>	<b>Accessories</b>
<b>07</b>	<b>E3 L Shape</b>	<b>16</b>
<b>08</b>	<b>A6-MC</b>	<b>EDOD-3</b>
<b>09</b>	<b>A6-Custom</b>	<b>17</b>
		<b>EDOD3-DA</b>
		<b>18</b>
		<b>TCT G5</b>
		<b>19</b>
		<b>MDOD-2</b>
		<b>20</b>
		<b>MDOD-2S</b>
		<b>21</b>
		<b>MDOD-Lite</b>
		<b>22</b>
		<b>Our Client</b>

# A6 - N1 Plus



## Technical Specifications:

\*Customization for desktop color and size are available.

Standard Desktop Size : 800mm x 550mm

Base Width: 750mm

Height Range: 720mm ~ 1200mm (not including the desktop)

Max. speed: 20mm/s

Lift Capacity: 50kg

Anti- Collapse

Duty Cycle: max 2 minutes on / 18 minutes off

Input Voltage: 100 ~ 240V

Output Voltage: 24V DC2.0A

## Standard Desktop Colour:



暖白  
Warm White



鐵灰  
Graphite

## Standard Frame Colour:



## Change Posture by a Press

### Electrical adjustor

A6-N1 has capable of lifting a hefty 50kg load at the speed of 20mm/s without making too much noise. The life cycle is greater than 20,000 times.



### Space Saving

The Monitor Arm can be install into the concave design, affixed to the wall to use



### Simple operation

A6-N1 equip with 4 memorized levels allow you to preset 4 levels regularly.



# A6 - Homey Plus



## Technical Specifications:

\*Customization for desktop color and size are available.

Standard Desktop Size: 1m x 0.6m / 1.2m x 0.7m / 1.5m x 0.7m

Base Width: 100cm ~140cm

Height Range: 720mm ~ 1200mm (not including the desktop)

Max. speed: 20mm/s

Lift Capacity: 80kg

Duty Cycle: max 2 minutes on / 18 minutes off

Input Voltage: 100 ~ 240V

Output Voltage: 24V DC2.0A

## Standard Desktop Colour:



暖白  
Warm White

楓木  
Maple

灰橡木  
Grey Oak

鐵灰  
Graphite

## Standard Frame Colour:



## Change Posture by a Press

### Electrical adjustor

A6-Homey has capable of lifting a hefty 80kg load at the speed of 20 mm/s without making too much noise. The life cycle is greater than 20,000 times.



### Width-adjustable

The frame is width-adjustable, going from 1200 to 1800, and allowing you to custom-set the spacing between the legs when you construct your desk.



### Simple operation

A6-Homey standing Desk equip with 4 memorized levels allow you to preset 4 levels regularly.



### Durable

The durable powder coated, rolled stamped steel frames are available in black or white finish.



# A6 - N2 - XS Plus



## Technical Specifications:

\*Customization for desktop color and size are available.

Standard Desktop Size: 0.8m x 0.6m / 1m x 0.6m

Base Width: 95cm ~ 150cm

Height Range: 700mm ~ 1180mm (not including the desktop)

Max. speed: 25mm/s

Lift Capacity: 100kg

Duty Cycle: max 2 minutes on / 18 minutes off

Input Voltage: 100 ~ 240V

Output Voltage: 24V DC2.0A

## Standard Desktop Colour:

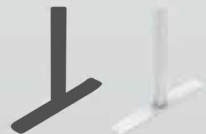


暖白  
Warm White

楓木  
Maple

鐵灰  
Graphite

## Standard Frame Colour:



## Change Posture by a Press

### Electrical adjustor

A6-N2-XS has capable of lifting a hefty 100kg load at the speed of 25mm/s without making too much noise. The life cycle is greater than 20,000 times.



### Width-adjustable

The frame is width-adjustable, going from 800 to 1500mm, and allowing you to custom-set the spacing between the legs when you construct your desk.



### Simple operation

A6-N2-XS equip with 4 memorized levels allow you to preset 4 levels regularly.



### Durable

The durable powder coated, rolled stamped steel frames are available in black or white finish.



# A6 - N2 Plus



## Technical Specifications:

\*Customization for desktop color and size are available.

Standard Desktop Size: 1.2m x 0.6m / 1.5m x 0.7m / 1.8, x 0.7m

Base Width: 110cm ~ 160cm

Height Range: 720mm ~ 1200mm (not including the desktop)

Max. speed: 25mm/s

Lift Capacity: 100kg

Duty Cycle: max 2 minutes on / 18 minutes off

Input Voltage: 100 ~ 240V

Output Voltage: 24V DC2.0A

## Standard Desktop Colour:



暖白  
Warm White

楓木  
Maple

灰橡木  
Grey Oak

鐵灰  
Graphite

## Standard Frame Colour:



## Change Posture by a Press

### Electrical adjustor

A6-N2 has capable of lifting a hefty 100kg load at the speed of 25 mm/s without making too much noise. The life cycle is greater than 20,000 times.



### Width-adjustable

The frame is width-adjustable, going from 1200 to 1800, and allowing you to custom-set the spacing between the legs when you construct your desk.



### Simple operation

A6-N2 equip with 4 memorized levels allow you to preset 4 levels regularly.



### Durable

The durable powder coated, rolled stamped steel frames are available in black, white, or grey finish.



# A6 - N3 Plus



## Ergonomic platform for prolonged computing

### Electrical adjustor

A6-N3 has capable of lifting a hefty 120kg load at the speed of 38 mm/s without making too much noise. The life cycle is greater than 20,000 times.



### Width-adjustable

The frame is width-adjustable, going from 1100 to 1600, and allowing you to custom-set the spacing between the legs when you construct your desk.



### Simple operation

A6-N3 equip with 4 memorized levels allow you to preset 4 levels regularly.



### Durable

The durable powder coated, rolled stamped steel frames are available in black or white finish.



### Technical Specifications:

\*Customization for desktop color and size are available.

Standard Desktop Size: 1.2m x 0.6m / 1.2m x 0.7m / 1.5m x 0.7m / 1.8m x 0.7m

Base Frame Width: 110cm ~160cm

Height Range: 625mm ~ 1275mm (not including the desktop)

Max. speed: 38mm/s

Lift Capacity: 120kg

Duty Cycle: max 2 minutes on / 18 minutes off

Input Voltage: 100 ~ 240V

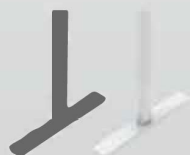
Output Voltage: 24V DC2.0A

### Standard Desktop Colour:



暖白 Warm White  
楓木 Maple  
灰橡木 Grey Oak  
鐵灰 Graphite

### Standard Frame Colour:



# A7 L Shape

\*Customization for desktop color and size are available.



## Technical Specifications:

Standard Desktop Width: 1400mm x 1100mm / 1600mm x 1100mm

Standard Desktop Depth: 700mm / 500mm ; 700mm / 600mm

Custom Desktop Width: 1100-1600mm x 950-1100mm

Custom Desktop Depth: 600mm - 700mm / 500mm - 600mm

Height Range: 710mm ~ 1170mm (not including the desktop)

Thickness : 25mm

Max. speed: 40mm/s

Lift Capacity : 100 kg

Duty Cycle: max 2 minutes on / 18 minutes off

Input Voltage: 110 ~230v

Standard Desktop Colour:



暖白  
Warm White

楓木  
Maple

Standard Frame Colour:



## The Most Convenient System

### Rapid adjustor

A7 L Shape has capable of lifting a hefty 100kg load at the speed of 40mm/s without making too much noise. The life cycle is greater than 20,000 times.



### One button operation

A7 equip with 4 memorized levels allow you to preset 4 levels using regularly.



### Width-adjustable

The frame is width-adjustable, going from 1400 to 1600, and allowing you to custom-set the spacing between the legs when you construct your desk.



### Durable

The durable powder coated, rolled stamped steel frames are available in black or white finish.





# E3 L Shape

\*Customization for desktop color and size are available.



## Technical Specifications:

\*L Shaped desktop consist of 2 panels

Standard Desktop Width: 1200 x 1200 / 1500 x 1500 / 1800 x 1800mm

Standard Desktop Depth: 650 / 750 mm

Height Range: 640mm ~ 1270mm (not including the desktop)

Bottom Width: 110cm ~ 160cm

Max. speed: 38mm/s

Lift Capacity : 150 kg

Duty Cycle: max 2 minutes on / 18 minutes off

Input Voltage: 110 ~230v

Standard Desktop Colour:



暖白  
Warm White

楓木  
Maple

灰橡木  
Grey Oak

鐵灰  
Graphite

Standard Frame Colour:



## The Most Convenient System

### Rapid adjustor

E3 has capable of lifting a hefty 150kg load at the speed of 38mm/s without making too much noise. The life cycle is greater than 20,000 times.



### One button operation

E3 equip with 4 memorized levels allow you to preset 4 levels using regularly.



### Width-adjustable

The frame is width-adjustable, going from 1200 to 1800, and allowing you to custom-set the spacing between the legs when you construct your desk.



### Durable

The durable powder coated, rolled stamped steel frames are available in grey, black and white.



# A6-MC



## Technical Specifications:

Standard Desktop Width: 1200 / 1500 / 1800mm  
Standard Desktop Depth: 700mm  
Height Range: 720mm ~ 1200mm (not including the desktop)  
Standard Stroke: 450mm  
Speed: 7mm/ 1 round  
Lift Capacity : 80 kg

Standard Desktop Colour:



Standard Frame Colour:



## Sit / Stand Workstation

### Simple operation

The hand cranks are “hide-away” types that can be removed while not in use. It takes only a few seconds longer to raise and lower than their electrically-adjustable counterparts.



### Width-adjustable

A6-MC frame is width-adjustable, going from 1200 to 1800, and allowing you to custom-set the spacing between the legs when you construct your desk.



### Durable

The durable powder coated, rolled stamped steel frames are available in black, white finish.



### Free from power supply

The A6-MC is operated manually. No limit to the location use.



# A6 - Custom

Laminated Plywood is available now



## Technical Specifications:

Custom Desktop Width: 1000 ~ 2000mm

Custom Desktop Depth: 600 ~ 800mm

Height Range: 645mm ~ 1295mm (not including the desktop)

Bottom Width: 100cm ~ 160cm

Max. speed: 20 ~ 38mm/s

Lift Capacity : 80 ~ 120kg

Duty Cycle: max 2 minutes on / 18 minutes off

Input Voltage: 100 ~ 240v

Output Voltage: 24V DC 2.0A

## Custom Desktop Colour:



暖白 Warm White  
楓木 Maple  
灰橡木 Grey Oak  
鐵灰 Graphite

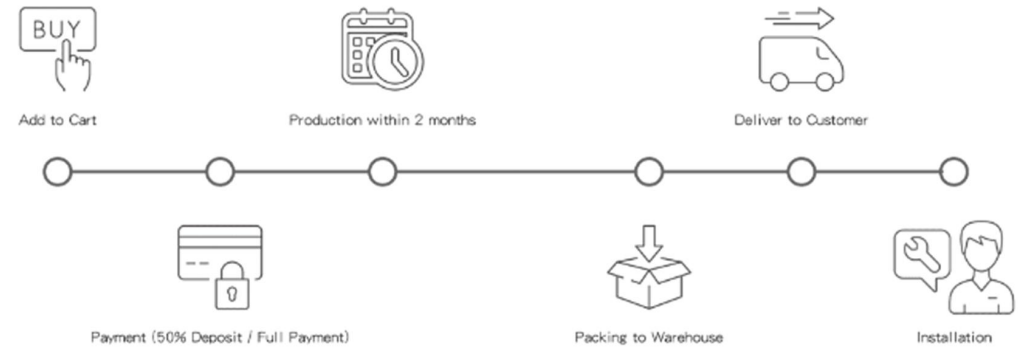


Over 300 choices  
for laminated plywood

## Custom Frame Colour:



## Timeline:



## The feature of Laminated plywood

### Choose your own desk edge shape



### Functional Desktop



# A7-N4

A good choice for conference table



## Technical Specifications:

\*Customization for desktop color and size are available.

Desktop Width available: 1500mm ~ 2100mm

Desktop Depth available: 900mm ~ 1100mm

Height Range: 660mm ~ 1310mm (not including the desktop)

Max. speed: 38mm/s

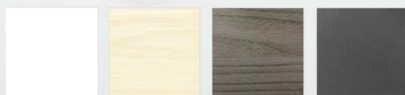
Lift Capacity: 150kg

Duty Cycle: max 2 minutes on / 18 minutes off

Input Voltage: 100 ~ 230V

Output Voltage: 24V DC2.0A

## Standard Desktop Colour:



暖白 Warm White  
楓木 Maple  
灰橡木 Grey Oak  
鐵灰 Graphite

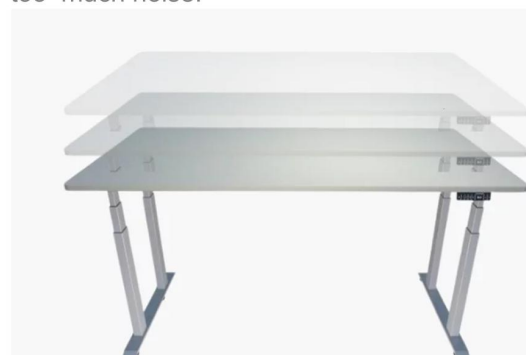
## Standard Frame Colour:



## The Most Convenient System

### Electrical adjustor

A7-N4 Director/Conference standing desk comes with a quadruple motor design, stable operation with 150kg weight capacity and the speed of 38mm/s without making too much noise.



### With Adjustable

The A7-N4 Frame is width-adjustable, going from 1500 to 2100mm, and allowing you to custom-set the spacing between the legs when you assemble your desk.



### Anti-collision Load Rebound

When encountering obstacles, it will rise/down to the opposite direction to prevent damage or injury, make sure you can work in a safe and stable environment.



### Simple Control Panel

A7-N4 equips with 4 memorized levels allow you to preset 4 level regularly. And enjoy lasting durability more than 20,000 uses.



# A8-FF Double Standing Desk

A commercial-grade table which allow two people use together



## Technical Specifications:

\*Customization for desktop color and size are available.

Desktop Width available: 1300mm ~ 1600mm

Desktop Depth available: 600mm

Height Range: 640mm ~ 1290mm (not including the desktop)

Max. speed: 40mm/s

Lift Capacity: 120kg

Duty Cycle: max 2 minutes on / 18 minutes off

Input Voltage: 100 ~ 240V

Output Voltage: 24V DC2.0A

## Custom Desktop Colour:



暖白 Warm White

楓木 Maple

灰橡木 Grey Oak

鐵灰 Graphite



Over 300 choices for laminated plywood

## Standard Frame Colour:



## The Most Convenient System

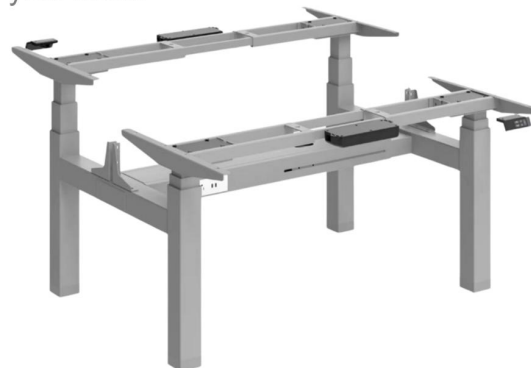
### Electrical adjustor

A8-FF Double Standing Desk, commercial grade desk which allow two people use together. It comes with a dual motor design, stable operation with 120kg weight capacity and the speed of 40 mm/s without making too much noise.



### With Adjustable

The A8-FF Frame is width-adjustable, going from 1300 to 1600mm, and allowing you to custom-set the spacing between the legs when you assemble your desk.



### Anti-collision Load Rebound

When encountering obstacles, it will rise/down to the opposite direction to prevent damage or injury, make sure you can work in a safe and stable environment.



### Simple Control Panel

A8-FF equips with 4 memorized levels allow you to preset 4 level regularly. And enjoy lasting durability more than 20,000 uses.



# Accessories

## CPU Holder CPB-6

- Store hardware under the desk, allows better airflow to get to your CPU, while keeping the tower off the ground keeps it cool
- A 90-degree swivel mount for easy access to cables and ports, while also protecting the unit from dirty.
- The adjustable height and width which allows you to perfectly fit CPUs of various sizes and widths.
- The inside of the CPU Mount includes padding dots to protect your PC case from scratches. They are easy to both attach and remove.



### Technical Specifications:

Width: 175mm X 106mm  
Height: 359 – 592  
Capacity: 10kg  
Adjustable width: 88-203mm  
Adjustable height: 300-533mm  
Colour: Black

## Power Strip Clamp MH01-2

The Power Strip Clamp is designed to be angled at 35° degrees to make plugging and unplugging easier on power strips with the natural movement of the arm when reaching out for it.

### Technical Specifications:

1. Adjustable Clamp Height 40-70mm
2. Anti-Scratch Silicone Pads
3. Easy Setup



## Keyboard tray FM-KB01

- Star-knob adjustment controls height and tilt simultaneously.
- Gel wrist rests for keyboard and mouse platforms add comfort by minimizing pressure points.
- Single platform accommodates both keyboard and mouse. Mousing surface can be positioned to the left or right of the keyboard.

### Technical Specifications:

Colour: Black  
Applicable to: All Standing Desk  
Size:  
KeyBoard Tray: 635mm x 250mm  
Metal Holder: 450mm x 160mm



# Accessories

## HEAD H998 Folding Treadmill

- Users can choose to walk or run on it

### Technical Specifications:

Setup dimensions: 137 (L) x 65 (W) x 120 (H) cm

Running area: 105 (L) x 39 (W) cm

Maximum load capacity: 100kg



## USB Cable Thru Cover

- Organize your messy desk
- USB2.0 x 2 ports

### Technical Specifications:

Size: 68mm x 58mm x 23cm

Material: ABS Plastic

## Vertical Cable Management

- Manage the under desk wire
- Maximum your under desk space

### Technical Specifications:

Length : 130cm



## Energym Mini Elliptical Trainer

- You can sit on a stable chair or use it in a standing desk.

### Technical Specifications:

Size : 62 (L) x 40 (W) x 33(H) cm

Capacity: 113kg



## Lock Castor for Standing Desk

- Castors with manual locking brake holds wheels from rolling

### Technical Specifications:

Castor diameter: 49mm

# Accessories

## Clamp on pegboard

Size: 45(W) x 40(H)cm

- Tidy up your desk without effort
- Suitable for placing stationery & keys
- Maximize your desktop area



Color: White/ Black

## Steel drawer with finger print lock

Size: 35(W) x 26.5(D) x 5(H)cm

Drawer Size: 28.5(W) x 22.5(D)cm



- One touch into intelligent life
- Can be open in 0.3 second
- Design for A4 paper size
- Support multiple fingerprints
- USB Charging
- Mobile APP Control

## Sliding Under Desk Drawer



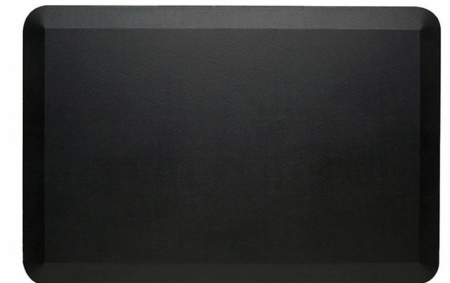
Size: 310~610mm(L) x 461mm(W) x 90mm(H)

- Silent drawer slide
- Can be hidden under the standing desk

## Anti-Fatigue Mat

Size: 70(W) x 44(D) x 1.2(H)cm

- Match with standing desk perfectly
- Help ease your foot pain
- Avoid leg muscle pain and tight





# Accessories

## Modesty Panel

- Hanging clips are easy to assemble and use on most desks
- Panel delivers better privacy in a sleek design
- Designed to be compatible with standing desks



### Technical Specifications:

Width: 1400mm X 400mm / 1000mm X 400mm

Colour: Grey

Material: Polyester

Only applicable to: All Standing Desk (Not included converter)

Clamps are included. 2/3 clamps provided to 1m / 1.4m respectively.



## Cable Tray

### Technical Specifications:

Width: 800mm

Colour: white

Material: Steel

Only applicable to: E3, A6-N2,

A6-N2-XS, A6-MC

## Clamp on USB / Power Outlet

The Clamp on Power Outlet with USB Charger is a two-in-one power solution that gets multiple outlets closer to your desktop.

### Technical Specifications:

2 USB

3 Power Outlet

Clamp Type with Switch



## Metal Cable Tray

Size: 68mm x 58mm x 23cm

- Maximize your desk space
- Keep the cables hidden from the desk
- Make your desktop clean and neat.



# EDOD 3

## Transforming Your Existing Desks to Adjustable Desk



### Technical Specifications:

Lift Type: Electric  
Worktop Size: 27.95" - 18.90" (710mm x 480mm)  
Travel: 17.72" (45cm)  
Capacity: 15 lbs (20 kg)  
Max Monitor Size: 32"  
Monitor Adjustment: 7.9" (200mm) up/down; +45°/-45° tilt angle  
Max Monitor Weight: 22 lbs (10kg)  
No. of Monitor Supported: 1  
Speed: 0.98" (25mm) per second  
Operation Sound: < 40db  
Input/ Output: AC110~230V / DC24V



### Free Standing

Simply place on the existing desk. No additional fixing required.

### Remote Control

EDOD3 is a power control device. It comes with Digital Controller with LED. Sit to stand with a touch of a button, Press the button to control lifting.



### Desktop Organizer

There is a Mobile Holder behind the lifting button, which can be placed your mobile device safely. Also EDOD-3 equipped with two storage boxes (~4cm x 18cm).



### 360 Degree adjustable

The user-friendly tilt and rotation angle adjustments of the base allow the monitor to be positioned for maximum comfort to help ease the physical strains of a long workday.



### Hold up to 32" monitor

EDOD-3 is VESA standard compatible, with individual height and angle adjustments.

# EDOD3-DA

## Transforming Your Existing Desks to Adjustable Desk



### Technical Specifications:

Lift Type: Electric  
Worktop Size: 27.95" - 18.90" (710mm x 480mm)  
Travel: 17.72" (45cm)  
Capacity: 25kg  
Max Monitor Size: 32"  
Monitor Adjustment: 7.9" (200mm) up/down; +45°/-45° tilt angle  
Max each Monitor Weight: 11 lbs (5kg)  
No. of Monitor Supported: 2  
Speed: 0.98" (25mm) per second  
Operation Sound: < 40db  
Input/ Output: AC110~230V / DC24V



### Free Standing

Simply place on the existing desk.  
No additional fixing required.

### Remote Control

EDOD3-DA is a power control device. It comes with Digital Controller with LED. Sit to stand with a touch of a button, Press the button to control lifting.



### Desktop Organizer

There is a Mobile Holder behind the lifting button, which can be placed your mobile device safely. Also EDOD-3-DA equipped with two storage boxes (~4cm x 18cm).

### 360 Degree adjustable

The user-friendly tilt and rotation angle adjustments of the base allow the monitor to be positioned for maximum comfort to help ease the physical strains of a long workday.



### Hold up to 32" monitor

EDOD-3-DA is VESA standard compatible, with individual height and angle adjustments.

# TCT G5



Bookends design  
Easy to read and use the 3C products.



Pressure bar Design  
Convenient height adjustment freedom.



Variable table board structure  
Use freely adjusted according to demand.



PU rear wheel  
Impressive floor to prevent easy movement.

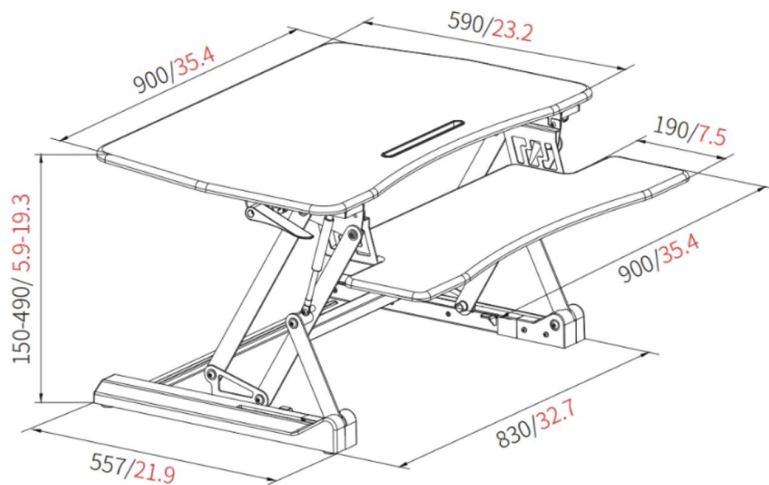
## Technical Specifications:

Size: (See below figure)

Colour: White



# MDOD2



## Technical Specifications:

Weight : 20kg

Capacity : 15kg

Height range : 155mm ~ 495mm (Unlimited height levels)



## Convenient to use

MDOD2 is 900mm width, which is ideal for the desk wider than 1400mm. Simply place on the table that can be used without any installation.

## Lifting system

Unique pneumatic lifting system allows you to almost effortlessly reduce it to rise in a few seconds, you want to ride with, you want to stand on the station.



## High Loading

It can easily load 15kg weight, even if MDOD2 reach the highest position, it can maintain a reasonable stability.

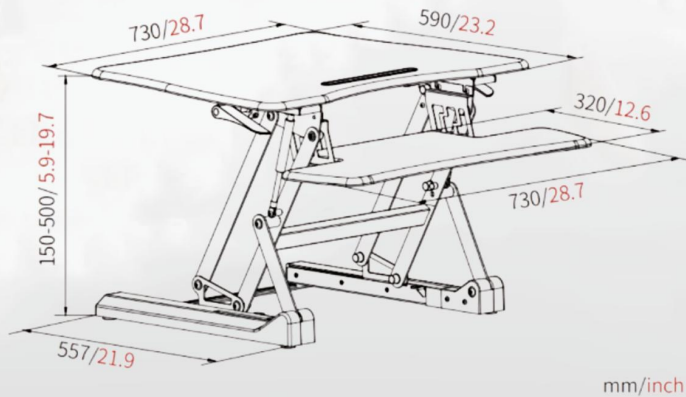
## Organized desktop

MDOD2 equipped with a removable ergonomic keyboard tray, providing enough space for your keyboard and mouse.



# MDOD2S

Make normal desk becoming adjustable desk



Technical Specifications:

Weight : 20kg

Capacity: 15kg

Height Range: 155 ~ 495mm (Unlimited height levels)



MDOD2S is 730mm wide, which is ideal for the small desk. Simply place on the table that can be used without any installation. It is the best solution instead of switching a standing desk. In addition, it is more carryable to another working space.

MDOD2S equipped with a removable ergonomic keyboard tray, providing enough space for your keyboard and mouse. The users can adopt a healthy, comfortable posture without overloading the musculoskeletal system.

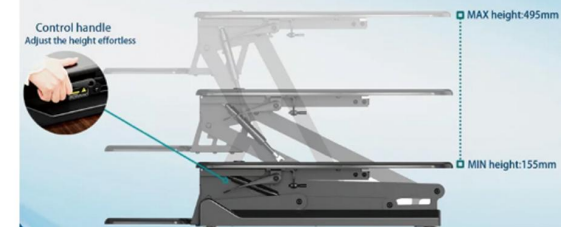


it can easily load 3- 15kg weight, even if MDOD2S to the highest position, it can maintain a reasonable stability.

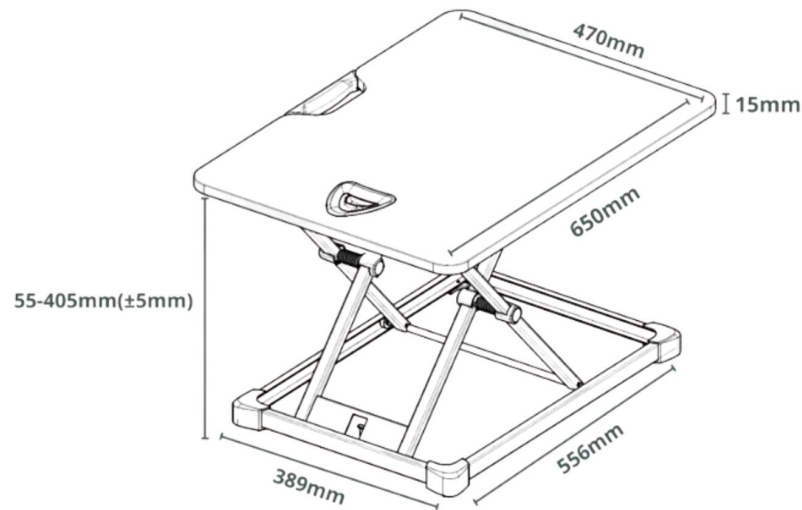
Manual pneumatic lifting system built-in unlimited heights adjustable positions, simply raise or lower in a few seconds effortless.

## Manual Pneumatic Lifting System

Unlimited height positions Perfect match to your need



# MDOD-Lite



## Technical Specifications:

Weight : 11kg

Capacity : 8-20kg

Height range : 55mm ~ 405mm (Unlimited height levels)



## Convenient to use

MDOD- Lite is 650mm width, which is ideal for the small desk and notebook. Simply place on the table that can be used without any installation.

## High Loading

It can easily load 8-20kg weight, even if MDOD-Lite reach the highest position, it can maintain a reasonable stability.



## Manual Pneumatic Lifting System

Manual pneumatic lifting system built-in unlimited heights adjustable positions, simply raise or lower in a few seconds effortless.



# Our Client

---

中電

港鐵

H & M

港燈

BURBERRY

食物環境衛生署

環境保護處

職業訓練局

醫院管理局

香港海關

嶺南大學

香港大學

香港中文大學

香港理工大學

香港城市大學