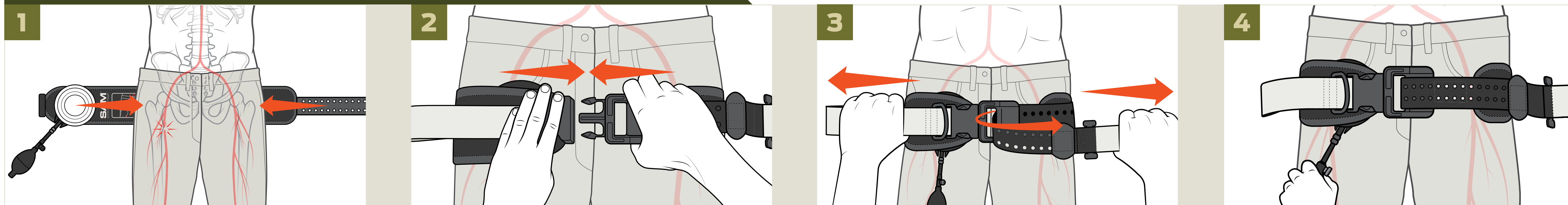


SAM[®] Junctional Tourniquet

FOR HEMORRHAGE CONTROL NSN# 6515 01 618 7475 | NSN#6515-01-646-2617

SAM[®]
MEDICAL

INGUINAL HEMORRHAGE CONTROL



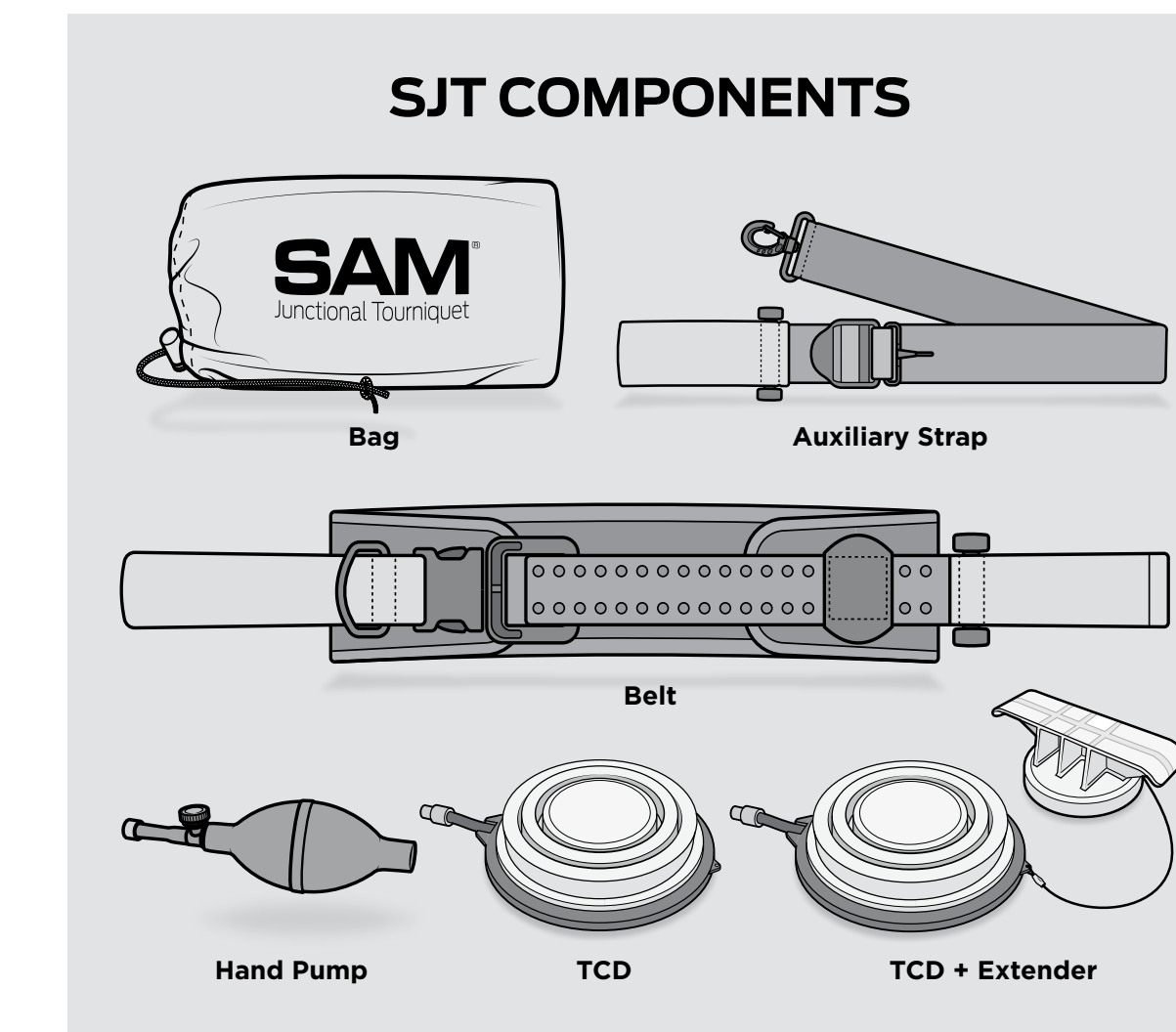
1 Slide the belt underneath the patient, positioning the Target Compression Device (TCD) over the area to be compressed. Use sterile gauze or hemostatic dressing if targeting directly over a wound. **For bi-lateral application use a second TCD.**

2 Hold the TCD in place and connect the belt using the buckle.

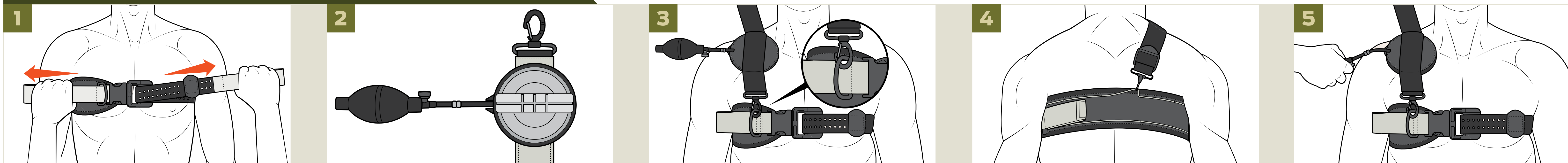
3 Pull the brown handles away from each other until the buckle secures. You will hear an audible click. Fasten excess belt in place by pressing it down on the Velcro. You may hear a second click once the belt is secure.

4 **A** Use the hand pump to inflate the TCD until hemorrhage stops. **B** Monitor patient during transport for hemorrhage control and adjust the device if necessary.

TO REMOVE, unbuckle the belt.



AXILLA HEMORRHAGE CONTROL



1 Apply the SJT to the patient under the arms, as high as possible. Place the D-ring on the injured side, aligning it with the side of the neck. Connect the buckle and secure the strap in place by pulling the brown handles apart until you hear it click.

2 Attach the Extender to the TCD prior to application and place on the strap on the brown Velcro.

3 Connect the strap using the large clip to the D-ring on the front of the SJT.

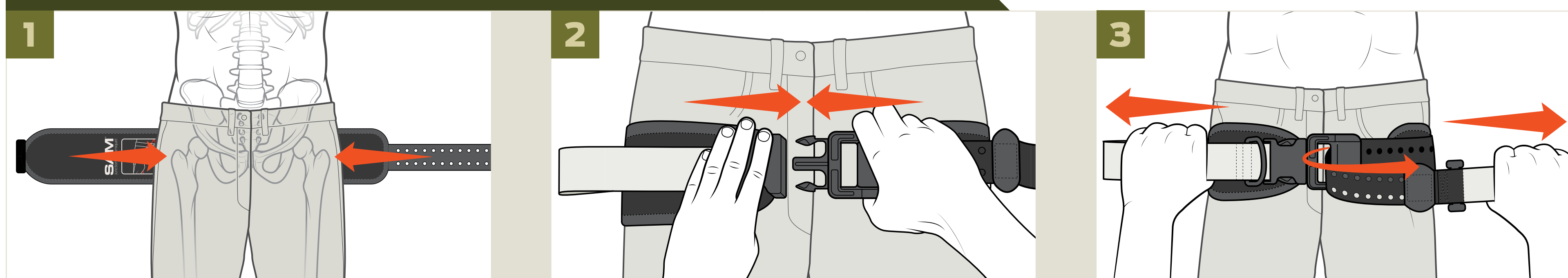
4 Connect the auxiliary strap to the cord on the back of the SJT using the small clip, as close as possible to the patient's mid-line.

5 **A** Tighten the strap as much as possible using the brown handle. Use the pump to inflate the TCD until hemorrhage stops.

B Monitor patient during transport for hemorrhage control and adjust the device if necessary.

TO REMOVE, unbuckle the belt.

IMMOBILIZATION OF A PELVIC FRACTURE



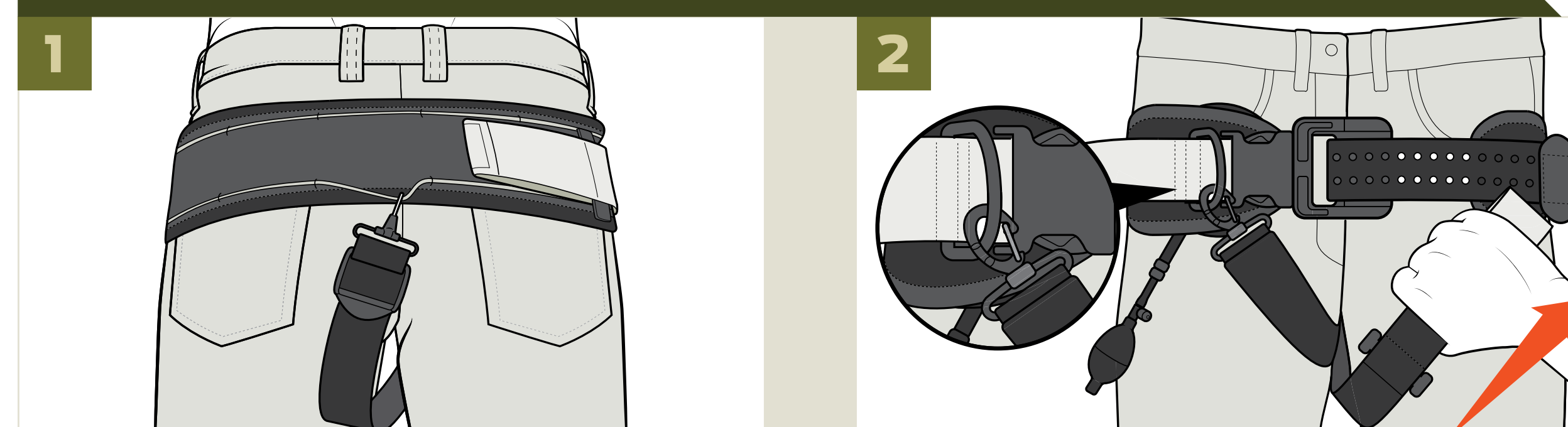
1 Remove objects from patient's pockets or pelvic area. Slide the belt without the TCD underneath the patient at the level of the trochanters (hips).

2 Connect the belt using the buckle.

3 Pull the **BROWN HANDLES** away from each other until the buckle secures. You will hear an audible click. Fasten excess belt in place by pressing it down on the Velcro. You may hear a second click once the belt is secure. In case of prolonged use, monitor patient's skin. When used as a pelvic sling, the SJT should remain firmly attached to the patient while in the MRI room.

TO REMOVE, unbuckle the belt.

AUXILIARY STRAP SUPPORT



1 In rare instances, when additional stabilization is desired, utilize the Auxiliary Strap accessory to provide a 3-point harness style application. Attach the small clip to the **BROWN CORD ANCHOR** at the patients' mid-line on the back of the device.

2 Feed the strap through the groin area, secure the large clip end of the strap to the D-ring attached to the SJT on the front of the patient, and tighten by pulling the **BROWN HANDLE** until secure.

WARNING: The SAM[®] Junctional Tourniquet is intended to be left on for up to four hours. Remove only at a Definitive Care Facility. Additional hand pumps may be necessary with changes in altitude. **NOTE:** If altitude change is a concern, a syringe can be used to fill the TCD with water, saline or any other non-compressible fluid.