

# Lascal® buggy board® mini , maxi , maxi+

Owners manual



mini

maxi

maxi+

[www.lascal.net](http://www.lascal.net)  
For fitting instructions :  
visit : [www.buggyboard.info](http://www.buggyboard.info)



# IMPORTANT! READ CAREFULLY AND KEEP FOR FUTURE REFERENCE English

Dear customer, thank you for choosing a Lascal BuggyBoard®.

We hope you will be delighted with your purchase and will enjoy going out with your children on their BuggyBoard.

**READ THESE INSTRUCTIONS CAREFULLY BEFORE USE AND KEEP FOR FUTURE REFERENCE.**

## Index

Warnings.....	2
Content.....	3
Wheels.....	3
Connectors .....	3
Arms .....	4
Connecting .....	4
Disconnecting .....	5
When not in use.....	5
Final Checks .....	5
Extender Kit .....	6
Accessory .....	6
Cleaning and recycling .....	6
Tests.....	6
Warranty .....	6
Other Lascal products .....	7-9
Contact information .....	9-10
Product registration card .....	10-11

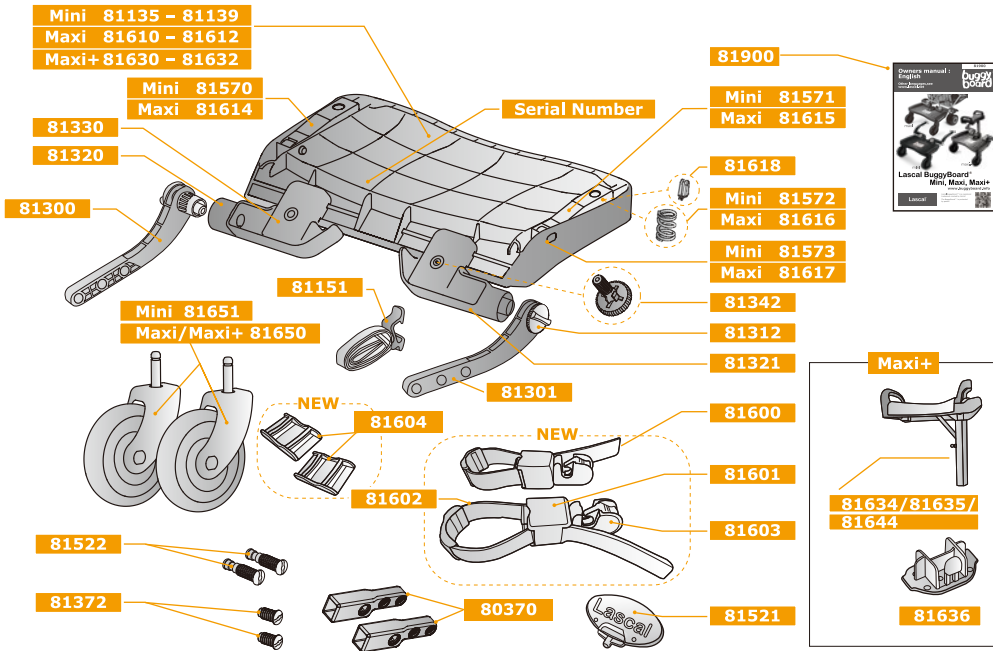
**For detailed information regarding fixing the BuggyBoard™ to different kinds of strollers, please visit:**

[www.buggyboard.info](http://www.buggyboard.info)



- **Intended for use with only one child at a time from approximately 2 years of age and with a maximum weight of 22kg (48 lb).**
- **Never use the BuggyBoard™ if any part is damaged, worn, torn, or missing.**
- **Before each use, check the connectors and tighten if necessary.**
- **The strap with hook must be removed when the BuggyBoard™ is in use and not reachable for children to avoid the risk of strangling.**
- **Always keep your hands on the stroller when your child is standing on the BuggyBoard™. Never leave your child unattended while he/she is standing on the BuggyBoard™.**
- **Make sure your child is always standing with both feet on the anti-slip rear portion of the BuggyBoard™.**
- **Never use the stroller's parking brake while your child is standing on the BuggyBoard™.**
- **Do not go up and down kerbs or steps when a child is on the platform.**
- **Never use the platform for pushing the pushchair/stroller like a skate board.**
- **The child should always sit facing backwards if using a BuggyBoard™ Saddle.**
- **Never let children play with the BuggyBoard™.**

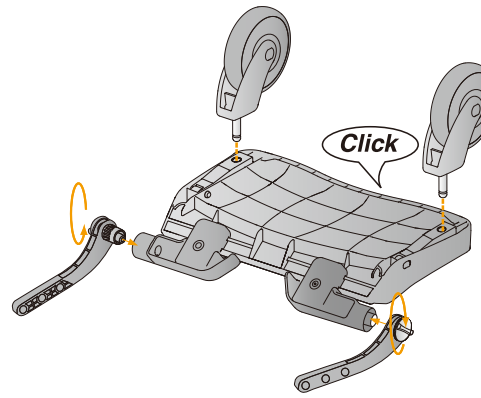
## CONTENT BUGGYBOARD - MINI, MAXI, MAXI+



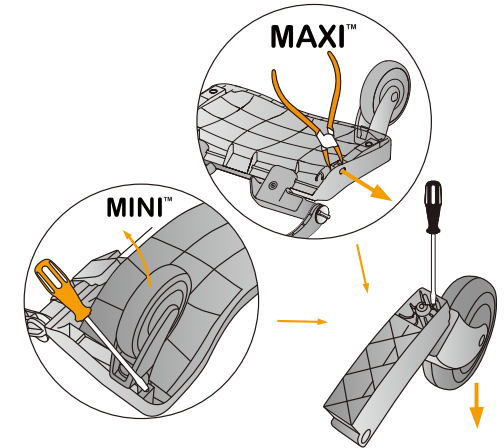
Part no.			Description
mini	maxi	maxi+	
81135-81139	81610-81612	81630-81632	Platform
81151	81151	81151	Strap with Hook
81300L/81301R	81300L/81301R	81300L/81301R	Arm Left/ Arm Right
81312Grey	81312Grey	81312Grey	Height Adjustment Screw (Red/Blue)
81320L/81321R	81320L/81321R	81320L/81321R	Arm Support Left/Arm Support Right
81330	81330	81330	Fixing Plate
81342Grey	81342Grey	81342Grey	Fixing Screw
81651	81650	81650	Wheel
81522Grey	81522Grey	81522Grey	Cotter Pin
81600	81600	81600	Connector Assembled
			81601 Connector Cover
			81602 Connector Strap
			81603 Connector Bolt
			81604 Friction Pad
81570L/81571R	81614L/81615R	81614L/81615R	Susp. Arm Left/Susp. Arm Right
81572	81616	81616	Susp. Spring
81573	81617	81617	Susp. Rivet
81618	81618	81618	Wheel Locking Cage
80370	80370	80370	Extender
80372Grey	80372Grey	80372Grey	Extender Screw
81521	81521	81521	Cotter Pin Key
81911	81911	81911	User Manual
		81634B/81635R/ 81644G	Blue Saddle/Red Saddle/ Grey Saddle for Maxi+
		81636	Lid for Maxi+

## THE WHEELS AND ARMS

### 1. Attaching the Wheels and the Arms.



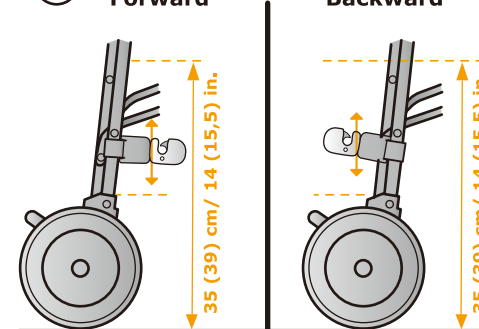
### (Detaching the Wheels)



## THE CONNECTORS

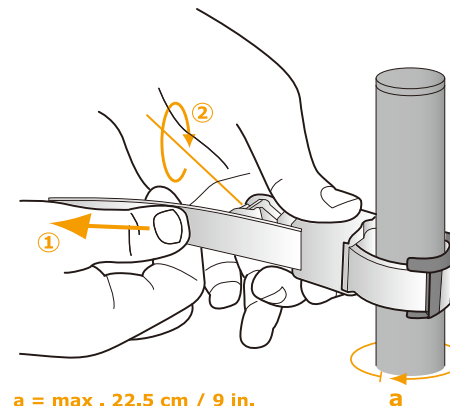
### 2. Positioning the Connectors.

For more details: [www.buggyboard.info](http://www.buggyboard.info)

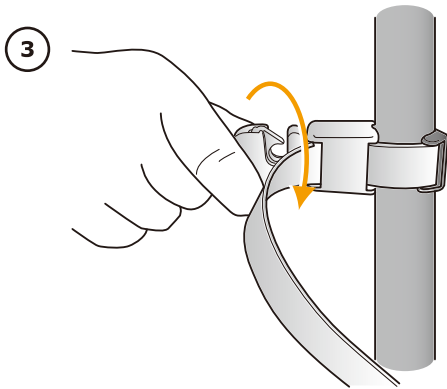


The Connectors can be attached facing forward or backwards. The Connectors can be fitted onto different shapes of tubing with a maximum circumference of 22.5 cm (9 in.). Bend the Strap round the tubing. Then feed the Strap through the slot in the Connector Cover then slide the Friction Pad into position and pull the Strap gently. Check the position of the Connectors to be sure that

- the Arms (81300/81301) will be able to reach the Connectors (maximum 35 cm (14 in.), with Extenders accessory 39 cm (15,5 in), above the ground).
- they are as low as possible on the stroller.
- they do not interfere with the stroller's folding mechanism.
- the Arms stay clear of both the braking mechanisms and the wheels of the stroller.



a = max . 22.5 cm / 9 in.

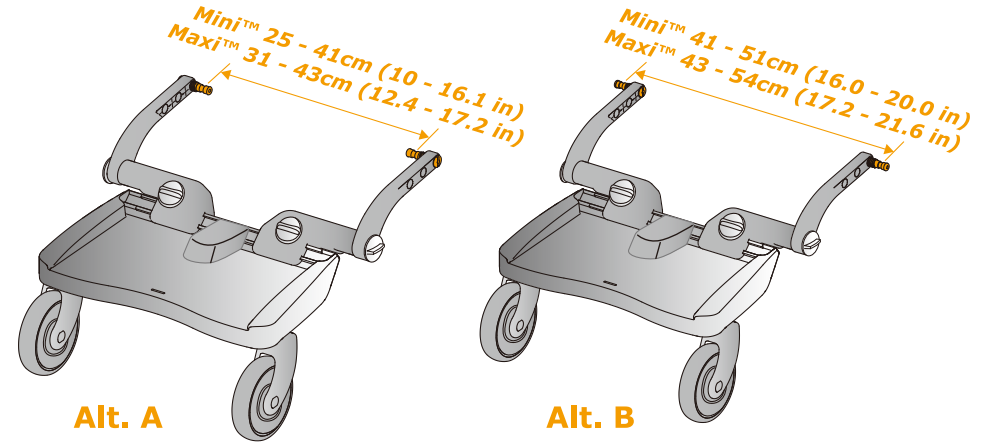


### 3. Tightening the Connectors.

Secure the Connector by turning the Connector Bolt clockwise. Check that the stroller still folds properly and the brakes still work properly; if not, you may need to reposition the Connectors.

The Connectors must be firmly attached to the stroller such that they cannot move.

(To detach the Connector. Turn anti clockwise until the Connector come loose)

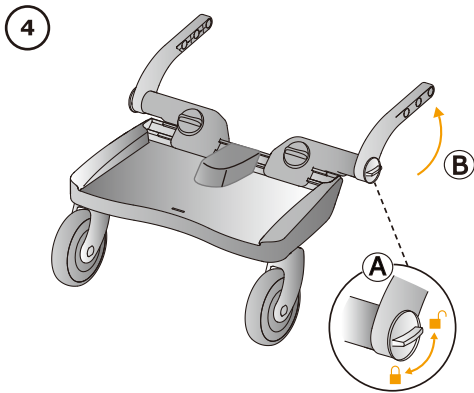


Alt. A

Alt. B

EN

## THE ARMS

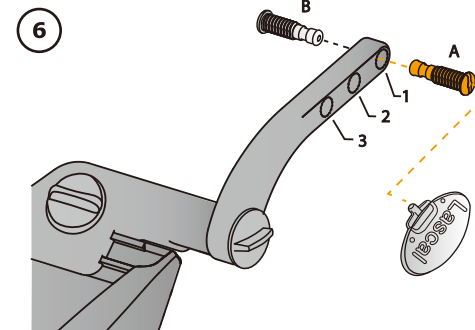


### 4. Rotating the Arms forward.

Turn the Platform onto its Wheels.

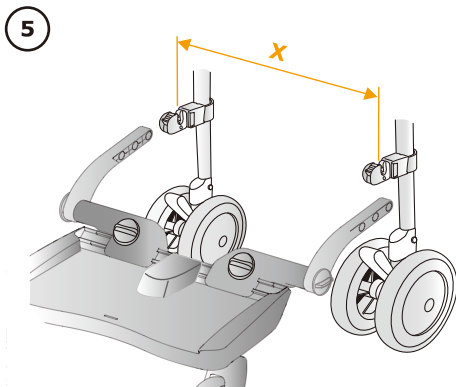
(A) Unscrew the Height Adjustment Screws until they are just released.

(B) Rotate the Arms forward then tighten the Height Adjustment Screws.



### 6. Choosing the right Cotter Pin hole.

There are three holes in each Arm. To choose the hole that best suits your stroller, position the BuggyBoard™ as close as possible to the back of your stroller, however do make sure that your child can stand comfortably. Screw the Cotter Pin into the chosen Cotter Pin hole, tighten with the Cotter Pin Key. If the Arms are too short to fit to your stroller, use the 'Extender Kit', see Fig 13.

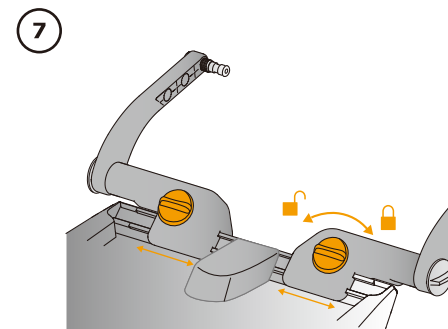


### 5. Positioning the Cotter Pins.

Measure **X** the distance between the middle of each of the Connectors.

Position the Cotter Pin in direction according to **Alt.A** or **Alt.B** (see next page).

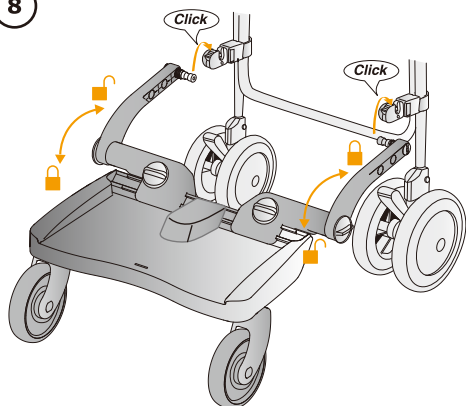
## CONNECTING



### 7. Connecting the BuggyBoard™.

Unscrew the Fixing Screws. Adjust the width of the Arms and click the Cotter Pins into the Connectors, then tighten the Fixing Screws. Ensure that the Arms are an equal distance from the centre of the board and the Cotter Pins are locked in the Connectors.

8



### 8. Leveling the Platform.

Unlock the Height Adjustment Screws and rotate the Platform until level. Tighten the Height Adjustment Screws.

## WHEN NOT IN USE

10



### 10. Hooking up the BuggyBoard™.

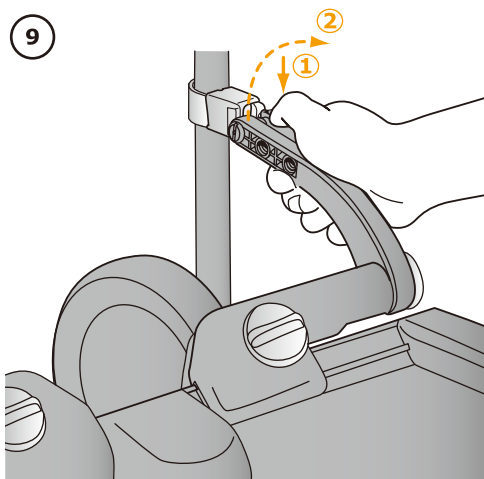
If the BuggyBoard™ is temporarily not in use, it can be hooked up behind your stroller. Clip the Hook onto the Platform and attach the Strap to a higher point on your stroller.

When the BuggyBoard™ is in use, remove the strap and keep away from children.

For BuggyBoard Maxi+, remove the Saddle if it's in the way.

## DISCONNECTING

9



### 9. Disconnect the BuggyBoard™.

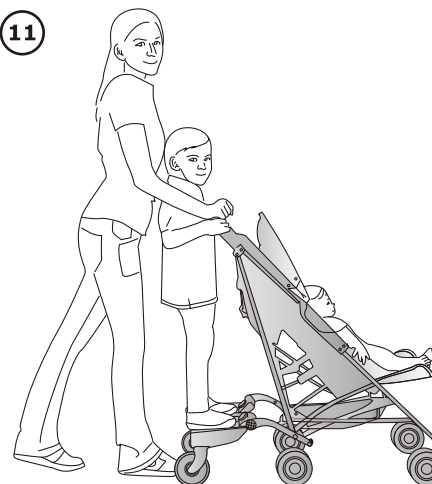
At the end of each Connector Bolt, slide the red Release Buttons down, whilst lifting the AArms up and out of the Connectors.

#### IMPORTANT !

The BuggyBoard™ must be disconnected from the stroller before folding the stroller. Do not fold the stroller with the BuggyBoard™ attached

## FINAL CHECKS

11



### 11. Final Checks

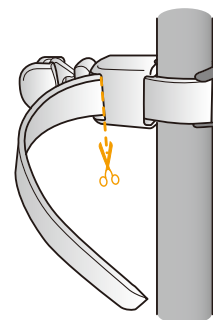
Once the BuggyBoard™ is attached to your pushchair, you should do a test run with one child in the pushchair and another on the BuggyBoard™. The child on the BuggyBoard™ should be able to stand comfortably and if using a Saddle be able to sit comfortably, you should be able to walk easily behind the platform. You may need to adjust the fitting of the BuggyBoard™ to draw the platform either closer to/ further from the pushchair.

Finally, disconnect the BuggyBoard™ and check that the pushchair folds normally. If necessary, you will have to move the connectors, or turn them to face the other direction.

Please refer to [www.buggyboard.info](http://www.buggyboard.info) and our fitting video for detailed fitting advice.

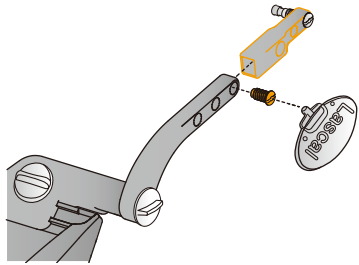
Once the fitting is complete, the straps should be cut as close to the Connector Housing as possible, smoothing any sharp edges.

Note: Leaving the Straps long can interfere with the locking of the Cotter Pin into the Connector, and therefore the safety of the BuggyBoard™ in use.



## EXTENDER KIT

12

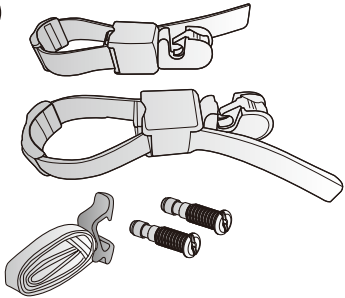


### 12. Extender Kit

To attach the BuggyBoard™ onto certain stroller the 'Extender Kit' may be needed. This will lengthen each Arm up to 6cm (2.4"). The Extender Kit is included with the BuggyBoard™.

## ACCESSORY

13



### 13. Extra Connector Kit

If you want to attach the BuggyBoard™ to another stroller/pram without having to remove the Connectors, you may purchase an Extra Connector Kit as a separate accessory. Each Extra Connector Kit contains: 2 Connectors, 2 Cotter Pins, 2 Friction Tapes and 1 Strap with Hook.

14



### 14. Saddle for BuggyBoard Maxi (included for Maxi+)

The BuggyBoard Saddle is an exclusive accessory for the BuggyBoard Maxi, which transforms the ride-on board in to a seat for young children. It has been carefully designed to securely and safely clamp on and off the board, which makes fitting easy. No special tools are needed to fit the Saddle. At any time, if your toddler prefers to stand rather than sit, the Saddle simply folds down and out of the way, without needing to be removed.

**Attention the child shall always sit backwards.**

The use of any accessories with the BuggyBoard™ that have not been approved by the manufacturer is not recommended.

## CLEANING AND RECYCLING

Cleaning instructions: Use warm water with a soft cloth and a mild non-abrasive cleaning fluid. All BuggyBoard™ parts and packaging are made from recyclable materials.

## TESTS

We are committed to ensuring that the BuggyBoard™ is of the highest quality. The manufacturing process is regularly checked by both internal and external controllers. Samples of parts and completed products are also taken out regularly for tests in our own testing laboratory. The BuggyBoard™ is tested and approved by **according to the relevant clauses** in prEN1888-4:2017.

All components are tested and meet the standard for children products according to REACH (EU) and CPSIA (U.S.)

## WARRANTY

Your BuggyBoard™ is warranted to be free from manufacturing defects for a period of one year from date of purchase under normal use and in compliance with the operating instructions. This warranty extends only to the original retail purchaser and is only valid when supplied with proof of purchase.

EN



**Lascal<sup>®</sup>**

For forward  
thinking families

**Lascal<sup>®</sup>**  
M1<sup>™</sup>Carrier

**Lascal<sup>®</sup>**  
M1<sup>™</sup>Buggy

**Lascal<sup>®</sup>**  
BuggyBoard<sup>®</sup>  
maxi+





## KiddyGuard®

Keep your child on the safe side

Create child-friendly places within moments with the new, improved Lascal KiddyGuard® Assure™, Accent™ and Avant™. Elegant, functional and totally secure, the Swedish designed safety barriers fit into any space. So, whether you live in a period property or a modern home, you can quickly transform dangerous spots without sacrificing on style.

## OTHER LASCAL PRODUCTS



## Lascal® M1™ Carrier

The ergonomic carrier that keeps your baby close and comfortable

Innovative and ergonomic, the Lascal M1 Carrier makes travelling with your baby easy. A special infant seat adapts the carrier for newborns weighing 3.5kg (12lb), right up to 3-4-year-olds weighing 15kg (33lb.)

[www.lascal.net](http://www.lascal.net)

not sold in all countries.

## CONTACT INFORMATION (A-L)

### Albania

Kidscom SA  
finance@kafounis.gr  
www.kafounis.gr

### Czech republic

VISPA Nachod sro  
info@vispa.cz  
www.vispa.cz

### Iceland

Fifa / Orninn  
gudrun@fifa.is  
www.fifa.is

### Australia

CNP Brands  
info@cnpbrands.com.au  
www.cnpbrands.com.au

### Denmark

Nordideen GmbH & Co. KG  
frommhagen@nordideen.de  
www.nordideen.de

### Ireland

Cheeky Rascals Ltd.  
info@cheekyrascals.co.uk  
www.cheekyrascals.co.uk

### Austria

Nordideen GmbH  
info@nordideen.de  
www.nordideen.de

### Estonia

Tootiny  
biuro@tootiny.com  
www.tootiny.com

### Israel

Trulo Israel Ltd  
pegil@netvision.net.il  
www.babysafe.co.il

### Belgium

Hebeco BVBA  
info@hebeco.be  
http://www.hebeco.be

### France

Gamin-Tout-Terrain  
contact@gamin-tout-terrain.com  
www.gamin-tout-terrain.com

### Italy

Real Baby Distribuzione s.r.l.s.  
silvia.ingravallo@realbaby.it  
www.realbaby.it

### Bulgaria

Silvex 1  
vesela@silvex1.com  
http://www.silvex1.com

### Germany

Nordideen GmbH & Co. KG  
info@nordideen.de  
www.nordideen.de

### Japan

T-Rex, Co. Ltd.  
sales-1@t-rexbaby.co.jp  
www.t-rexbaby.co.jp

### Canada

Regal Lager, Inc.  
support@lascal.zendesk.com  
www.regallager.com

### Greece

Kidscom SA  
finance@kafounis.gr  
www.kafounis.gr

### Latvia

Tootiny  
edwin.jonsson@tootiny.com  
www.tootiny.com

### China

Cute-Q Trading (Shanghai) Co. Ltd.  
info@cute-q.com  
www.cute-q.com

### Hongkong / Macau

Lascal Limited  
info@lascal.com.hk  
www.lascal.net

### Lithuania

Tootiny  
edwin.jonsson@tootiny.com  
www.tootiny.com

### Cyprus

Xenofon Demetriades & Son Ltd  
gkzorpas@cytanet.com.cy

### Hungary

Brendon Gyermekarhazak Kft.  
posch.szilvia@brendon.hu  
www.brendon.hu

### Luxembourg

Hebeco BVBA  
info@hebeco.be  
www.hebeco.be

## CONTACT INFORMATION (M-U)

### Malaysia

Infantree Pte Ltd  
suzanne@infantree.net  
www.infantree.net

### Serbia

Kidscom SA  
finance@kafounis.gr  
http://www.kafounis.gr

### Taiwan

Topping Prosperity Inc.  
sales.iris@bnb.com.tw  
www.bnb.com.tw

### Malta

Rausi Co. Ltd  
angelic@rausi.com.mt  
www.rausi.com.mt

### Singapore

Infantree Pte Ltd  
suzanne@infantree.net  
www.infantree.net

### Taiwan

Evey Co., Ltd  
jason@evey.com.tw  
www.evey.com.tw

### Netherlands

Hebeco BVBA  
info@hebeco.be  
www.hebeco.be

### Slovakia

VISPA Nachod sro  
pavelka@vispa.cz  
www.vispa.cz

### Thailand

Thai Soonthorn International  
Trading Co., Ltd.  
nfo@thaisoonthorninter.com  
www.thaisoonthorninter.com

### Norway

Norske Servicesystemer AS  
eli@servicesystemer.no  
www.servicesystemer.no

### Slovenia

MAMI d.o.o.  
info@mami.si  
www.mami.si

### Turkey

operaistanbul  
info@operaistanbul.com  
www.operaistanbul.com

### Poland

Tootiny  
biuro@tootiny.com  
www.tootiny.com

### South Korea

Penta Zone Inc.  
pentazone@gmail.com  
www.pentazone.co.kr

### UK

Cheeky Rascals Ltd.  
info@cheekyrascals.co.uk  
www.cheekyrascals.co.uk

### Portugal

Nikidom, S.L.  
nikidom@nikidom.com  
www.nikidom.com

### Spain

Nikidom, S.L.  
nikidom@nikidom.com  
www.nikidom.com

### Ukraine

Tootiny  
edwin.jonsson@tootiny.com  
www.tootiny.com

### Romania

Kidscom SA  
finance@kafounis.gr  
www.kafounis.gr

### Sweden

Carlo i Jönköping AB  
info@carlobaby.com  
webshop.carlobaby.com

### USA

Regal Lager, Inc.  
support@lascaI.zendesk.com  
www.regallager.com

### Russia

INTERAMNA LTD  
sadoln.jesper@gmail.com

### Switzerland

BAMAG Babyartikel und  
Mobel AG  
tanja.herzog@babybamag.ch  
www.babybamag.ch

Register online at [www.lascal.net/web/register](http://www.lascal.net/web/register) or by registration card/post

### PRODUCT REGISTRATION CARD

Register your purchase at [www.lascal.net/web/register](http://www.lascal.net/web/register) or fill in and return this card by mail.

**En.** Registering is the only way to guarantee that Lascal will notify you in the unlikely event we need to issue a safety notification.

.....  
Name

.....  
Address

.....  
City

.....  
State

.....  
Postcode

.....  
Country

.....  
E-mail address

.....  
Date of purchase

.....  
Serial number (see underside of the platform)

**buggy  
board**



**PRODUCT REGISTRATION CARD**

Place  
stamp  
here

.....

.....

.....

.....

**PRODUCT REGISTRATION CARD**

En. To return this card by mail, please find the address of your national registration office on page 9-10, or register online at [www.lascal.net](http://www.lascal.net)

Lascal

Please fold and seal with tape before mailing. Do not staple.

# Lascal®

**Lascal Limited**

Unit 2507, 25/F,  
Kimberland Centre,  
55 Wing Hong Street,  
Hong Kong

E-mail: [info@lascal.com.hk](mailto:info@lascal.com.hk)  
website: [www.lascal.net](http://www.lascal.net)  
[www.kiddyguard.com](http://www.kiddyguard.com)