

MODERN THREE BOARD RANCH RAIL INSTALLATION GUIDELINE

COMPONENTS

- A. U-Channel Post 72" (Qty 2)
- B. T&G Board 67" (Qty 3)
- C. Top Cap (Qty 2)
- D. Board Stop Assembly (Qty 1)
- E. #10 1-3/4" Composite Screw (Qty 12)
- F. #10 1-5/8" Truss Head Screw (Qty 10)
- G. Top Cable Assembly (Qty 1)
- H. Spacers (Qty 10)
- I. 3 Ranch Rail Spacing Jig (Qty 2 per order)

TOOLS REQUIRED

- Torque Head Driver/Drill Bit
- Drill or Impact Driver
- Tape Measure
- Wheelbarrow
- Post Hole Digger and Shovel
- Level and String Line
- Stakes or Markers

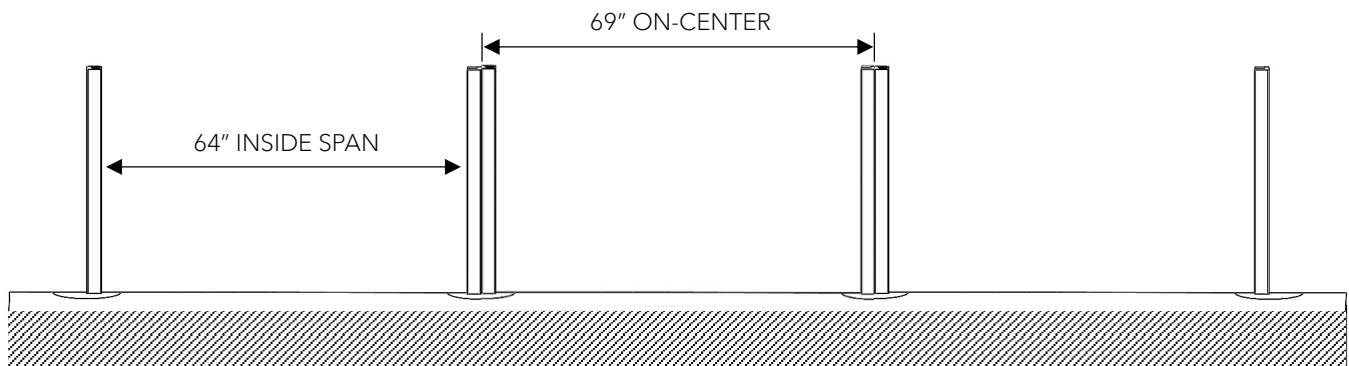
BEFORE YOU BEGIN

- Verify the location of all underground utilities
 - Aids: Local building departments, utility companies, or utility location service at 811
- Locate property line
- Consult with HOA, if applicable, and follow CC&Rs Guidelines
- Consult local and regional building codes
- Obtain all necessary permits as required by building codes
- Always wear appropriate safety equipment
- Store product on a flat surface in a dry place away from moisture

1. LAY OUT FENCE LOCATIONS

Panels are sold with 69" On-Centers

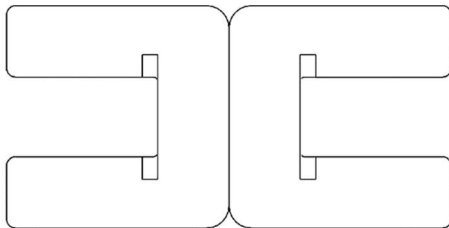
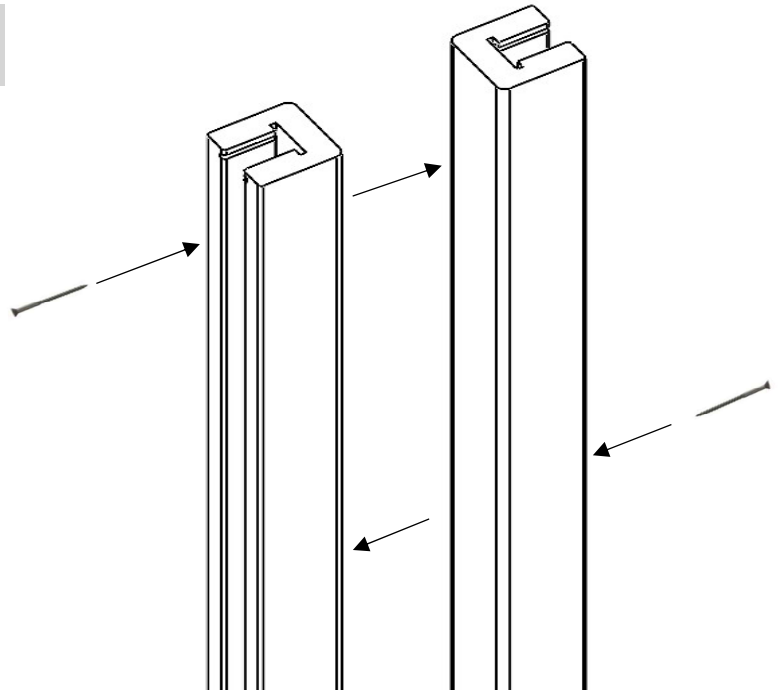
1. Using stakes and a string line, mark out the fence location
2. Locate gate placement and mark post hole locations for the gate posts accordingly (*See gate installation instructions*)
3. Mark the locations of corners and ends of the fence
4. Mark locations of intermediate fence posts between ends, corners and gate posts. Post should be located no wider than 69" (5.75) apart for each fence panel



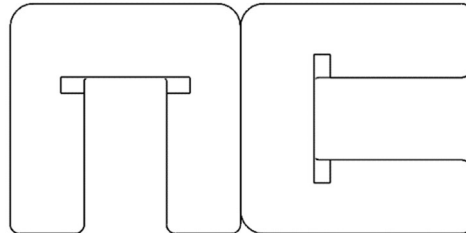
2. POST ASSEMBLY

1. Each Composite Modern Three Board Ranch Rail panel requires two U-channel posts (A) with Board Stop Assembly (H) installed, one post for each end of the panel
2. The U-channel post for adjacent panel(s) must be fastened together before setting the posts in concrete.
3. Fasten posts together with 6 #10 1-5/8" screws (G) from the inside of the U-channel Post, so that the open part of the U-channel Post is exposed to allow for the T&G Boards to slide through and the base of the U-channel Posts are flush. Alternative Fasteners on each side of the U-Channel post set.
 - a. Line Posts: install the U-channel posts back to back
 - b. Corner Posts: install the U-channel posts adjacent to each other, ensuring the posts are facing the correct direction
 - c. End or Gate Posts: only one U-channel is installed
 - d. T or t Posts: Combine the line and the corner post to install

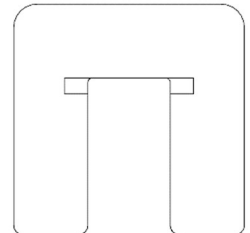
Note: All panels can be stair stepped.



LINE



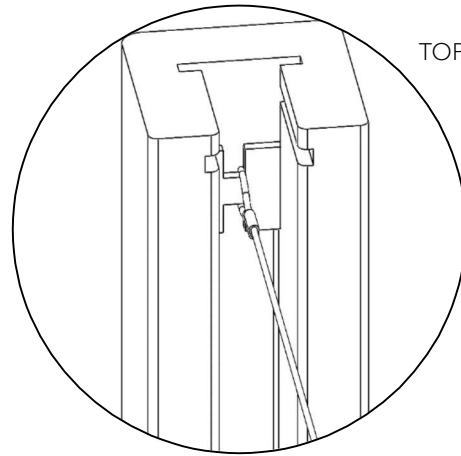
CORNER



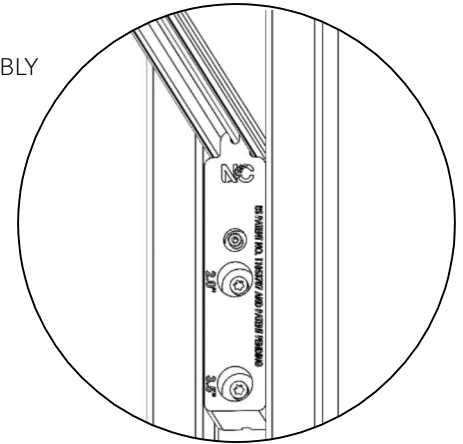
END

3. POST INSTALLATION

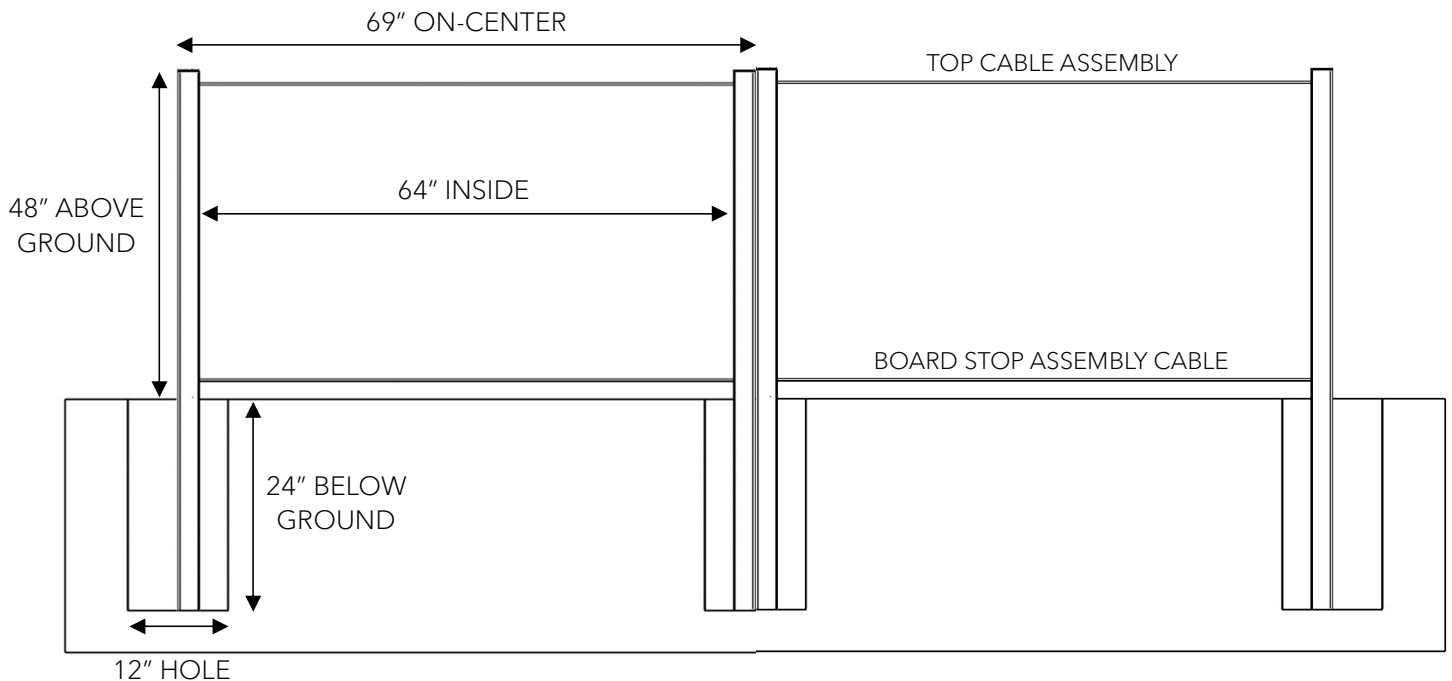
4. Dig 12" diameter holes at 24" deep in all marked post hole locations
5. Verify proper hole depth by either:
 - a. Checking the post height out of the ground is 48" and the post is 24" in the ground
 - b. Using the top level method insuring that the tops of all the posts are on an equal level plane
 - c. Note: Stair Stepping can require deeper holes
6. Verify post spacing using the Board Stop Assembly
7. Cable should be taut to achieve 69" panel widths
8. Once proper hole depth and placement is achieved, place post assembly in the hole, aligning the posts with the string line and/or depth marker
9. Fill Hole with concrete to approximately 2" below grade level. Before concrete sets, be sure to plump, level and align post properly keeping the base cable taut to keep the correct post spacing
10. Install the Top Cable Assembly to help keep posts plumb and properly spaced
11. Allow concrete to properly cure in accordance with manufacturers' instructions before proceeding to the next steps.



TOP CABLE ASSEMBLY

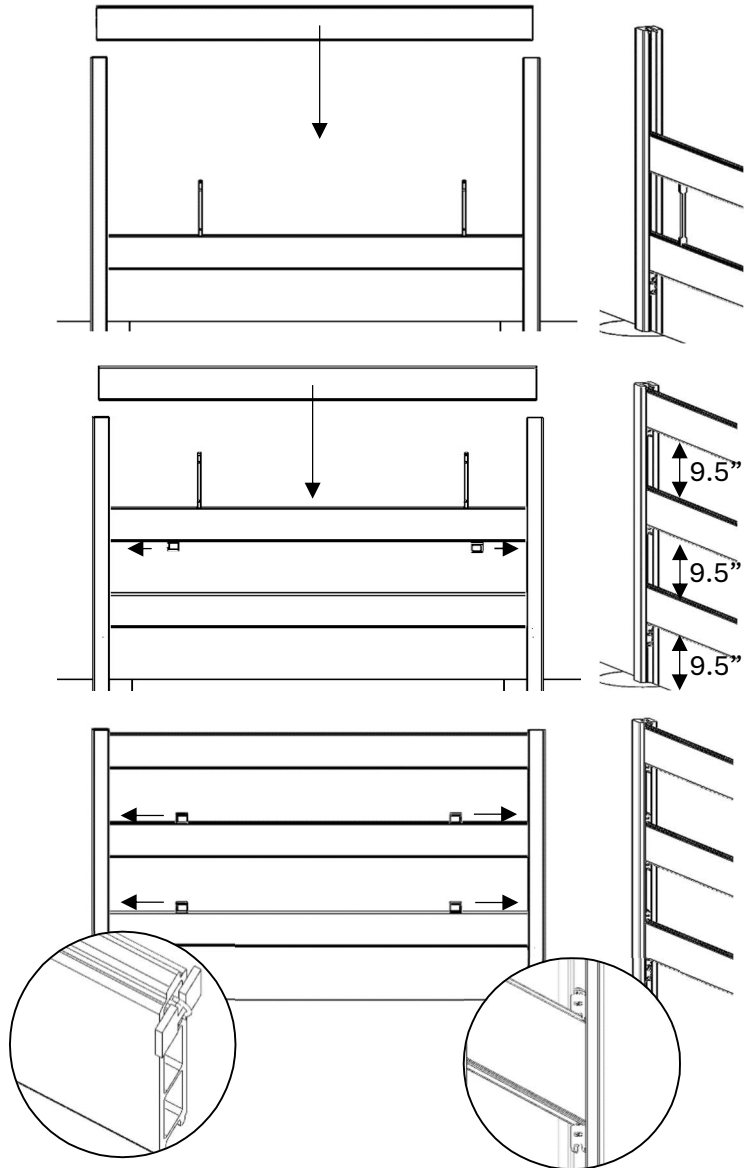


BOARD STOP ASSEMBLY



4. BOARD INSTALLATION

12. After concrete has set, move on to installation of the Spacers (D) and T&G boards (B)
Note: The hollow T&G boards come pre-cut to fit in the 69" panel width
13. Remove the Top Cable Assembly temporarily
14. Install T&G boards with the tongue facing up and the groove facing down. Hold the fence board at an angle and insert one end into the channel of the post. Then rotate the other end of the board down until it slides into the channel of the other post. Push the first fence board down until it comes to rest meeting the board stop
15. Install the second board by repeating steps 14 using the 3 Ranch Rail Spacing Jigs to hold the board in place at the correct height
16. With two spacer secure the boards position by sliding the spacer up to meet the bottom of the board and secure with the #10 1-3/4 composite screws, once secured remove jigs
17. Install Top Cable Assembly into the last board by gently dropping one Top Cable Bracket down into the top channel of the T&G board
18. Install the final T&G board with the Top Cable Assembly installed following steps 15-16. To do this, rotate the Top Cable bracket so that it is perpendicular to the board. Then slide the board with the cable assembly down the U-channel post so that the top cable bracket lines up with the routed space. Continue pressing down until the Top T&G board meets the jig
19. Lock the bottom and second board in place by installing spacers so that they meet the top of the bottom T&G board, lift spacer up from the board about 1/16" and secure to allow for expansion



5. TOP CAP INSTALLATION

20. Slide the Top Cap (C) into the top cap routed space on the top of the U-channel post
21. Fix into position using one 1-3/4" Composite screw (F) and torque head drill
22. Repeat for all posts

