



COMPONENTS

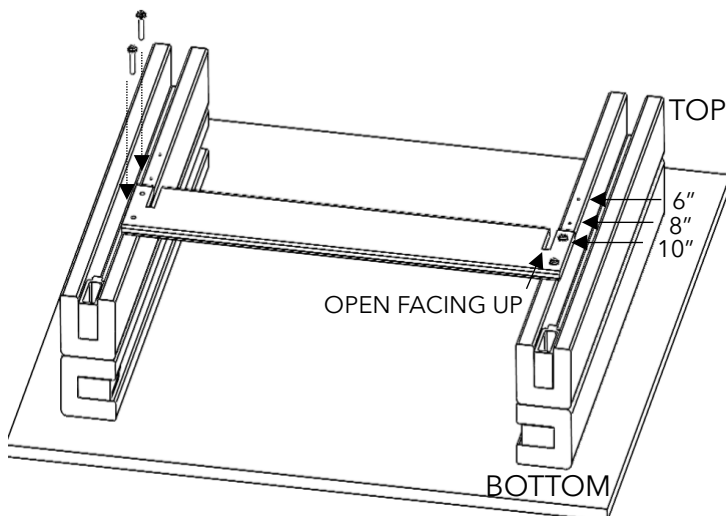
- A. Left Hand Leg (Qty 2)
- B. Right Hand Leg (Qty 2)
- C. Tie Beam (Qty 2)
- D. Cross Beam (Qty 2)
- E. 1" Screws (Qty 16)
- F. Large T&G Board (Qty 6)
- G. Medium T&G Board (Qty 3) (Qty 6 for 2x4)
- H. Short T&G Board (Qty 6)
- I. Top Cap (Qty 4)
- J. 3/4" Screws (Qty 12)

Tools Required: Philips Head #2 Screwdriver

COMPOSITE GARDENING SQUARE PLANTER INSTALLATION GUIDELINE

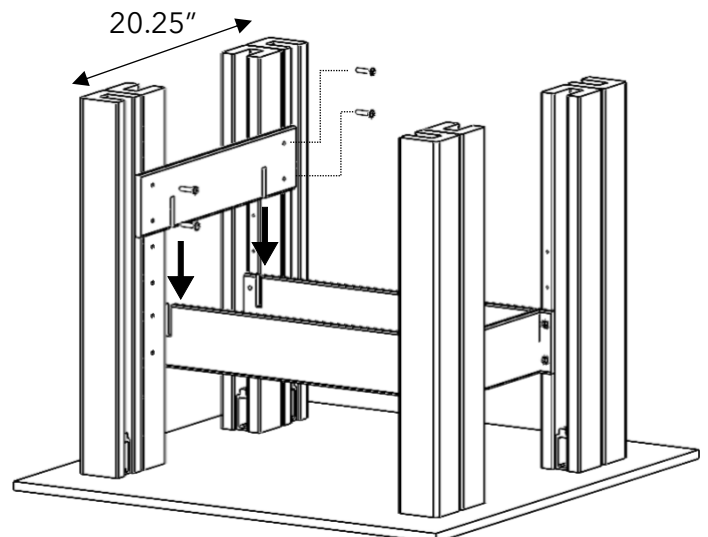
ASSEMBLE SIDE WALLS

1. Lay one LH Leg (A) and one RH Leg (B) down on a smooth, flat surface
2. Choose bed depth (6", 8", 10")
3. Fasten the Tie Beam (C) to the legs at desired bed depth using 1" Screws (E) on each leg, ensure the open joint it point up (See below)
4. Repeat steps for the remaining legs



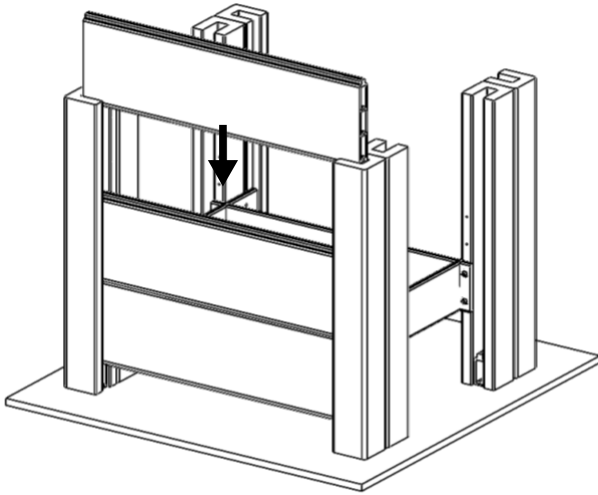
INSTALL CROSS BEAMS

5. Carefully standup the side walls
6. Space the side walls 20.25" apart as shown
7. Slide the Cross Beams (D) into the slots of the Tie Beam (C) until they meet
8. Fasten the end Cross Beams (D) into the legs using 1" Screws (E)



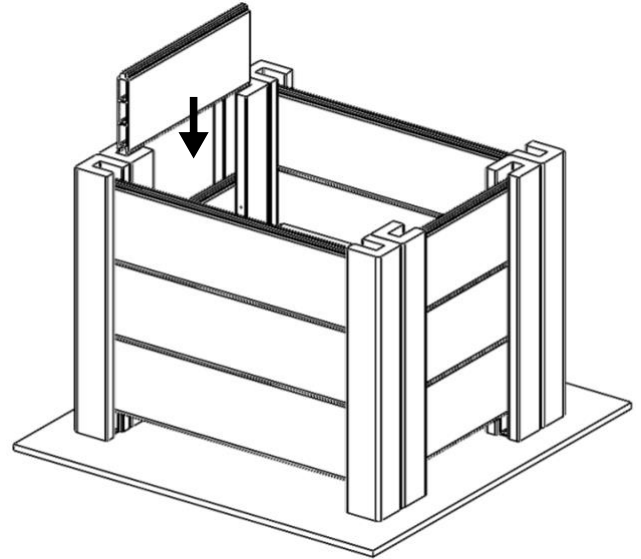
INSTALL SIDE WALL BOARDS

9. Install three Large T&G Boards (F) into the groove of the side wall
10. Repeat steps for the other side wall



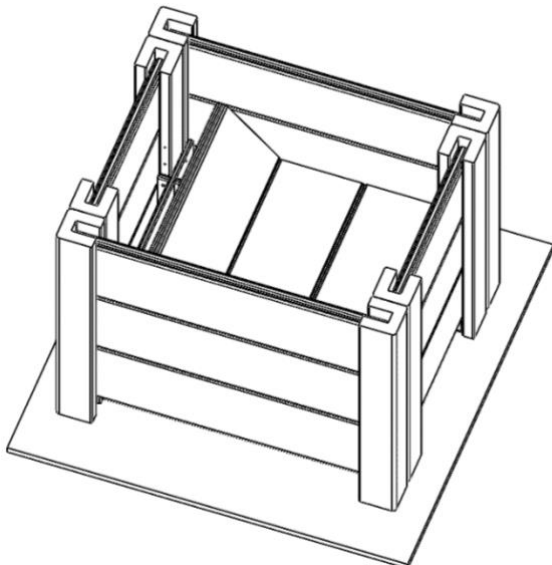
INSTALL SHORT BOARDS

11. Slide three Short T&G Boards (H) into the U-channel grooves on the left side
12. Install remaining three on the right side



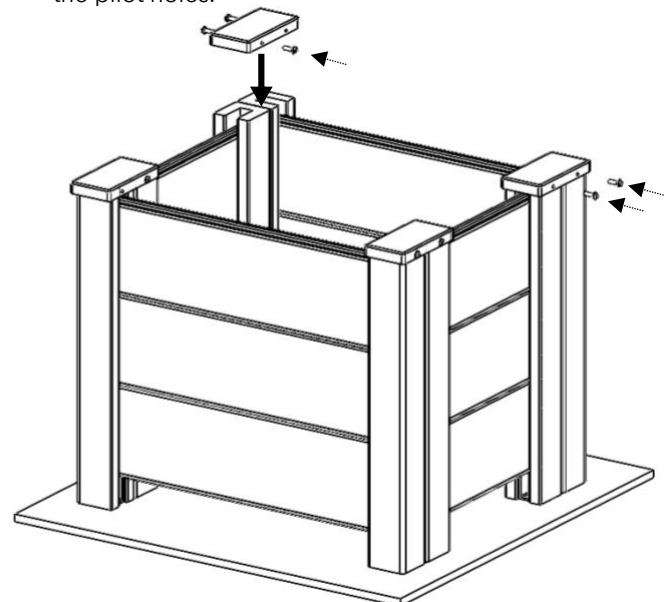
INSTALL BASE BOARDS

13. Lay three (six for 2x4 box) Medium T&G Boards (G) on the base with the tongue side first.
14. Evenly space the boards within base keep the boards locked together.



INSTALL TOP CAP

15. Slide four Double Top Caps (I) on to the top of each post
16. Secure with three 3/4" Screws (J) on each cap using the pilot holes.



To Fill Planter: Fill Planter with lightweight potting soil mix, avoid using heavy soil mixtures that contain clay, sand and/or gravel. Drill 1/4" holes in base boards for additional drainage.