

# DRT2033

DIRECT VENT GAS FIREPLACES

**Superior**  
FIREPLACES®



## STANDARD FEATURES

- Available in a 33" model
- Compact 14" depth is perfect for small spaces
- Dedicated top or rear flue configuration
- Electronic ignition with seamless battery backup provides continued operation in the event of a power outage (IPI/CPI switch standard).
- Outstanding heating efficiency for increased comfort and lower operating costs
- Standard tempered glass and a protective screen\*
- Detailed ceramic fiber log set
- Clean faced heat-circulating design
- Black painted interior
- Optional blower and hand-held remote controls are available
- Durable textured powder coat finish
- 20 year limited warranty

\*All applicable models comply with ANSI Z21.50/88 barrier requirements.

[superiorfireplaces.us.com](http://superiorfireplaces.us.com)

## INTERIOR



Black Painted (Standard)

## REMOTE

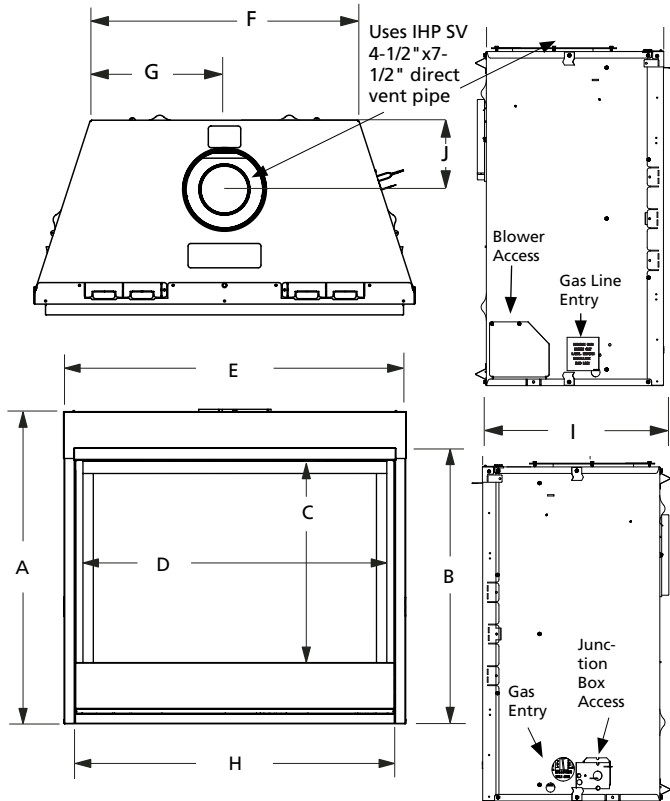


Thermostatic  
Remote  
(Optional)



Hand-Held  
On/Off  
Remote  
(Optional)

## APPLIANCE SPECIFICATIONS

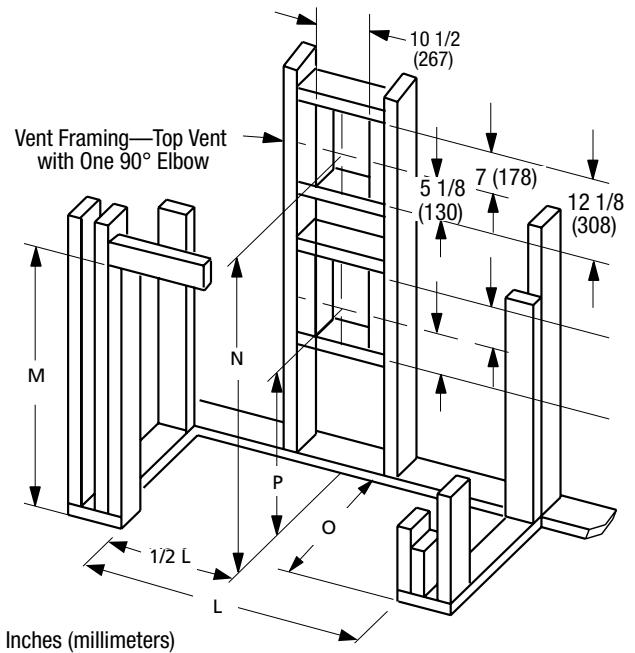


### DRT2033

|   |           |
|---|-----------|
| A | 30-1/8"   |
| B | 26-1/4"   |
| C | 18-5/16"  |
| D | 30-1/2"   |
| E | 33-5/8"   |
| F | 21-7/8"   |
| G | 10-15/16" |
| H | 31"       |
| I | 14"       |
| J | 5-3/4"    |

On the cover: DRT2033 shown with Black Painted Interior

## FRAMING SPECIFICATIONS



### DRT2033

|   |         |
|---|---------|
| L | 34-1/8" |
| M | 34-1/4" |
| N | 36-7/8" |
| O | 14-1/2" |
| P | 19-5/8" |

## FIREPLACE EFFICIENCIES

| MODEL   | FUEL | BTU/HR | AFUE** | P4/ENERGUIDE* |
|---------|------|--------|--------|---------------|
| DRT2033 | NG   | 12,000 | 64%    | 60.4%/64.8%   |
| DRT2033 | LP   | 10,000 | 64%    | 60.4%/64.8%   |

\*Intermittent ignition systems. Millivolt/Electronic.

\*\*Annual Fuel Utilization Efficiency (AFUE) is the recognized U.S. rating system for the total efficiency of heating products.

### IMPORTANT NOTES:

As with any fireplace, this appliance is extremely hot during operation. Read and understand all operating instructions before using this appliance. For further information, consult your dealer.

Local conditions, such as elevation, wind, vent configuration and choice of fuel will affect overall appearance of the fire and heating performance. Performance can also vary with home design and insulation, climate, condition and type of fuel used, appliance location, burn rate, accessories chosen, chimney installation and how the appliance is operated.

Diagrams, illustrations and photographs are not to scale—consult installation instructions. Product designs, materials, dimensions, specifications, colors and prices are subject to change or discontinuance without notice.



© 2022 Innovative Hearth Products

785814M 03/22

Visit us online  
[SuperiorFireplaces.us.com](http://SuperiorFireplaces.us.com)

