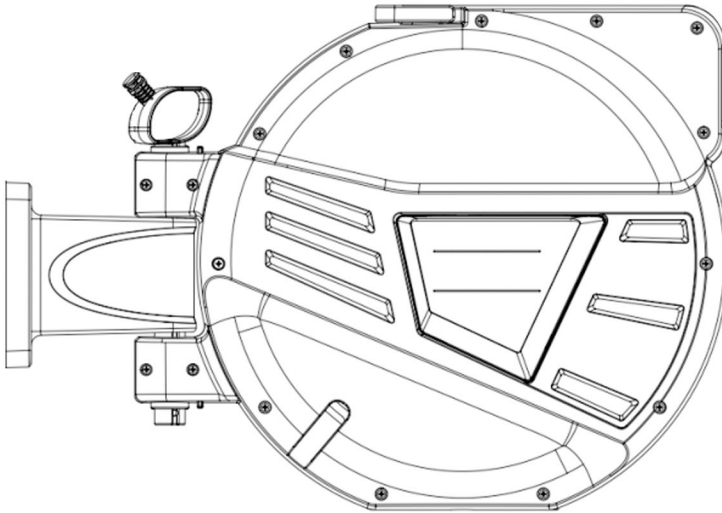


INSTRUCTION MANUAL

【 RETRACTABLE HOSE REEL 】



NOTE:

Read the instruction manual carefully before using the tool and follow all given instructions. Save the instructions for further the reference.

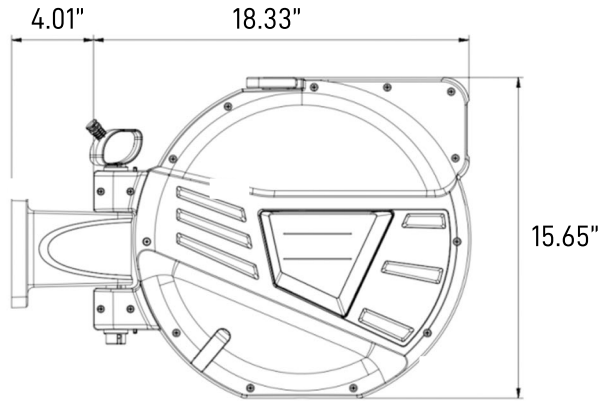
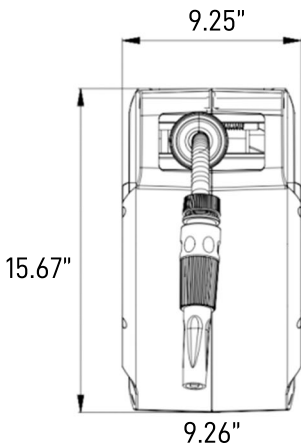


TABLE OF CONTENTS

Product Information	_____	02
Unboxing Guide	_____	03
Tools Requirement	_____	04
Installation Steps	_____	04
Product Testing	_____	06
Operational Instructions	_____	07
Troubleshooting	_____	07
Maintenance and Care	_____	08

PRODUCT INFORMATION >>

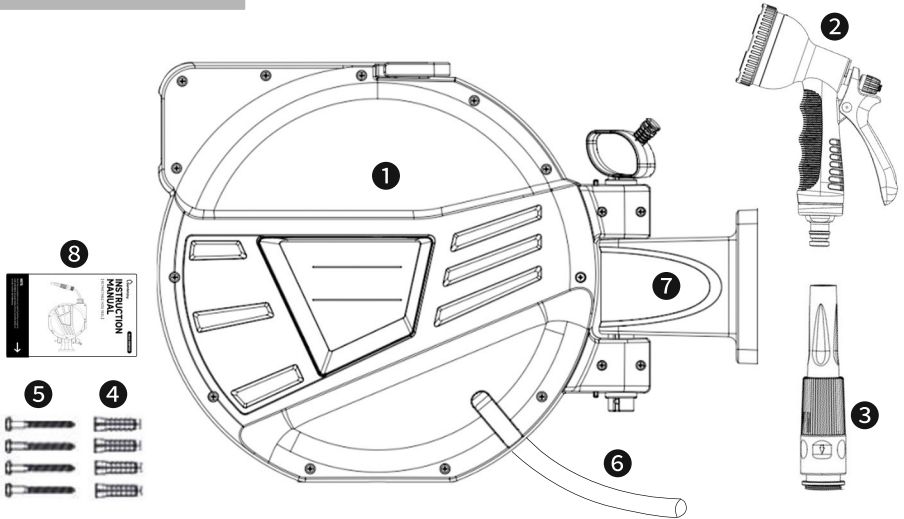
Thank you for choosing the Gardenjoy retractable hose reel. Our product uses a sturdy reinforced hose, ensuring outstanding strength and durability. The addition of a multi-function hose nozzle and backup sprinkler cater to all your watering needs. Before using the retractable hose reel, we recommend a thorough review of the installation instructions within the Gardenjoy brand guide. Refer to this guide for a seamless experience whenever needed. Happy gardening!



Diameter of Hose	1/2 in	Working Temperature	20 - 115 °F
Length of Outlet Hose	100ft	Working Pressure	0.8MPA
Length of Leader Hose	6.56ft	Burst Pressure	2.4MPA
Connection Type	3/4 NPT	Item Weight	22.27lbs

UNBOXING GUIDE >>

What's Included



❶ 1 x Retractable Hose Reel

❷ 1 x 10 Patterns Nozzle

❸ 1 x Backup Sprinkler

❹ 4 x Ribbed Plastic Anchor

❺ 4 x Screw

❻ 1 x 6.56ft Leader Hose

❼ 1 x Mounting Bracket

❽ 1 x Product Manual

COMPONENT CHECK

1. Check all components within the packaging to ensure they are complete.
2. Check the product's exterior for any potential scratches or dents.

If you have any of the above two questions, please contact the Gardenjoy customer service team right away.

Tips: If the received package smells, this is caused by the sealed environment during the shipment overseas, please feel free to use it.

TOOLS REQUIREMENT >>

- Electric drill (1/2")
- Hammer
- Socket set

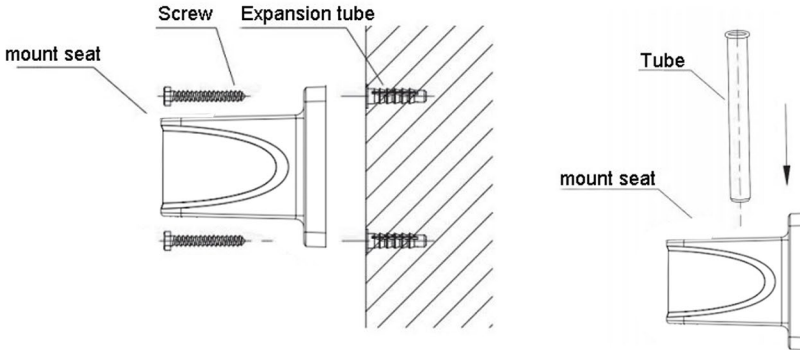
INSTALLATION STEPS >>

Befor You Start

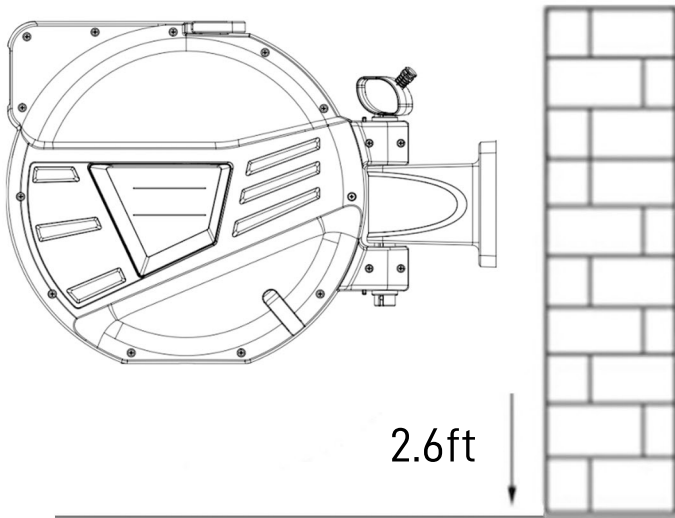
Due to the weight of the filled reel and the pulling force during use, the bracket must be installed on a solid surface.

Notice: The surface needs to be able to withstand 30kg of force. As a matter of convenience, please install the hose reel nearest to your chosen water source. Make sure the leader hose can reach the faucet prior to mounting. The hose reel can be mounted on a wall or a post. Using the precise size drill will ensure a secure fit of the bracket. Please measure the correct drill bit width before use. To make sure the anchors have a secure fit, you may drill slightly under size since masonry materials all have different properties.

Start to Install



- Step 1** Determine the precise locations of the four holes on the bracket and mark them using a marker.
- Step 2** It is recommended to use a 1/2" drill and then drill at least 2.37-inch deep holes to match the holes in the Mount seat.
- Step 3** Hammer wall anchors into the 4 holes.
- Step 4** Hold the bracket in place, then put the screws in.
- Step 5** Connect the hose reel to the Mounting Bracket with the tube.
- Step 6** Connect the leader hose connector to the faucet.
- Step 7** Connect the nozzle to the hose.
- Step 8** Tighten the nozzle and leader hose connector



Tips: It is recommended to install the mounting seat 2.6ft from the mounting seat to the floor.

PRODUCT TESTING >>

1. Check if the water hose is leaking:

- Leaking near the faucet
- Leaking near the hose reel

2. Check whether the nozzle is leaking.

3. Check whether the hose retracts normally

- Can't retract automatically
- Unable to pause

OPERATIONAL INSTRUCTIONS >>

1. Pull the hose to the desired length and stop, the hose will lock.
2. To unlock the hose, give the hose a small tug and release the force, the hose will start retraction. Please hold the nozzle when the hose is retraction until it is finished.
3. To shorten the hose, let the hose retract to the new desired length, pull the hose out a little more, and then stop.

Tips: Please retract the hose at a steady pace, ensuring it retracts smoothly without tangling or kinking. Avoid excessive force or high speed to prevent damage to both the hose and the nozzle.

TROUBLESHOOTING >>

The most common trouble is that the hose cannot be retracted automatically after extending the hose fully.

The reason may be that:

The hose end is just locked in the locking point, and there's no extra hose to be pulled out for a release. There are two ways to solve this:

1. hold the hose at the yellow warning mark and pull with a jerking motion until the hose retracts.
2. Place the item with its right side down, and pull on the hose until it retracts.

MAINTENANCE AND CARE >>

DO NOT DISASSEMBLE THE HOSE REEL BY YOURSELF

The internal spring mechanism is held under tension and is dangerous when released. And Internal metal parts are irreplaceable.

DO NOT EXPOSE THE HOSE REEL TO THE COLD ENVIRONMENT IN WINTER

In winter, the plastic cover may become brittle, and the water inside the hose may expand and contract. This expansion can lead to freezing, potentially causing the hose to crack.

TURN OFF THE FAUCET WHEN NOT IN USE

Leaving the faucet open continuously will subject the hose to unnecessary pressure, reducing the product's lifespan.

CLEANING THE PRODUCT

When cleaning the hose reel housing and hose, simply wipe them with a damp cloth. This practice helps extend the product's lifespan. Timely cleaning of the hose prevents sand and dust from entering the reel, thereby preserving the automatic retraction system. Remember do not submerge the hose reel in water directly.

DO NOT USE ANY CHEMICALS

Do not use any chemicals or substances on this hose, such as dialysis, petroleum solvents, lactic acid, etc., as this might result in damage.

◆ *Gardenjoy Tools — Garden magic, Joy's the trick!* ◆

 **Gardenjoy**