



US00D926104S

(12) **United States Design Patent** (10) **Patent No.:** **US D926,104 S**
Nichols et al. (45) **Date of Patent:** **** Jul. 27, 2021**

(54) **WHEEL CHOCK**
(71) Applicant: **AVID Labs, LLC**, Fort Wayne, IN (US)
(72) Inventors: **Joel A. Nichols**, Columbia City, IN (US); **Andrew Trenton**, Fort Wayne, IN (US)
(73) Assignee: **AVID Labs, LLC**, Fort Wayne, IN (US)
(**) Term: **15 Years**
(21) Appl. No.: **29/724,760**
(22) Filed: **Feb. 19, 2020**
(51) **LOC (13) Cl.** **12-16**
(52) **U.S. Cl.**
USPC **D12/217**
(58) **Field of Classification Search**
USPC D12/217, 223; D34/31, 32, 38;
D25/102, 113; D8/354, 402
See application file for complete search history.

D425,440 S * 5/2000 Franklin D10/113.3
D460,013 S * 7/2002 Spiller D10/113.3
D461,138 S * 8/2002 Spiller D10/113.3
D463,868 S * 10/2002 Foster D25/164
6,681,901 B2 * 1/2004 Agtuca B60T 3/00
188/32
D512,950 S * 12/2005 Kondo D12/217
D543,926 S * 6/2007 Kutzler D12/217
D587,183 S * 2/2009 Blumenthal D12/217
D625,677 S * 10/2010 Robbins, Sr. D12/217
D750,005 S * 2/2016 Anderson D12/217
D795,112 S * 8/2017 Fenimore D10/113.3
D807,807 S * 1/2018 Anderson D12/217
D812,779 S * 3/2018 Bonk B60T 3/00
D25/102
D852,716 S * 7/2019 Anderson D12/217
D902,762 S * 11/2020 French D10/113.3

* cited by examiner

Primary Examiner — Stacia A Cadmus
(74) *Attorney, Agent, or Firm* — Taylor IP, P.C.

(57) **CLAIM**

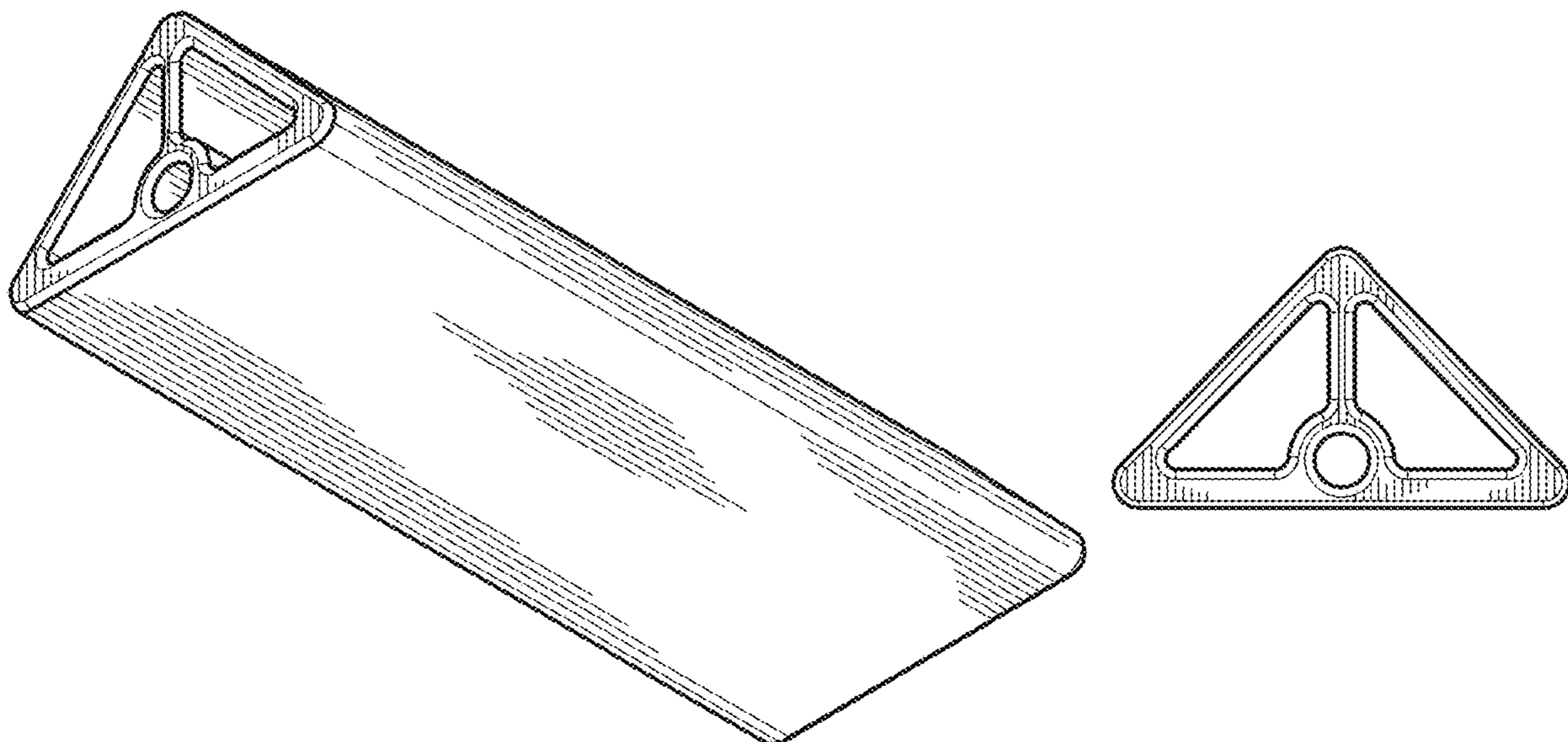
The ornamental design for the wheel chock, as shown and described.

DESCRIPTION

FIG. 1 is a perspective view of a wheel chock showing our new design;
FIG. 2 is a side view thereof, the opposite side being a mirror image of this view;
FIG. 3 is an end view thereof, the opposite end being a mirror image of this view;
FIG. 4 is a bottom view thereof; and,
FIG. 5 is a top view thereof.

1 Claim, 2 Drawing Sheets

(56) **References Cited**
U.S. PATENT DOCUMENTS
D402,616 S * 12/1998 Henry D12/217
D404,001 S * 1/1999 Henry D12/217
D407,059 S * 3/1999 Henry D12/217
D409,133 S * 5/1999 Henry D12/217
D410,887 S * 6/1999 Henry D12/217
D412,481 S * 8/1999 Henry D12/217
D415,463 S * 10/1999 Henry D12/217
D418,167 S * 12/1999 Stutsman D25/102



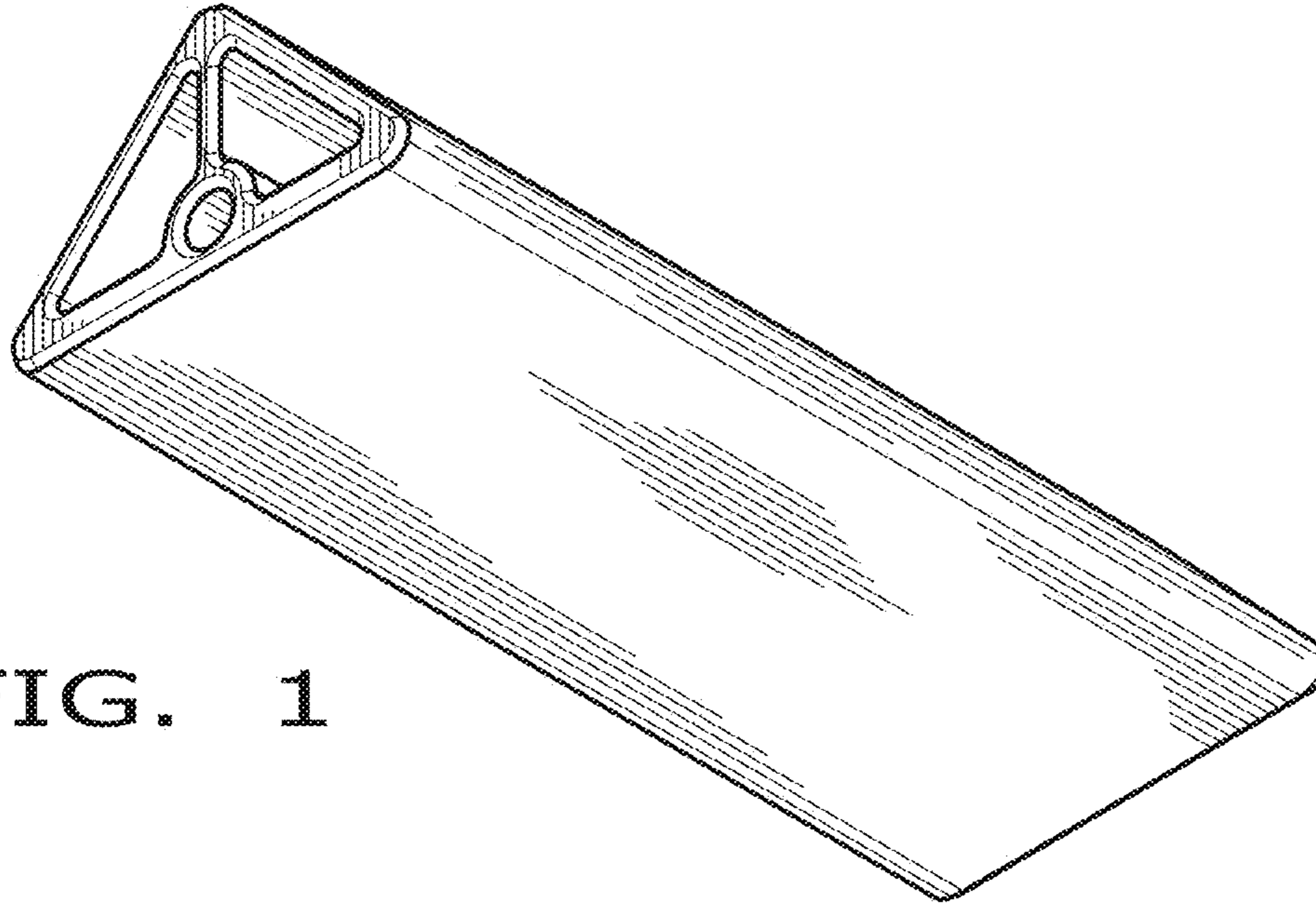


FIG. 1

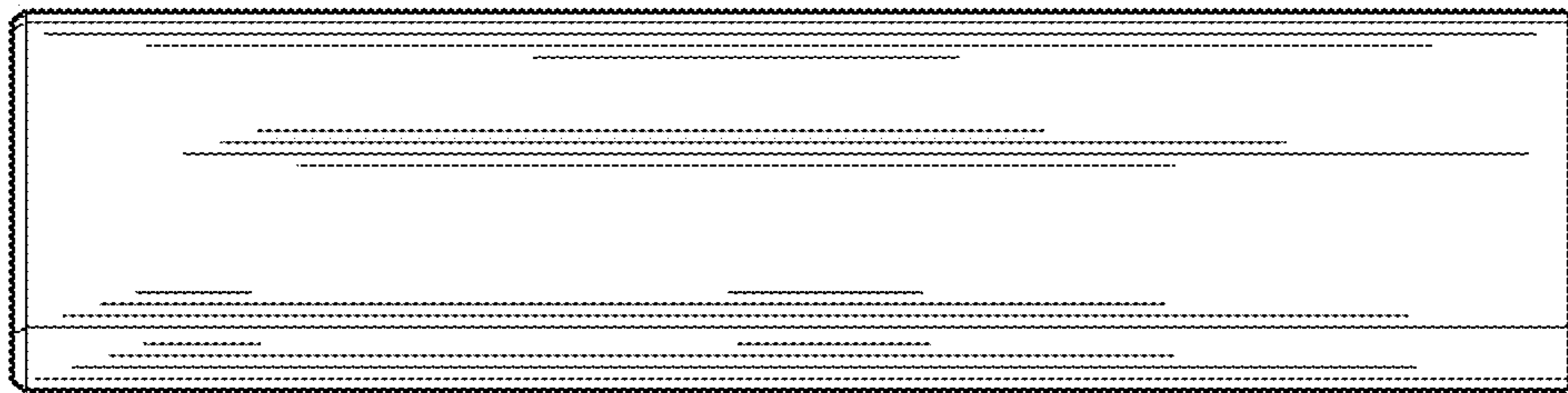


FIG. 2

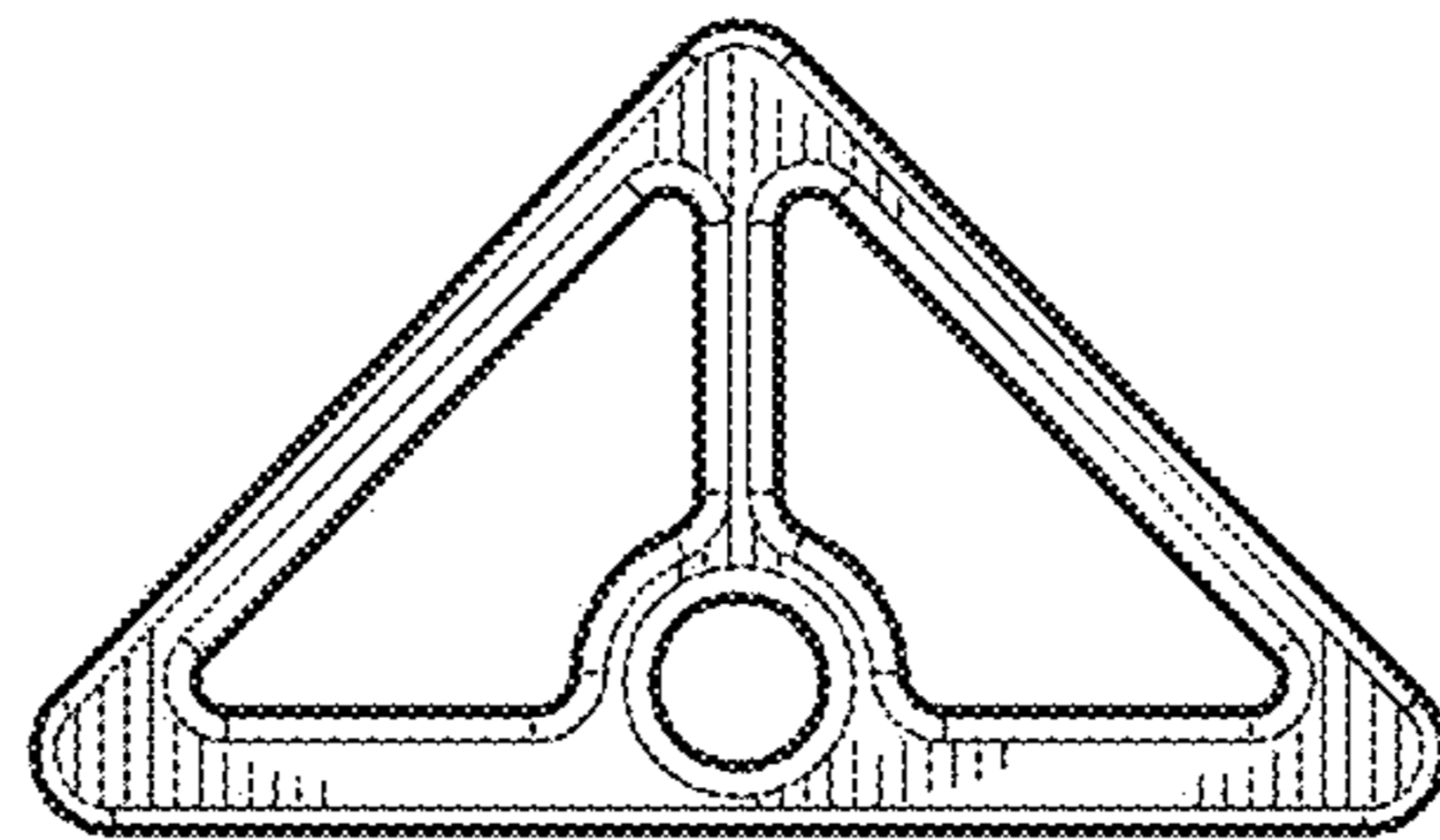


FIG. 3

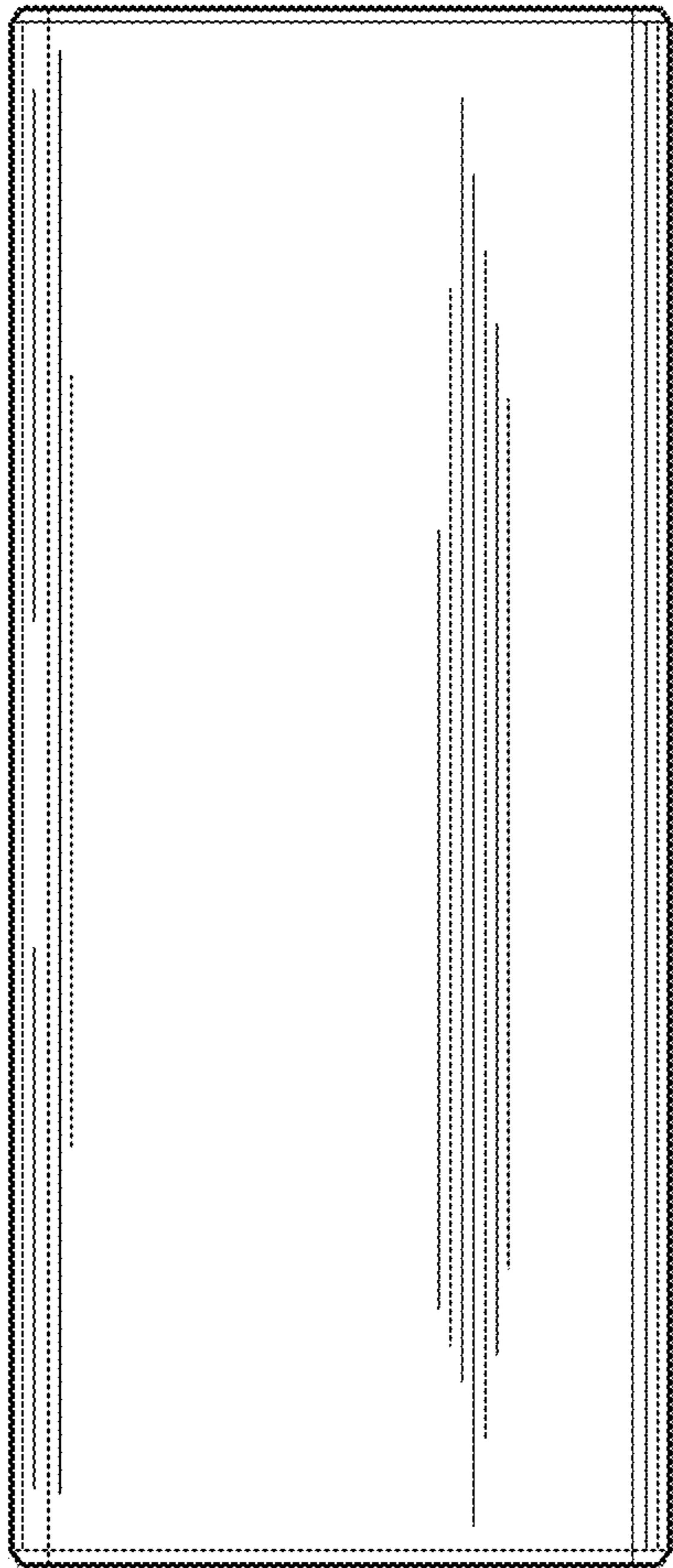


FIG. 4

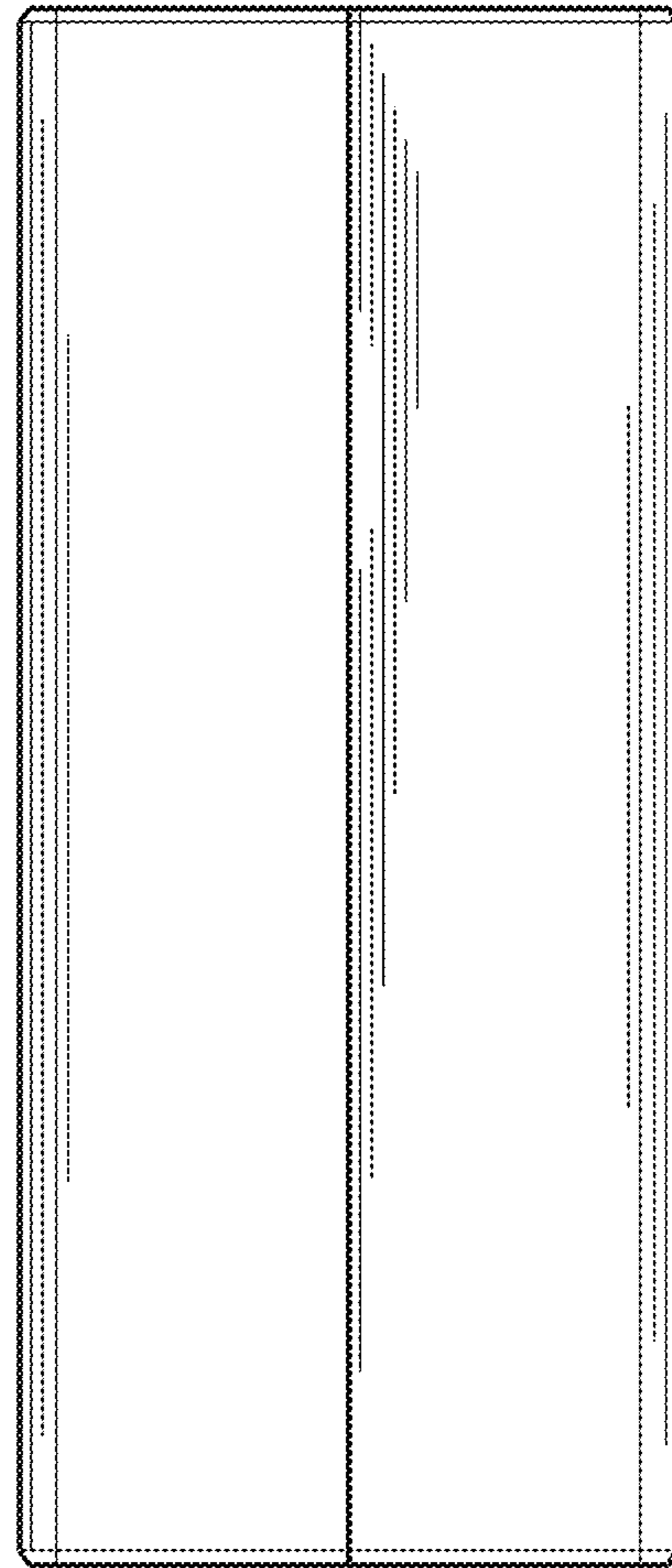


FIG. 5