



US00D720343S

(12) **United States Design Patent**
Nichols

(10) **Patent No.:** **US D720,343 S**

(45) **Date of Patent:** **** Dec. 30, 2014**

(54) **STAND**

(71) Applicant: **Apollo Design Technology, Inc.**, Fort Wayne, IN (US)

(72) Inventor: **Joel A. Nichols**, Columbia City, IN (US)

(73) Assignee: **Apollo Design Technology, Inc.**, Fort Wayne, IN (US)

(**) Term: **14 Years**

(21) Appl. No.: **29/460,575**

(22) Filed: **Jul. 12, 2013**

(51) **LOC (10) Cl.** **14-03**

(52) **U.S. Cl.**

USPC **D14/253**; D14/447; D6/682.3

(58) **Field of Classification Search**

USPC D6/300, 310, 672; D14/253, 252, 208, D14/209.1, 432, 447, 451; D13/108, 107

See application file for complete search history.

(56) **References Cited**

U.S. PATENT DOCUMENTS

D494,182	S	*	8/2004	Singer et al.	D14/451
D619,996	S	*	7/2010	Demskie et al.	D14/218
D639,810	S	*	6/2011	Hwang et al.	D14/434
D640,708	S	*	6/2011	Lee	D14/447
D663,726	S	*	7/2012	Gourley	D14/251
D690,647	S	*	10/2013	Huang et al.	D13/108
D691,125	S	*	10/2013	Cheon et al.	D14/253
D703,676	S	*	4/2014	Smith et al.	D14/447
D703,677	S	*	4/2014	Bigazzi et al.	D14/447
D711,364	S	*	8/2014	Barker	D14/252
D713,836	S	*	9/2014	Cheon	D14/253

OTHER PUBLICATIONS

Wave Cradle 2, available Oct. 2013, [online], [site visited Sep. 24, 2014]. Available from internet, <URL: <http://www.pinterest.com/pin/370772981793187715/>>.*

Wave Cradle, available Aug. 17, 2011, [online], [site visited Sep. 24, 2014]. Available from internet, <URL: <http://www.ohgizmo.com/2011/08/17/wave-cradle-sound-enhancing-iphone-stand/>>.*

Device cradle, available Feb. 21, 2009, [online], [site visited Sep. 24, 2014]. Available from internet, <URL: <http://www.handhelditems.com/edifier-iberth-p-188054.html>>.*

WaveCradle Classic, iPhone Stand, accessed on the Internet at: www.amazon.com/WaveCradle-Classic-batteries-electricity-FaceTime/dp/B004M4XOEE on Oct. 10, 2013. Available for purchase prior to Jul. 12, 2013.

WaveCradle Low Profile, iPhone Stand, accessed on the Internet at: www.avidlabs.com/wavecradle-low-profile.html on Oct. 10, 2013. Available for purchase prior to Jul. 12, 2013.

* cited by examiner

Primary Examiner — Cathron Brooks

Assistant Examiner — Teddy Falloway

(74) *Attorney, Agent, or Firm* — Barnes & Thornburg LLP; Alice O. Martin

(57) **CLAIM**

The ornamental design for a stand, as shown and described.

DESCRIPTION

FIG. 1 is a front perspective view of an ornamental design for a stand in a first orientation;

FIG. 2 is a rear elevational view of the stand of FIG. 1;

FIG. 3 is an elevational view of a first side of the stand of FIG. 1 in the first orientation;

FIG. 4 is an elevational view of a second side of the stand of FIG. 1 in the first orientation, wherein the second side is opposite the first side;

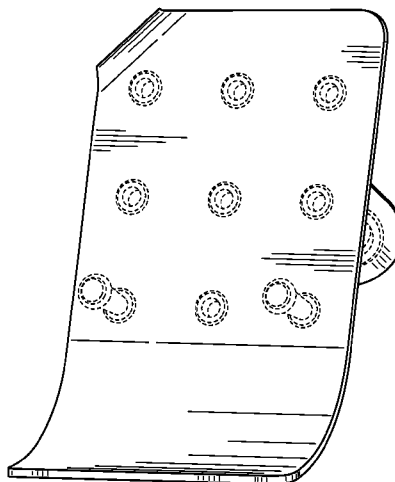
FIG. 5 is a plan view of the stand of FIG. 1 in the first orientation;

FIG. 6 is a front perspective view of the stand of FIG. 1 in a second orientation; and,

FIG. 7 is a rear perspective view of the stand of FIG. 1 in the second orientation.

The broken lines in the drawings depict environmental subject matter only and form no part of the claimed design.

1 Claim, 7 Drawing Sheets



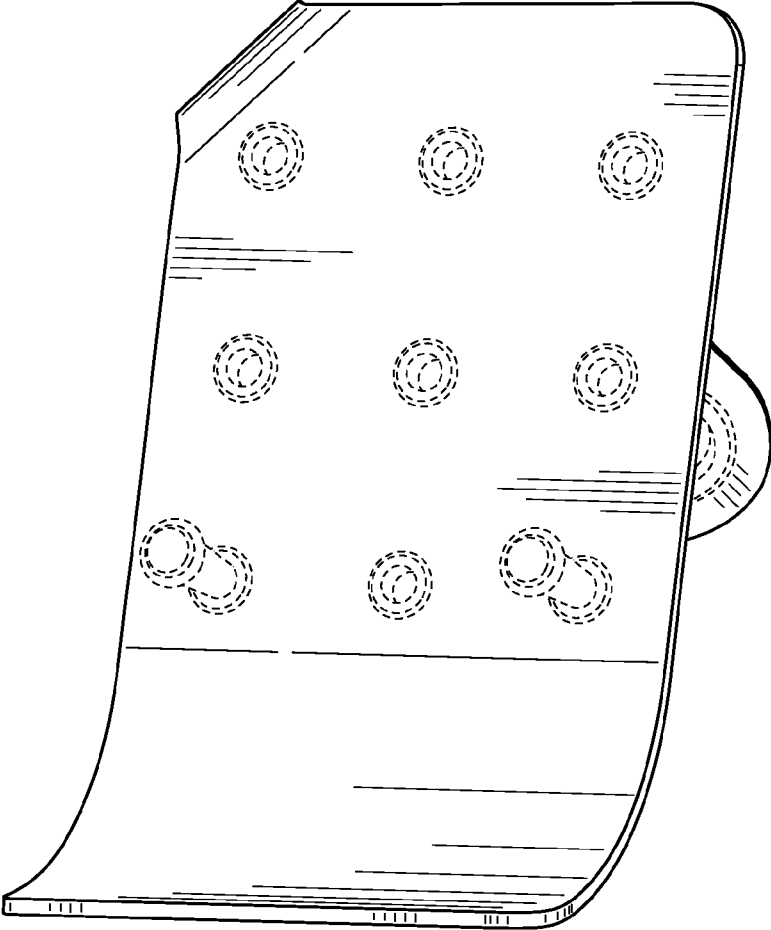


FIG. 1

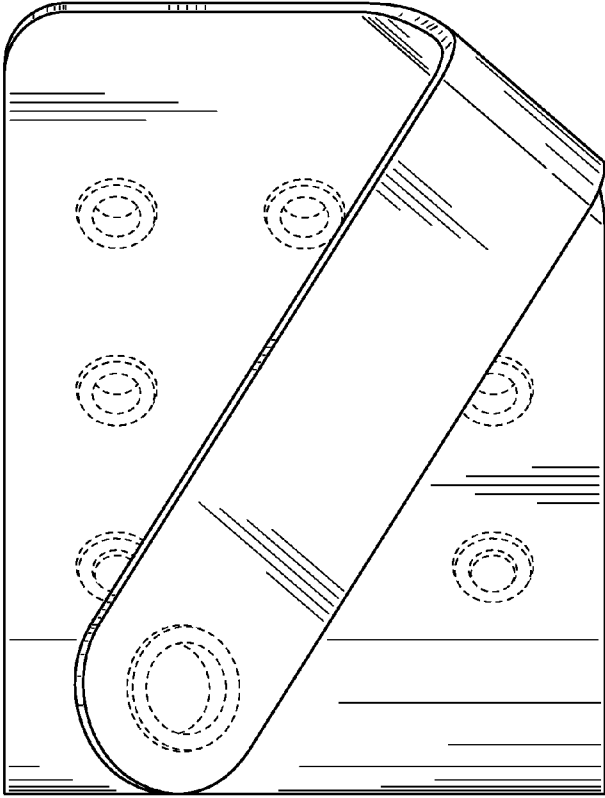


FIG. 2

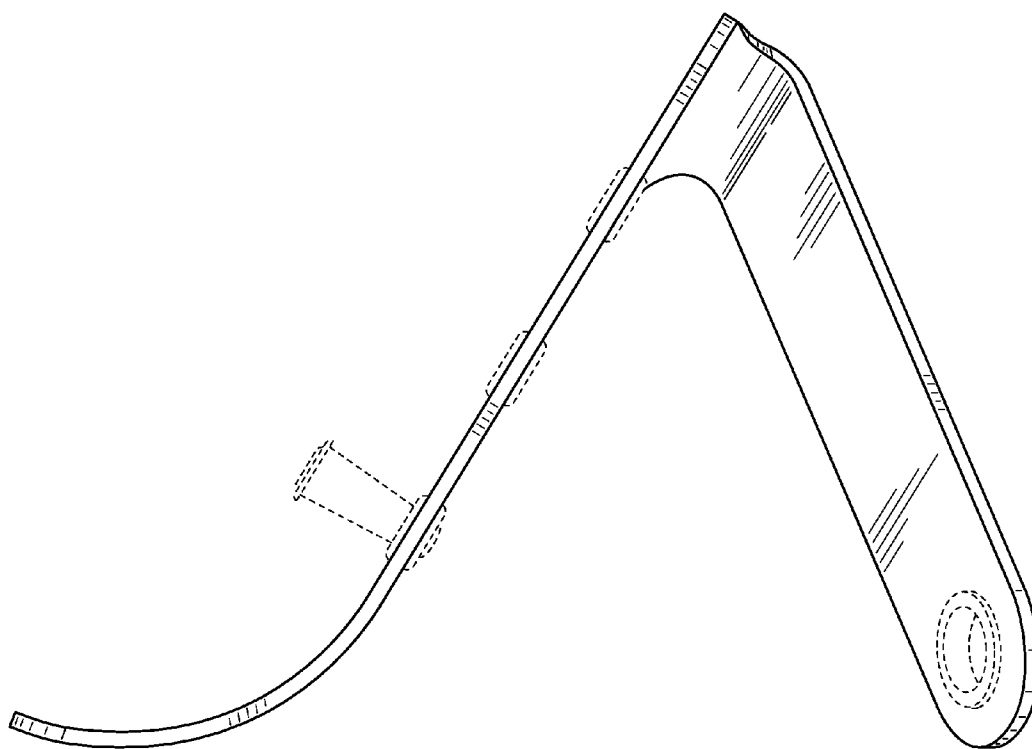


FIG. 3

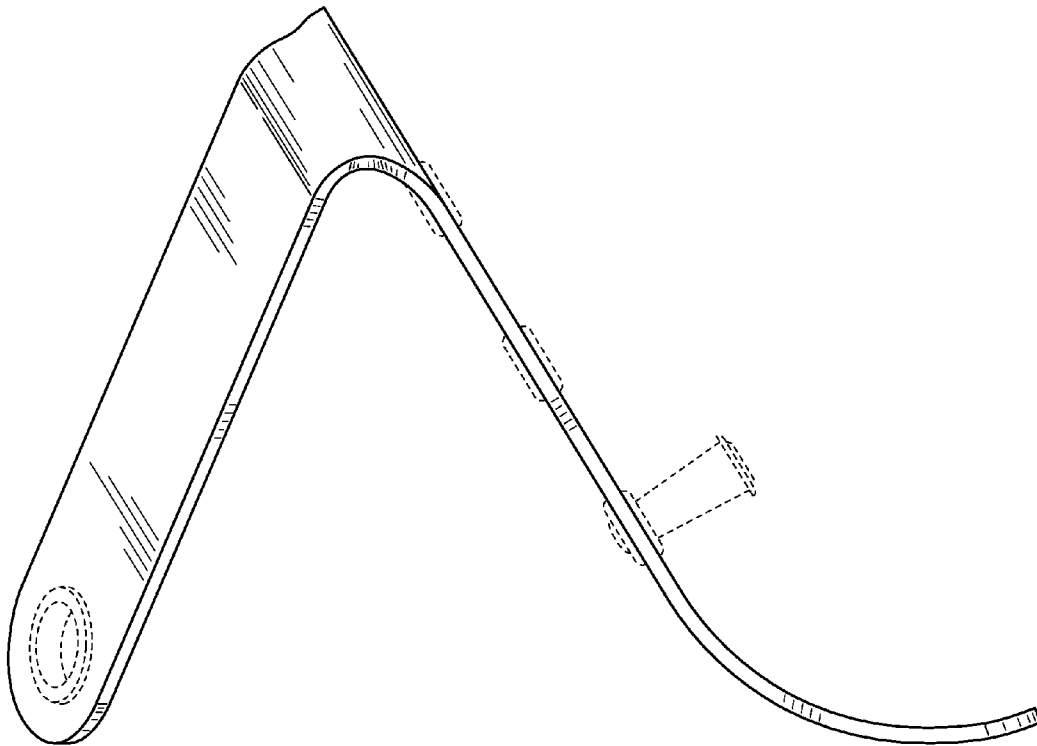


FIG. 4

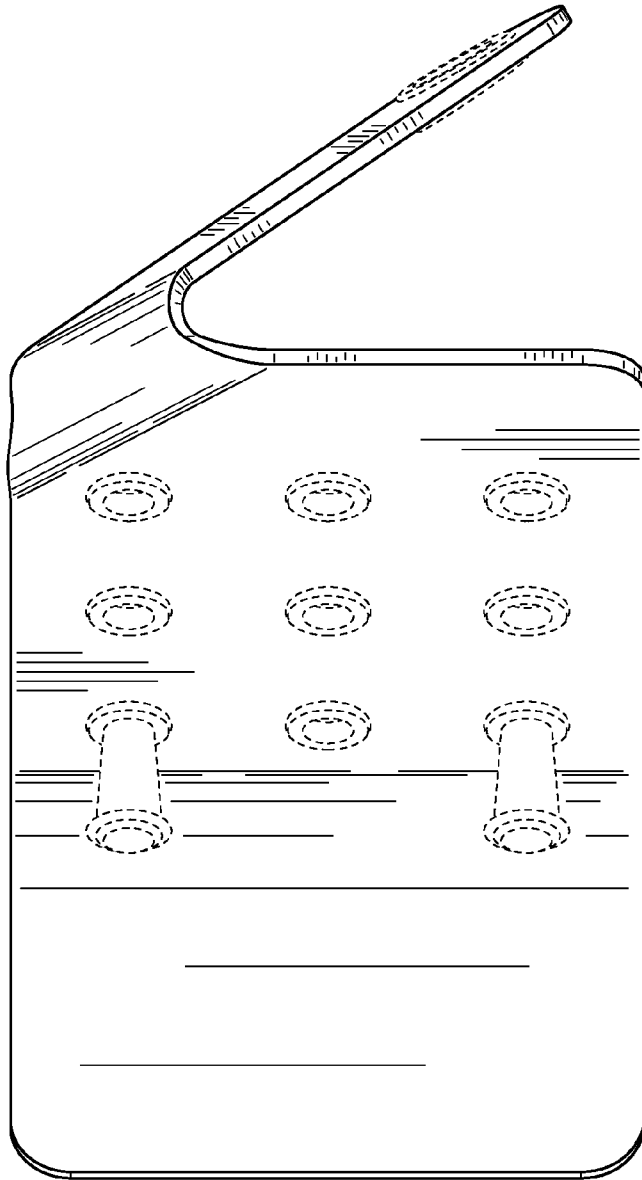


FIG. 5

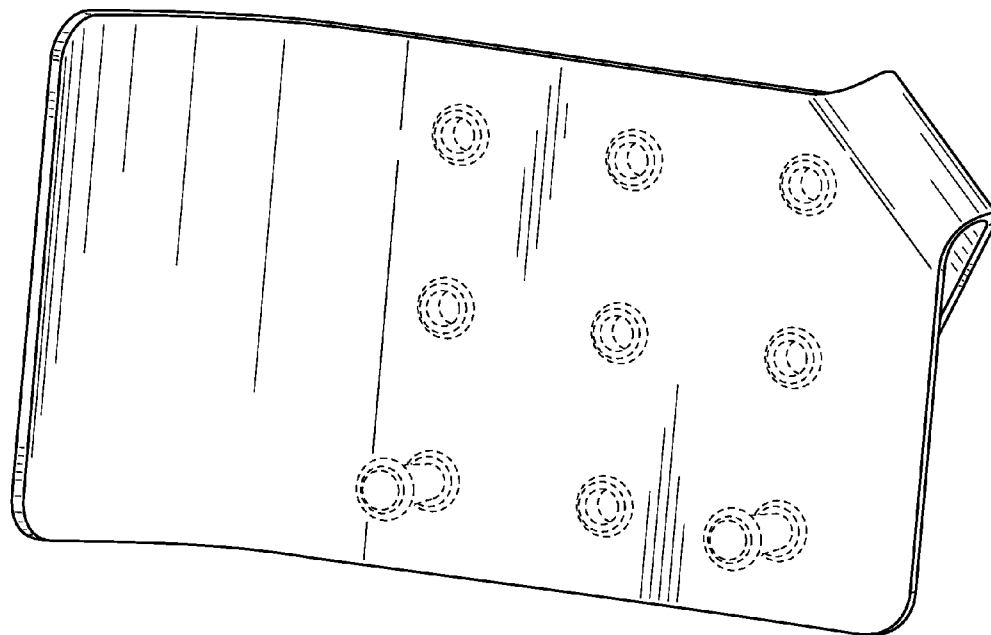


FIG. 6

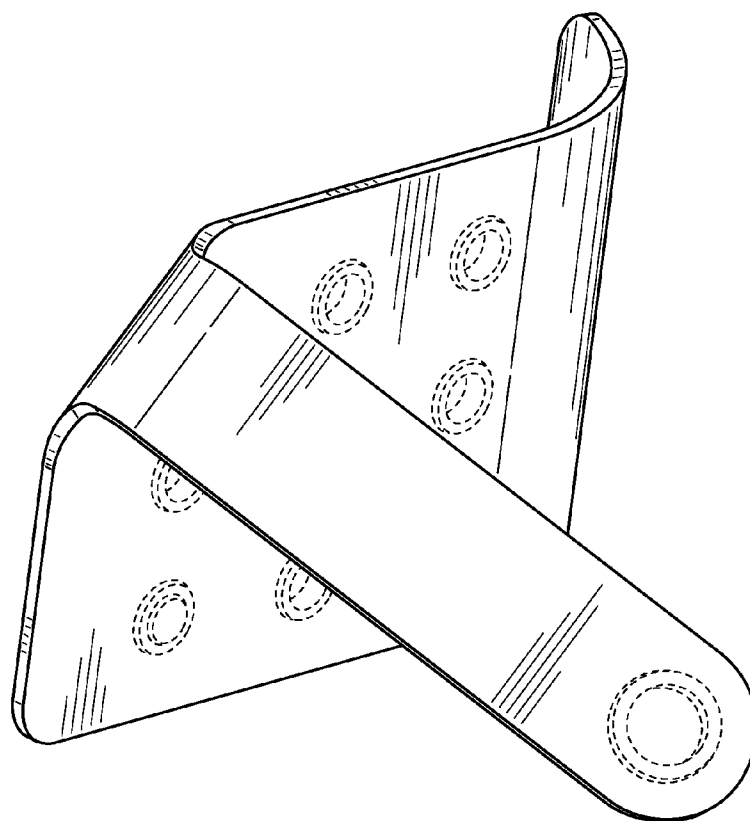


FIG. 7