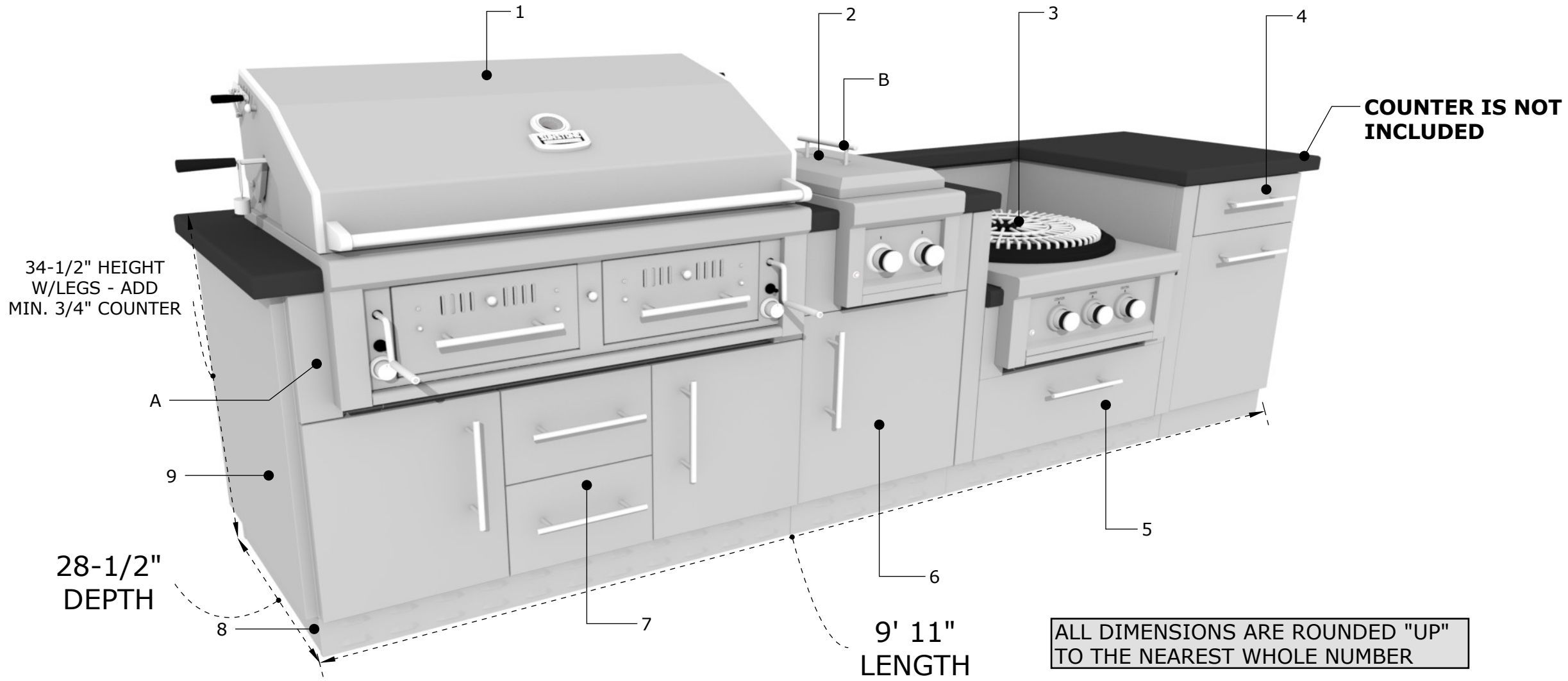


SUNSTONE CABINET PACKAGE - THE DALLAS

Re-Configure how you like*



SUNSTONE METAL PRODUCTS
 16004 CENTRAL COMMERCE DR.
 PFLUGERVILLE, TEXAS 78660
 Tel: 888.934.9449
 Bus: 512.487.5116
 Fax: 512.487.7016

PRODUCT
 THE DALLAS 9' 11" ISLAND
 PACKAGE

Item No. SCPDALLAS

DESCRIPTION
 The Dallas is 9 Feet 11 Inches
 cabinet island in all 304
 Stainless Steel it is the true
 Grillers Kitchen

- 42" Gas Hybrid Charcoal
- 46" Charcoal Grill Cabinet
- 13" Versa Double Burner
- 12" Spice Rack Cabinet
- 24" Sink Base
- End Panels
- End Kickplates
- All Hardware Included
- Front/Back Kick Plates
- Heavy-Duty Legs
- Counter Top Not Included

Equipment List - See individual product Specification Sheets for more info.

ITEM	MODEL	DESCRIPTION	QTY.
1	SUNCHDZ42	42" Gas Hybrid Dual Zone Charcoal Grill	1
2	SUN13VDB	13" Slide in Versa Double Burner	1
3	SUN24PCB	24" Power Cirque™ Burner	1
4	SBC18SLPCD	18" Propane Drawer Cabinet	1
5	SAC33PBDC	33" Power Burner Cabinet	1
6	SAC20CSDR	20" Right Swing Appliance Cabinet	1
7	SAC46CGDC	46" Charcoal Grill Cabinet	1
8	SCC25KP	25" Universal Side Kickplate	2
9	SCC27EP	27" Universal End Panel	2

Specifications

Package Size

Length measurement is rounded
 up to the nearest whole number
 9' 11" Length (includes 2 x 1" End
 Panels) x 28-1/4"D (w/Doors) x 34-
 1/2"H (w/Legs) or 35-3/4"H
 (w/3/4" Counter)