



BLANC FIXED SPEED



SUPER COOL



HIGH
DENSITY
FILTERS



FOLLOW ME

BLANC FIXED SPEED

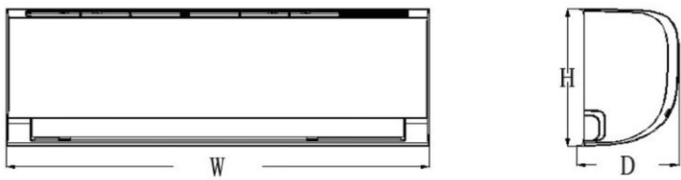


SPECIFICATIONS

Model	Indoor		MSAFA-09HRN1-FXC4	MSAFB-12HRN1-FXC4	MSAFC-18HRN1-FXC4	MSAFD-24HRN1-FXC4
				22022011008561	22022011008559	22022011008558
Model	Outdoor		MSAFA-09HRN1-FXC4	MSAFB-12HRN1-FXC4	MSAFC-18HRN1-FXC4	MSAFD-24HRN1-FXC4
				22022016008522	22022016008520	22022016008519
Power supply		Ph-V-Hz	220-240V- 50Hz, 1Ph	220-240V- 50Hz, 1Ph	220-240V- 50Hz, 1Ph	220-240V- 50Hz, 1Ph
Cooling Performance						
Cooling	Capacity	W	2640	3261	4718	6302
	Input	W	822	1007	1512	1994
	Rated current	A	3.60	4.44	6.68	8.78
	EER	W/W	3.21	3.24	3.12	3.16
Heating Performance						
Heating	Capacity	W	2688	3277	5077	6201
	Input	W	766	953	1489	1819
	Rated current	A	3,36	4.20	6.60	8.01
	COP	W/W	3.51	3.44	3.41	3.41
Indoor Specifications						
Indoor air flow (Hi/Mi/Lo)		m3/h	450/392/311	585/460/365	768/623/497	946/850/790
Indoor noise level (Hi/Mi/Lo)		dB(A)	41/35/30	43/38/33	46/40/35	50/45/40
Indoor unit	Dimension(W*D*H)	mm	715x194x285	805x194x285	957x213x302	1040x220x327
	Packing (W*D*H)	mm	780x270x360	870x270x360	1035x295x380	1120x405x310
	Net/Gross weight	Kg	7.6/9.8	8.4/10.7	10.8/14.3	13.4/16.8
Outdoor Specifications						
Outdoor noise level		dB(A)	55	57	61	62
Outdoor unit	Dimension(W*D*H)	mm	700x275x550	770x300x555	845x363x702	845x363x702
	Packing (W*D*H)	mm	815x350x615	910x380x605	910x380x605	985x435x760
	Net/Gross weight	Kg	26.6/28.9	30.9/33.3	42.4/45.7	51.9/55.2
Refrigerant Piping						
Refrigerant type		g	R410A/660g	R410A/1100g	R410A/1350g	R410A/2200g
Refrigerant piping	Liquid side/ Gas side	mm(inch)	Φ6.35/Φ9.52(1/4"/3/8")	Φ6.35/Φ12.7(1/4"/1/2")	Φ6.35/Φ12.7(1/4"/1/2")	Φ9.52/Φ15.9(3/8"/5/8")
	Max. refrigerant pipe length	m	20	20	20	25
	Max. difference in level	m	8	8	8	10

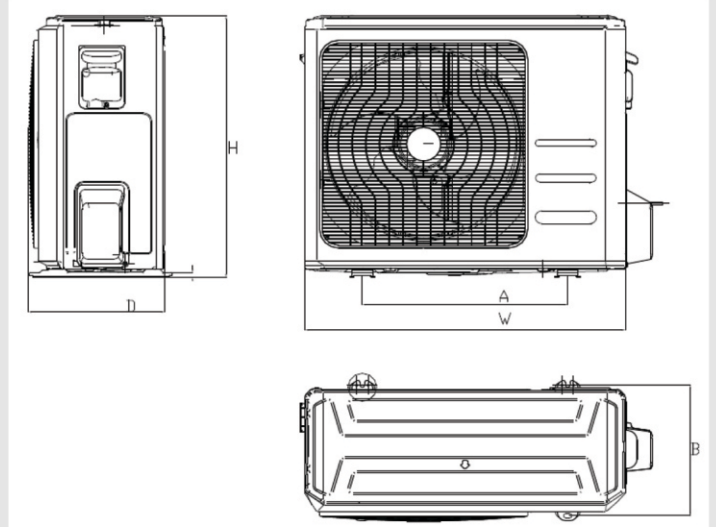
Indoor Dimensions

Model	W X D x H
MSAFA-09HRN1-FXC4	715 x 194 x 285
MSAFB-12HRN1-FXC4	805 x 194 x 285
MSAFC-18HRN1-FXC4	957 x 213 x 302
MSAFD-24HRN1-FXC4	1040 x 220 x 327



Outdoor Dimensions

Model	W x D x H	A	B
MOBA30-09HFN1-QR	700 x 275 x 555	487	298
MOBA30-12HDN1-QC2	770 x 300 x 555	487	298
MOBA30-18HDN1-QC0	845 x 363 x 702	540	350
MSAFD-24HRN1-FXC4	845 x 363 x 702	540	350





BLANC INVERTER



SUPER COOL

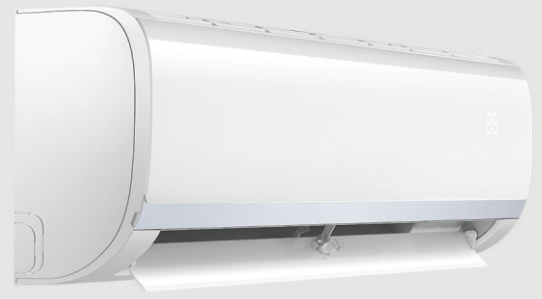


HIGH
DENSITY
FILTERS



FOLLOW ME

BLANC INVERTER



SPECIFICATIONS

Model	Indoor		MSAFU-09HRDN1-QRD0GW	MSAFB-12HRDN1-QC2	MSAFC-18HRDN1-QC0	MSAFD-24HRDN1-QC0W
			22022011006522	22022011006198	22022011006418	22022011010238
Model	Outdoor		MOBA30-09HFN1-QRD0GW	MOBA30-12HDN1-QC2	MOBA30-18HDN1-QC0	MOCA30-24HDN1-QD0W
			22022016005302	22022016005828	22022016007263	22022016009999
Power supply		Ph-V-Hz	220-240V- 50Hz, 1Ph	220-240V- 50Hz, 1Ph	220-240V- 50Hz, 1Ph	220-240V- 50Hz, 1Ph
Cooling Performance						
Cooling	Capacity	W	2550	3355	4947	6475
	Input	W	785	1104	1644	2137
	Rated current	A	3,55	4.85	7.23	9,39
	EER	W/W	3,25	3,04	3,01	3,03
Heating Performance						
Heating	Capacity	W	2830	3410	5005	6560
	Input	W	830	997	1468	1918
	Rated current	A	3,65	4.38	6.45	8,54
	COP	W/W	3,41	3,42	3,41	3,42
Indoor Specifications						
Indoor air flow (Hi/Mi/Lo)		m3/h	420/320/270	560/498/440	833/664/538	1018/810/607
Indoor noise level (Hi/Mi/Lo)		dB(A)	40/34/25	44/38/29	44 /39 /32	48/42/36
Indoor unit	Dimension(W*D*H)	mm	715x194x285	805x194x285	957x213x302	1040x220x327
	Packing (W*D*H)	mm	780x270x360	870x270x360	1035x295x380	1120x405x310
	Net/Gross weight	Kg	6.8/8.9	8.3/10.8	11.5/14.7	13.3/16.6
Outdoor Specifications						
Outdoor noise level		dB(A)	56	56.4	56.9	62
Outdoor unit	Dimension(W*D*H)	mm	770x300x555	770x300x555	770x300x555	845x363x702
	Packing (W*D*H)	mm	910 x 380 x605	910x380x605	910x380x605	985 x 435 x 760
	Net/Gross weight	Kg	25.2/27.4	25.5/27.9	30.6/32.9	50/53.3
Refrigerant Piping						
Refrigerant type		g	R410A/800	R410A/760	R410A/1250	R410A/1560g
Refrigerant piping	Liquid side/ Gas side	mm(inch)	Φ6.35/Φ9.52(1/4"/3/8")	Φ6.35/Φ12.7(1/4"/1/2")	Φ6.35/Φ12.7(1/4"/1/2")	Φ9.52/Φ15.9(3/8"/5/8")
	Max. refrigerant pipe length	m	25	25	30	30
	Max. difference in level	m	10	10	20	20

Indoor Dimensions

Model	W X D x H
MSAFU-09HRDN1-QR	715 x 194 x 285
MSAFB-12HRDN1-QC2	805 x 194 x 285
MSAFC-18HRDN1-QC0	957 x 213 x 302
MSAFD-24HRDN1-QC0W	1040 x 220 x 327



Outdoor Dimensions

Model	W x D x H	A	B
MOBA30-09HFN1-QR	770x300x555	487	298
MOBA30-12HDN1-QC2	770x300x555	487	298
MOBA30-18HDN1-QC0	770x300x555	487	298
MOCA30-24HDN1-QD0W	845x363x702	540	350

