



SOVEREIGN PRO 12-300

BASS DRIVER

12" / 304.8 mm

CHASSIS DIAMETER

600 W

PROGRAM POWER

45 Hz - 4.5 kHz

FREQUENCY RESPONSE

2.5" / 63.5 mm

VOICE COIL

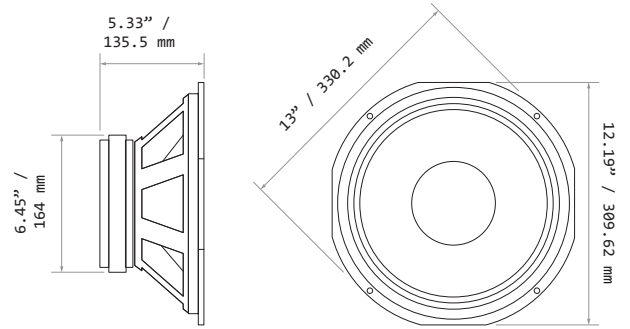
97.5 dB

SENSITIVITY (1W/ 1m)

4.5 mm Xmax

MAX. LINEAR EXCURSION

- + Highly versatile in 2-way ported enclosures.
- + Long-throw motor system design with high linearity suspension.
- + Solid bass and smooth mid-range performance with extended frequency response.
- + UK manufactured cone with optimised pulp offering increased strength, durability and performance.
- + Designed for use in 25-80 Litre ported enclosures.
- + 3-Inch Inside/ outside windings copper voice coil.



GENERAL SPECIFICATIONS

Nominal Chassis Diameter	12" / 304.8 mm
Nominal Impedance ⁽¹⁾	8 Ohm
Minimum Impedance Zmin	6.84 Ω
AES Power Handling ⁽²⁾	300 W (A.E.S.)
Program Power	600 W
Peak Power (6dB Crest Factor)	1200 W
Frequency Range ^(6dB)	45 Hz - 4.5 kHz
Sensitivity (1W/ 1m)	97.5 dB
Magnet Material	Ferrite
Magnet Weight	56 oz
Magnetic Gap Depth	0.39" / 10 mm
Flux Density	1.1 Tesla
Former Material	Glass Fibre
Voice Coil Material	Copper - Inside/ Outside
Coil Winding Height	0.70" / 18 mm
Voice Coil Diameter	2.5" / 63.5 mm
Cone/ Dust Dome Material	Curvilinear Paper / Solid Paper
Surround / Edge Termination	Polyvinyl Damped Dbl. Half Roll Poly Cotton

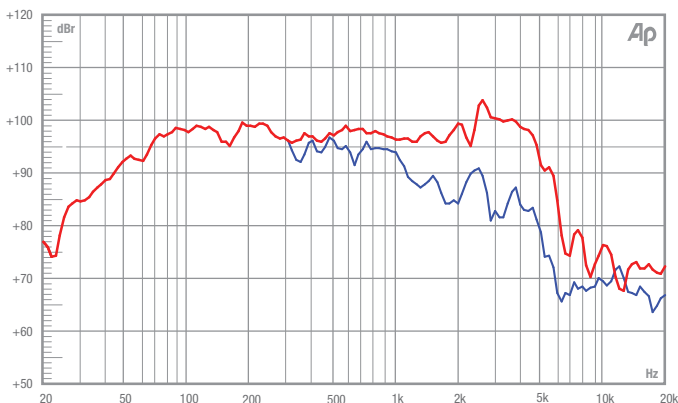
TECHNICAL & THIELE SMALL PARAMETERS

Fs	46 Hz
Re	5.75 Ω
Qms	5.2
Qes	0.375
Qts	0.35
Vas	114 Litres
Vd	0.24 Litres
Cms	0.278 mm/N
Bl	14.8 T/m
Mms	43 g
Xmax	4.5 mm
Sd	540 cm ²
Efficiency	2.89 %
Le (1k Hz)	1.64 mH
EBP	122.67 Hz
Effective Piston Diameter	10.31" / 261.87 mm
Rec. Enclosure Volume	0.88 - 2.83 ft ³ / 25 - 80 Litres

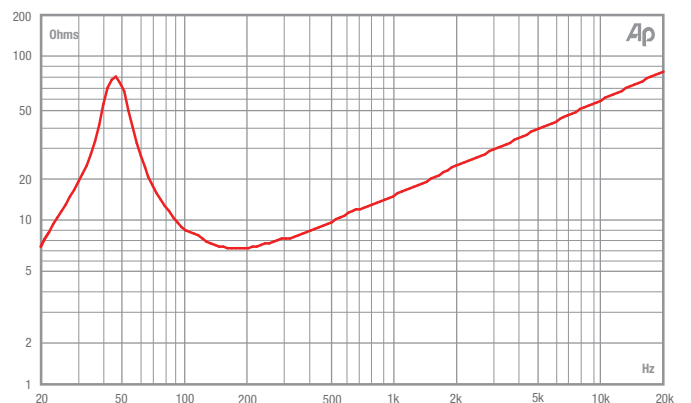
MOUNTING / SHIPPING INFORMATION

Overall Diameter	13" / 330.2 mm
Width Across Flats	12.19" / 309.62 mm
Depth	5.33" / 135.5 mm
Flange Height	0.305" / 7.8 mm
Baffle Hole Diameter F/M	11.03" / 280.16 mm
Baffle Hole Diameter R/M	10.13" / 257.30 mm
Chassis Material	Die-cast Aluminium
Gasket Supplied	Front & Rear
Outer Fixing Holes	4x ø 0.218" on 12.5" PCD / 4x ø 5.5 mm on 317.5 mm PCD
Inner Fixing Holes	N/A
Connectors ⁽⁴⁾	Push-button Spring Terminals
Weight	11.46 lb / 5.2 Kg
Shipping Weight	12.89 lb / 5.85 Kg
Packing Carton Dimensions (mm)	(W) 330 (D) 330 (H) 170

FREQUENCY RESPONSE DATA⁽³⁾



IMPEDANCE



(1) Please enquire about alternative impedances.

(2) A.E.S. power handling test. Pink noise bandpass filtered at 12 dB per octave with cutoff frequencies of 45 Hz and 450 Hz. Driver mounted in free air, test signal applied at rated power for two hours.

(3) Half space response measured in a 975 Litre sealed box. Blue line = fundamental 45° off-axis. Please note that the frequency response measurements are supplied for comparison only and are not a measure of the low frequency performance which may be achieved in a fully optimised system.

(4) Positive voltage at red terminal causes forward motion of cone.