

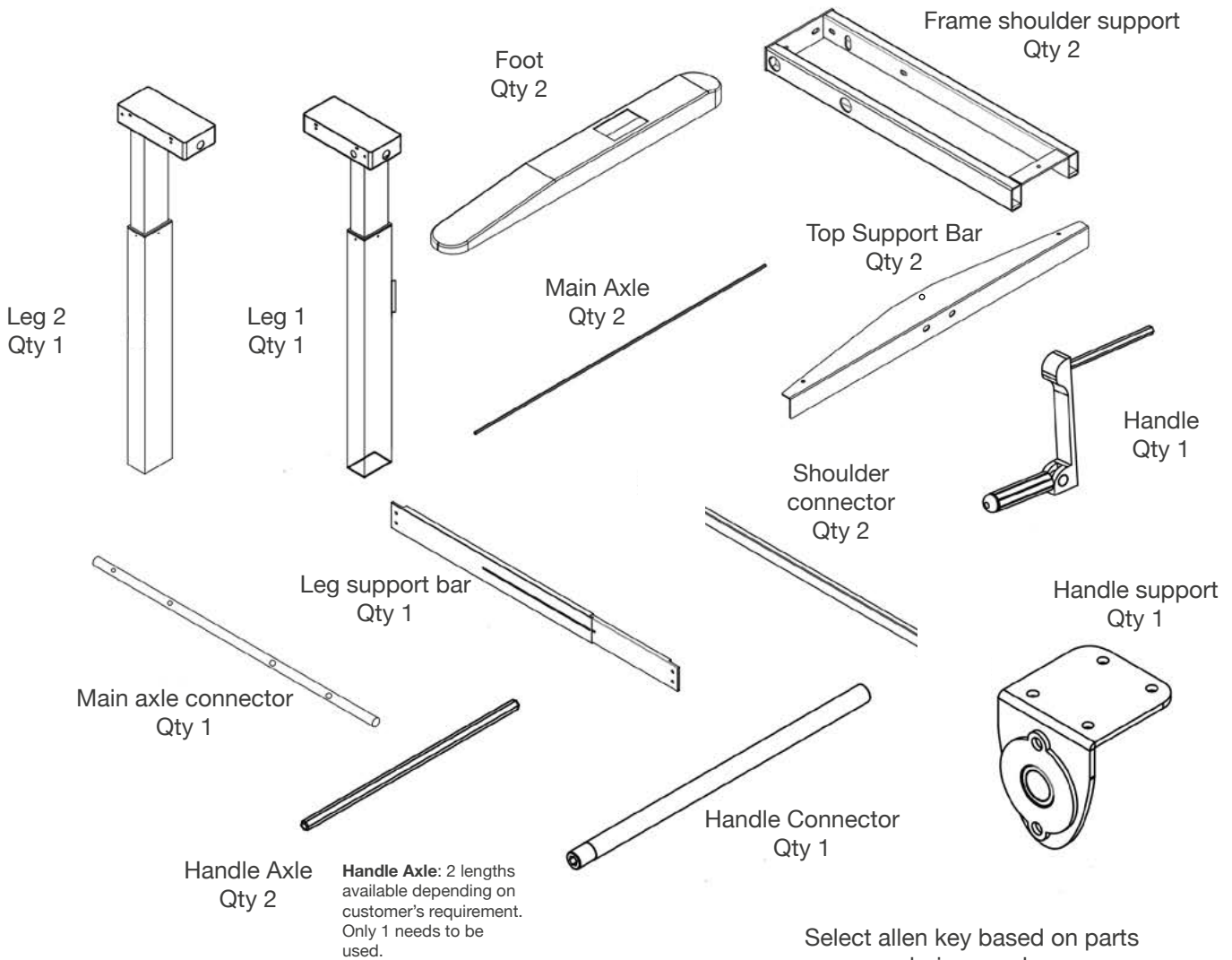
FURNA

HEMINGWAY MANUAL STANDING DESK



ASSEMBLY GUIDE
MODEL FNAHWYFRM

Parts List




Part F
 M4*20
 Quantity=12PCS


Part C
 M8*10
 Quantity=4PCS


Part D
 M6
 Quantity=2PCS


Part E
 M5*6
 Quantity=6PCS

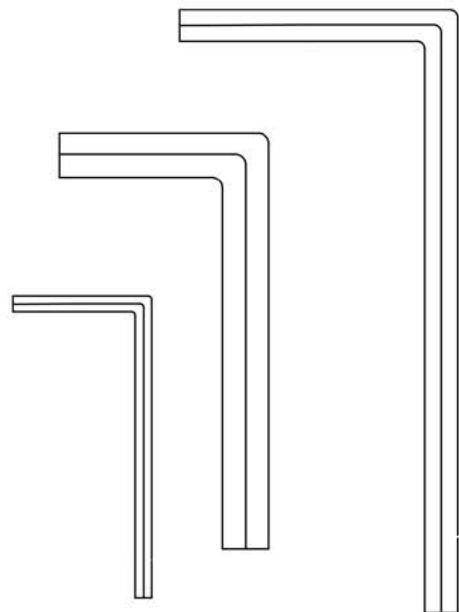

Foot stability pad
 Qty 4

Note: Foot stability pads may already be connected to feet.


Part A
 M6*16
 Quantity=26PCS


Part B
 M6*10
 Quantity=8PCS

Select allen key based on parts being used.



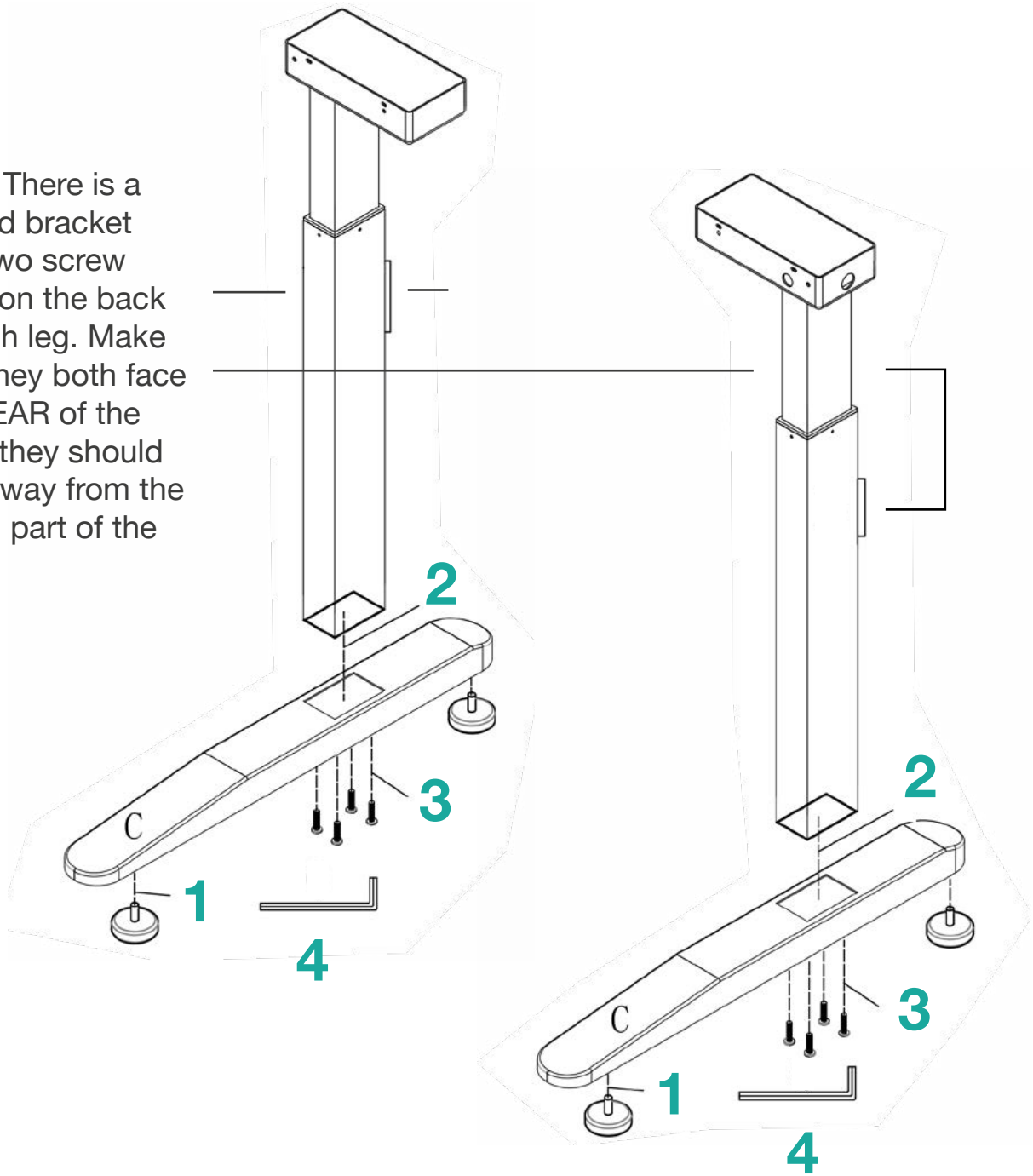
Extra parts are sometimes included and can be kept as spares.

1 Installation of legs and feet

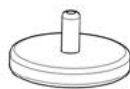


Erection Sequence: 1,2,3,4

Note: There is a welded bracket with two screw holes on the back of each leg. Make sure they both face the REAR of the desk (they should face away from the “long” part of the feet).



Parts used:



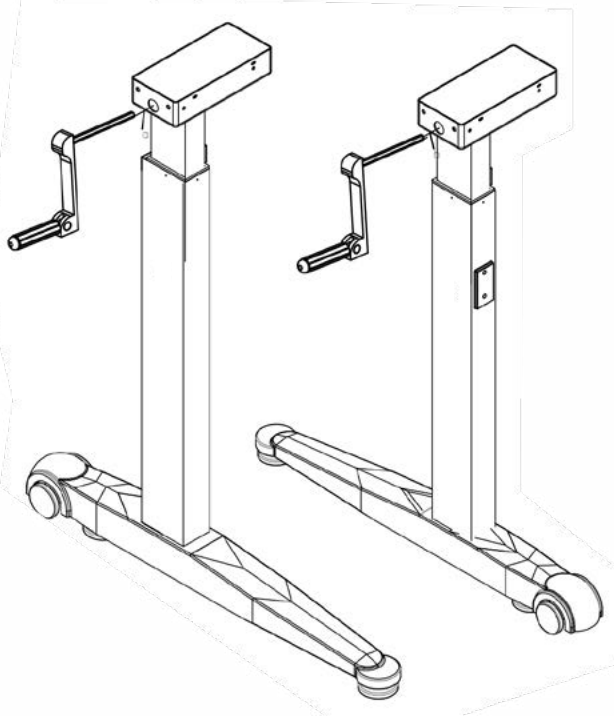
Foot stability pad
Qty x 4



Part A
Qty x 8

FURNA

2 Installation preparation: Lower legs to minimum height

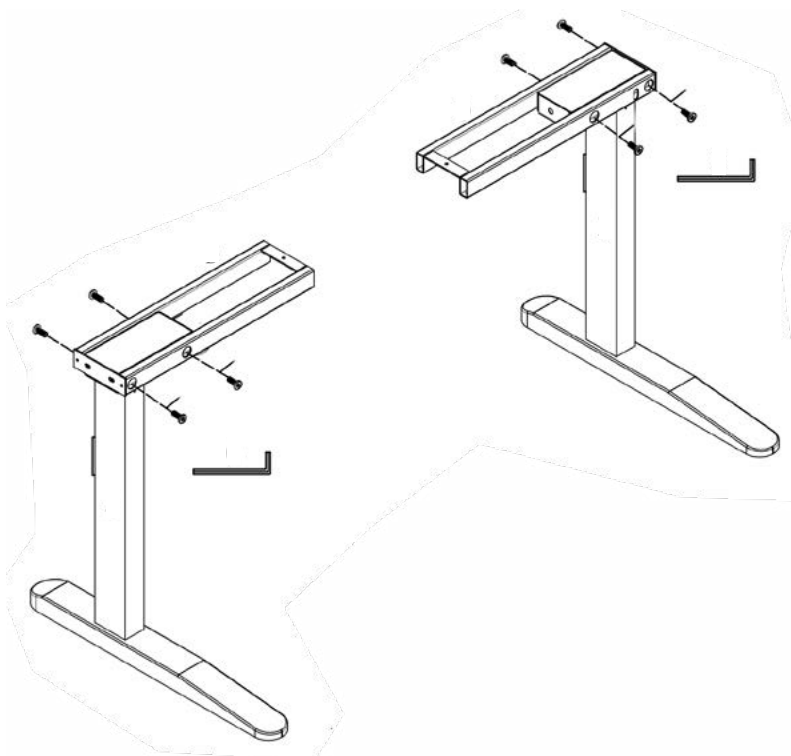


Use the crank handle (J) to insert directly in to the heads of the two legs to wind them down to their lowest position. Do not wind hard, just until there is resistance meaning they are at the bottom. **NOTE:** Remove handle after this is done, as it will be installed elsewhere in a later step.



Handle
Qty x 1

3 Frame mount installation:



Connect the Frame shoulder support to the top of each leg as shown in picture. You will need to use 4 x bolt A to do this for each leg. **NOTE:** only connect on the sides, not the ends.”

Parts used:

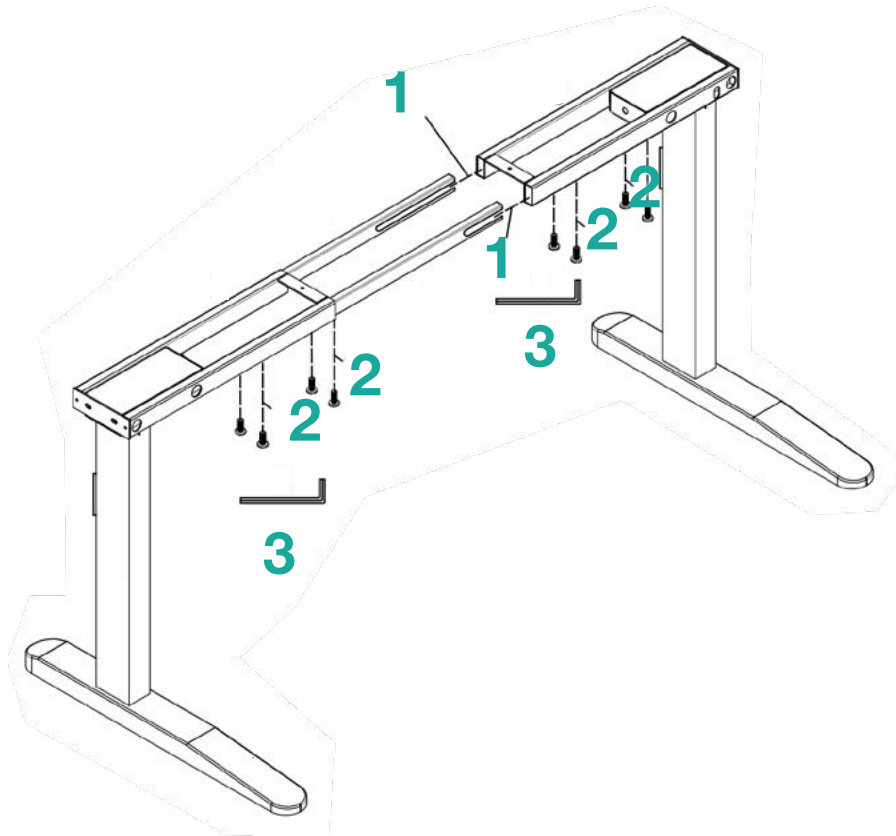


Part A
Qtyx8

4 Cross beam installation

FURNA

Erection Sequence: 1,2,3



Insert the shoulder connector to connect both sides of the desk frame as shown in picture. Use 8 x bolts (B) and secure loosely in place. Do not tighten at this stage.

Note: Disregard any small round hole drilled into Part(s) K. These are not used during assembly.

Note: Part B bolts are only used to make the frame rigid. They do not screw into the shoulder connector bars, they only push against them.

Parts used:

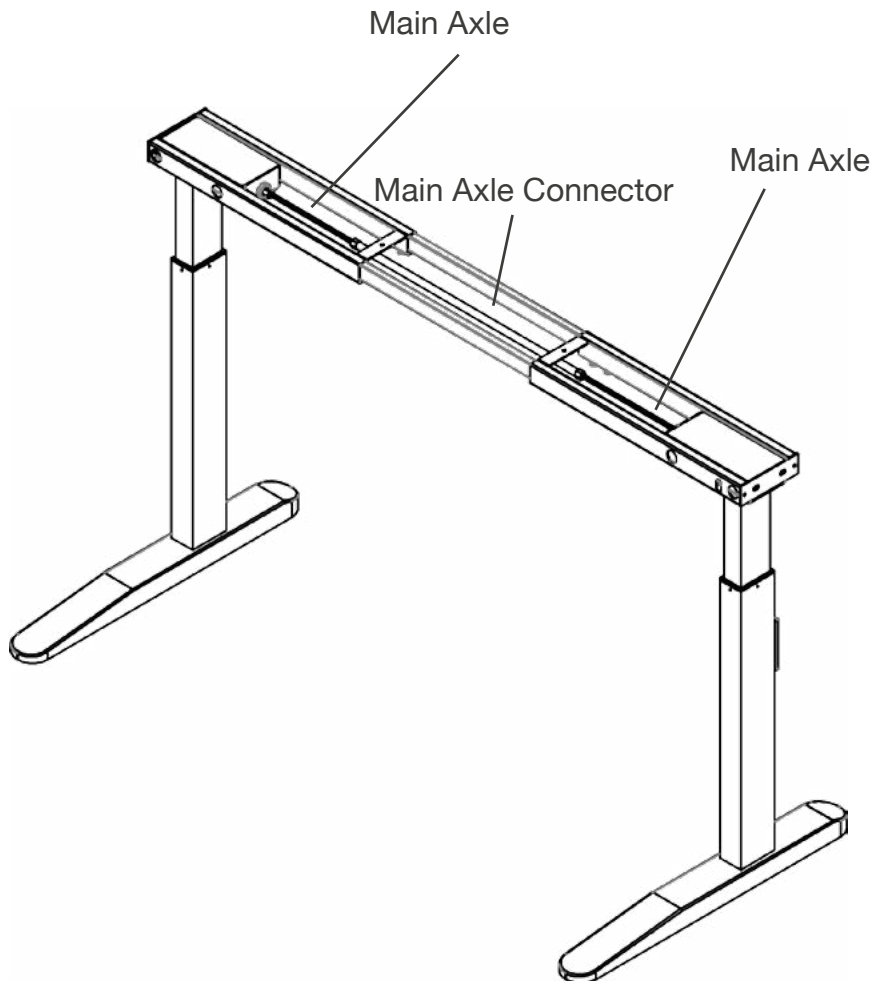


Part B
Qtyx8

5 Axle installation



Insert 1 Main Axle on each end of the Main Axle Connector



Insert in to the frame as shown in picture. Each end of the Main Axle should be inserted through the crank mechanism(s) in the top of each leg.

Open the black plastic leg/mechanism cap to make sure they connect to the mechanism inside properly, then tighten the black screws on the Main Axle Connector to keep it in place

Parts used:

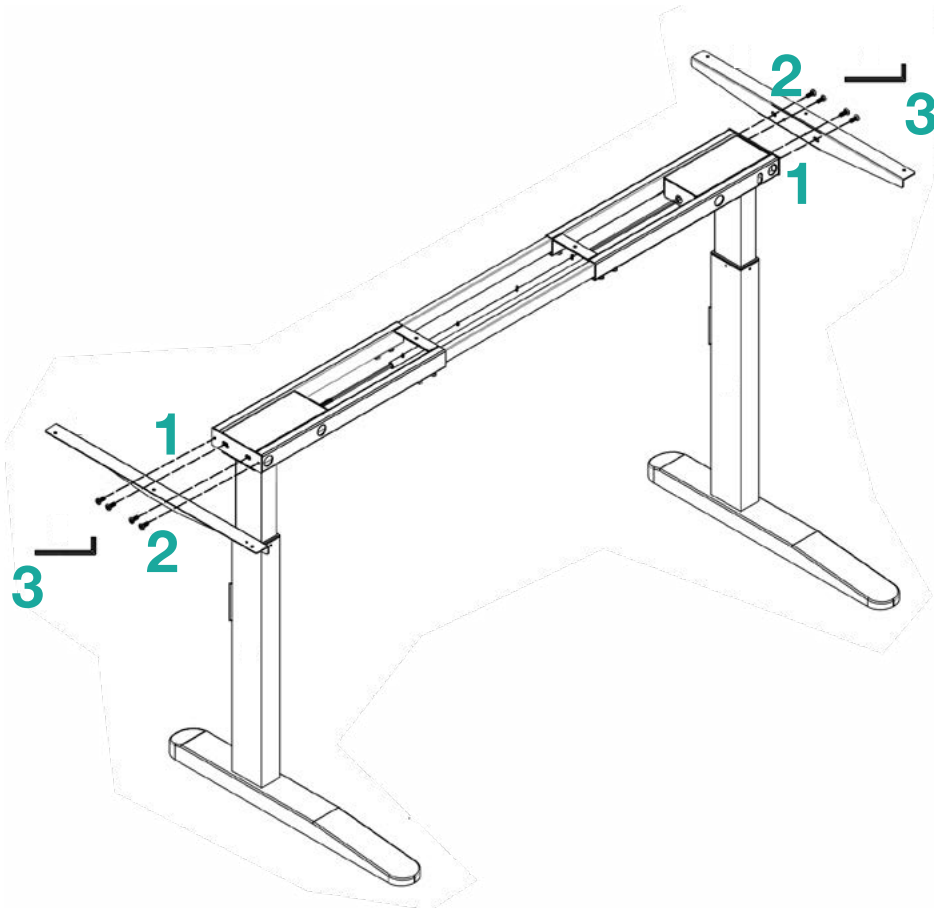


Part E
Qtyx4

6 Desk top mounting rails

FURNA

Erection Sequence: 1,2,3



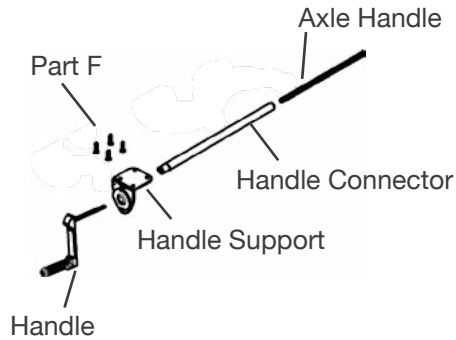
Take both Top Support Bars and mount on each end of the frame as shown in picture, using 4 x A bolts on each one. **NOTE:** Make sure that the 3 holes are facing upwards and outwards from the frame. These 3 holes are used to mount the table top.

Parts used:



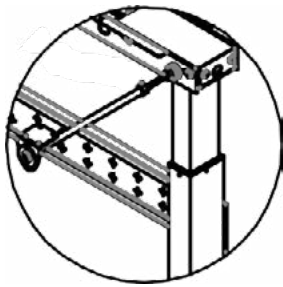
A
Qtyx8

7 Crank handle installation



The crank handle will now be installed on the right hand leg. First, assemble the parts needed as shown in the picture.

Part N: 2 lengths available depending on customer's requirement. Only 1 needs to be used.



Insert in to the opening in the top of the right hand side leg, and tighten the small black screws in the handle connector when position is set. **NOTE:** Before tightening screw, make sure that the handle is out far enough so that it can turn when folded out from under the desk top.

Use 4 x Part F screw to drill the handle mount in to place on the under side of desk top

Parts used
 Handle
 Handle Axle,
 Handle Connector,
 Handle Support



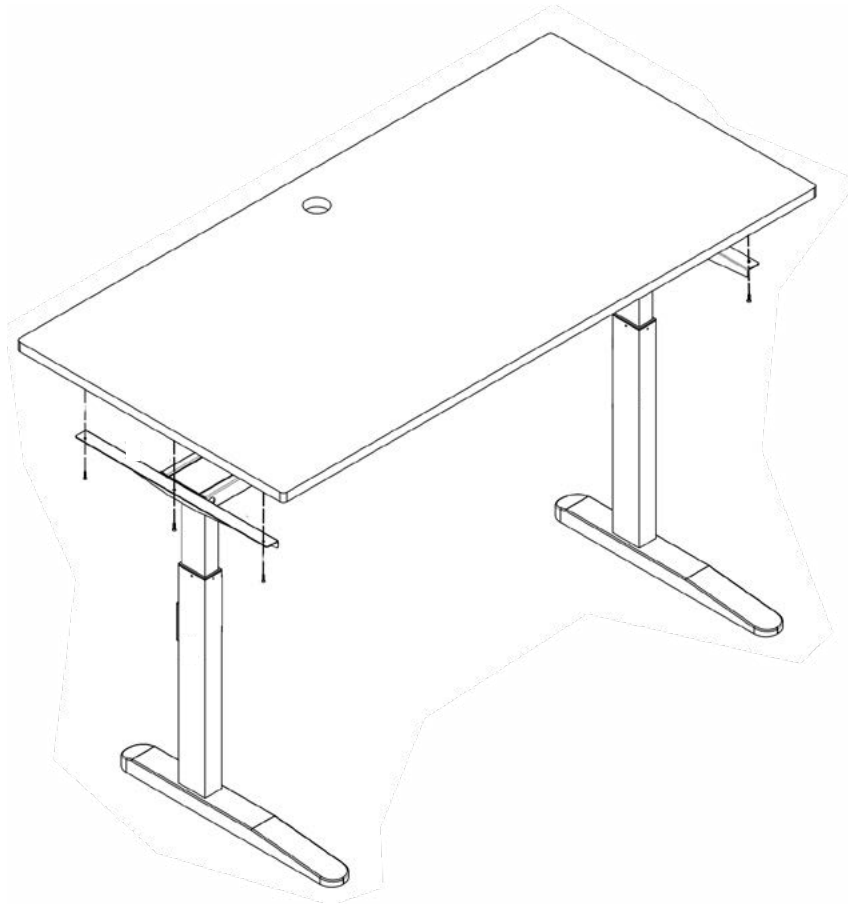
Fx4



Ex2

8 Desk top installation

FURNA



NOTE: Turn the desk top upside down and lay flat on the floor, and put the frame on upside down on top of it for this part.

If there are 6 x pre-drilled holes on the under side of desk top, you will need to line up the frame to the same width as the holes on each side, and attach using 6 x F bolts.

If you received a Furna table top without predrilled holes, you will have 6 extra wood tapping screws that can easily be drilled in to attach the desk top. In this case, set the frame width to your chosen setting (near to the edges of the table top).

Parts used:

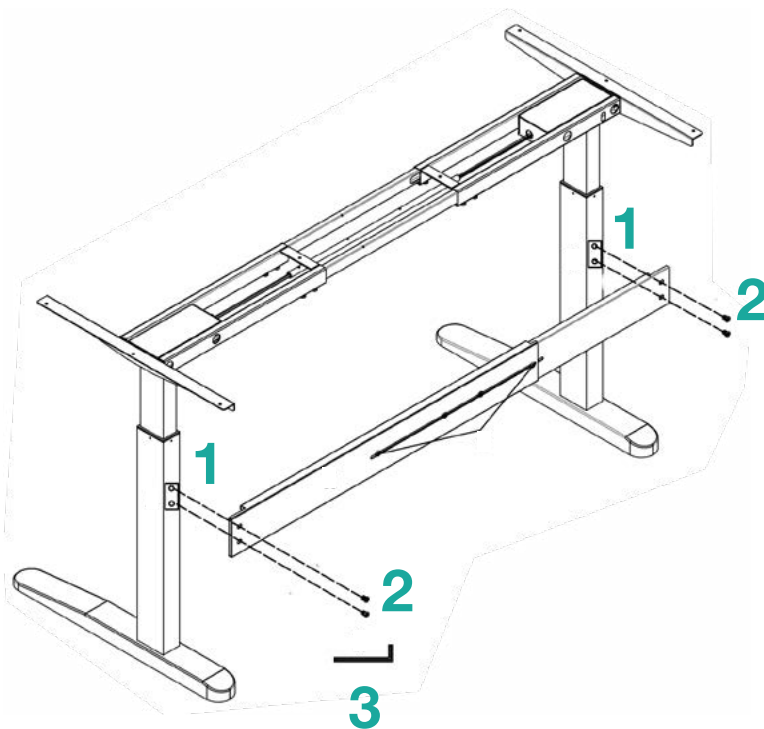


F
Qtyx6

9 Optional horizontal stability bar

FURNA

Erection Sequence: 1,2,3



NOTE: This is an optional addition to increase stability where needed. You can do this as the very last step if you choose to.

Take the Leg Support Bar (two pieces of metal that slide together), and insert 2 x A bolts through the middle cutout, then fix them in place loosely using 2 x D (wing nut). Attach the stability bar to the mounts on the desk legs as shown in the picture. Lastly, tighten the screws & wing nuts on the middle of the bar to hold it tight for stability.

Parts used:



Ax2



Cx4



Dx2



Need help?

Get in touch my emailing contact@furna.co.uk or
by using our Live Chat feature on our website!