

FURNA

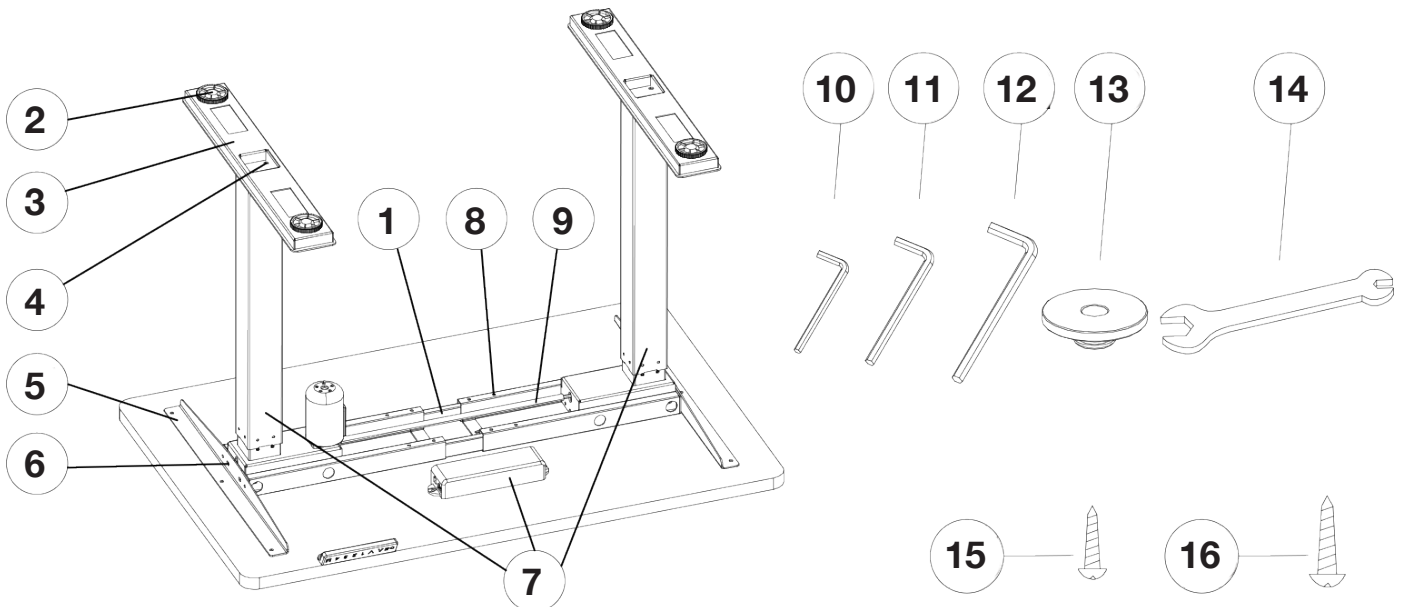
FURNA E1

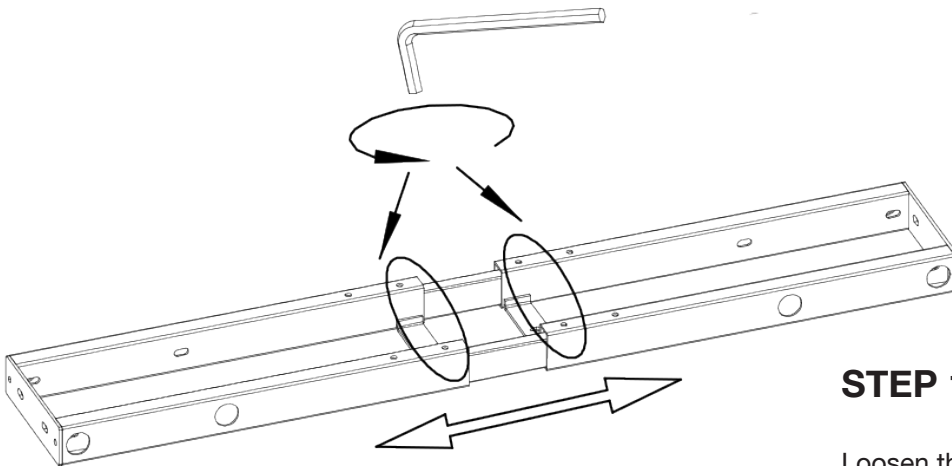


**ASSEMBLY GUIDE
MODEL FNAE1FRM18XXX**

PARTS & TOOLS LIST

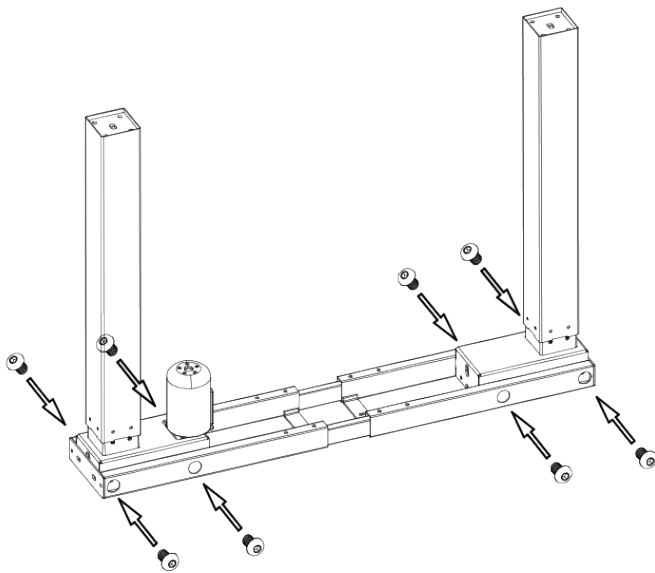
NO	Name	Qty	NO	Name	Qty
1	Support Beam	1	9	Axle	1set
2	Foot Pad	4	10	2.5mm Hex Spanner	1
3	Foot Margin	2	11	4mm Hex Spanner	1
4	M8x16 Screw	8	12	5mm Hex Spanner	1
5	Bracket	2	13	Rubber Cushion	8
6	M6x14 Screw	16	14	Spanner	1
7	Lifting System	1set	15	ST3 5x19 Screw	2
8	M8x14 Screw	16	16	ST4 8x19 Screw	10



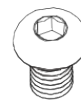


STEP 1

Loosen the 4 screws using the hex spanner, so the frame can adjust to the desk top size as/when needed



4mm Hex spanner

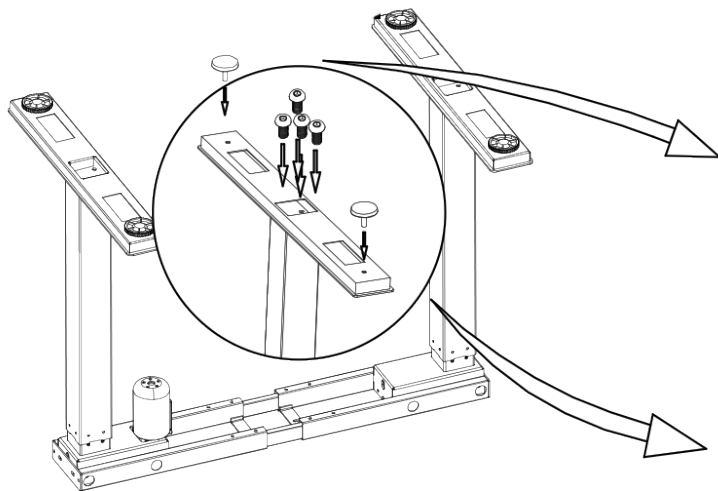


M6x14 8pcs

STEP 2

Attach legs to the support beams using the parts shown

3



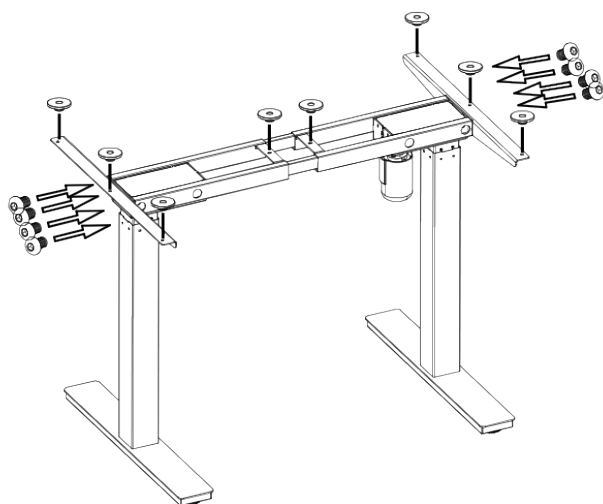
4mm Hex spanner

8x16 screw 8pcs

Foot pad 4pcs

STEP 3

Attach the feet and then the foot levelling pads



4mm Hex spanner

Rubber Cushion 6pcs

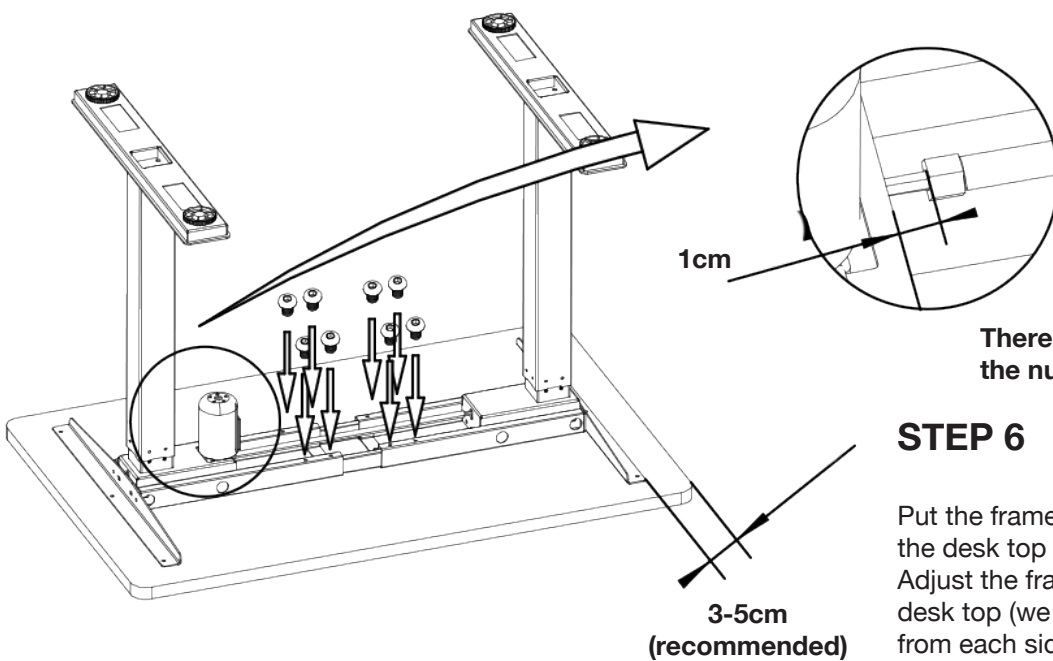
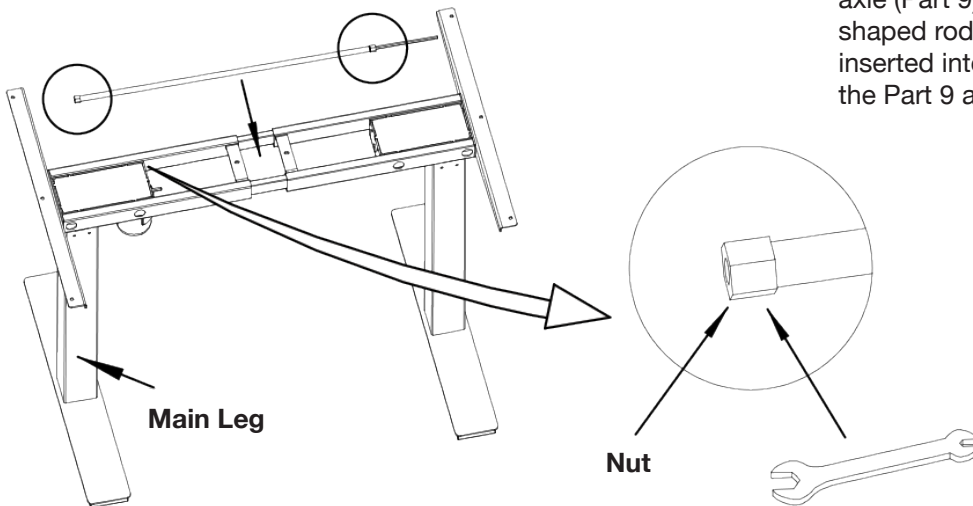
6x12 screw 4pcs

STEP 4

Switch the frame to the upright position and attach the top support brackets

STEP 5

Loosen the nut on each end of the axle (Part 9) and insert the inner hex-shaped rods into both legs. Once fully inserted into both, tighten the nuts on the Part 9 axle

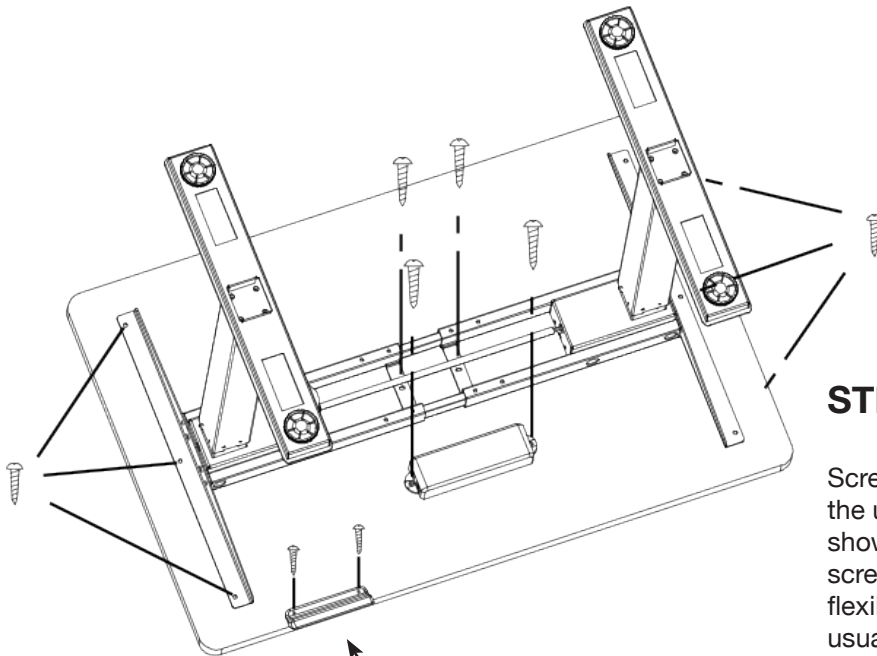


There is a 1cm gap between the nut and metal plate.

STEP 6

Put the frame upside down onto the desk top in a centered position. Adjust the frame width to suit the desk top (we suggest around 5cm from each side)

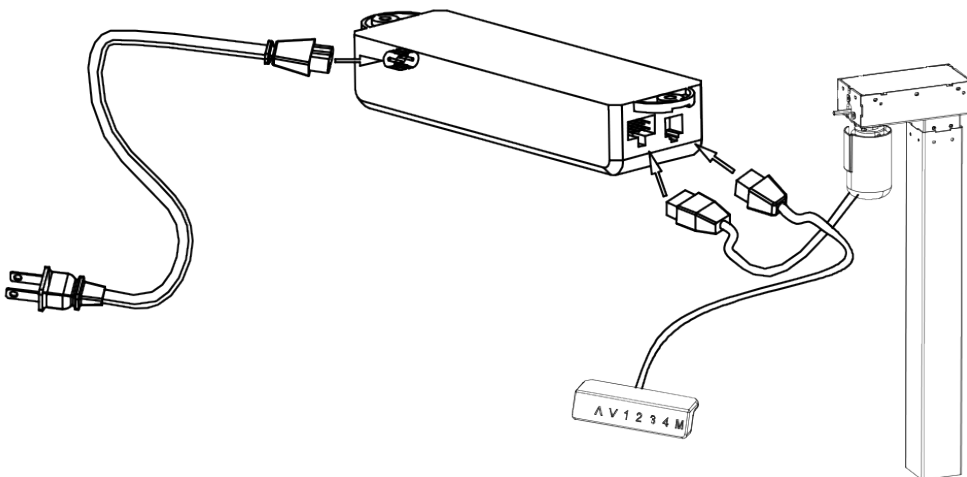
Once in position, tighten the M6x10 screws (Part 8) to set the frame width



STEP 7

Screw in the frame and control box to the under side of the desk top as shown using Part 16 (larger) wood screws. Position of control box is flexible based on preference though usually goes in the position shown, or further towards the back of the desk (when standing upright)

Once in position, tighten the M6x10 screws to set the frame width and screw in the control panel on the front, under side of the desk top using Part 15 wood screws



STEP 8

Make sure all screws and bolts are tight, then plug in cables as shown and your desk is ready to be used!



Need help?

Get in touch by emailing contact@furna.co.uk or
by using our Live Chat feature on our website!