









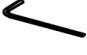


# FURNA

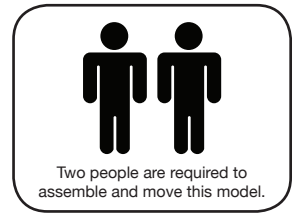
## FURNA E-TOP



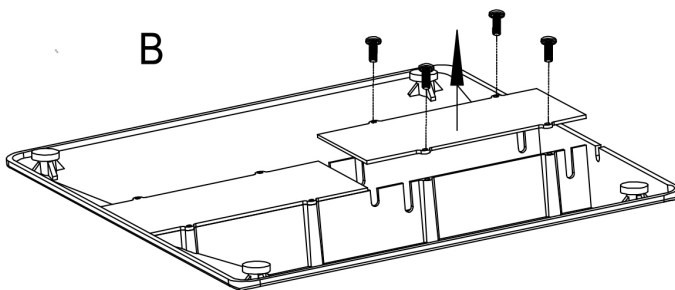
ASSEMBLY GUIDE

A  1 Pc	B  1 Pc	C  1 Pc	D  1 Pc	E  1 Pc
F  M6 x 10 18 Pc	G  M5 x 8 4 Pc	H  1 Pc	I  4 Pc	J  3 mm 1 Pc
K  4 mm				

# FURNA

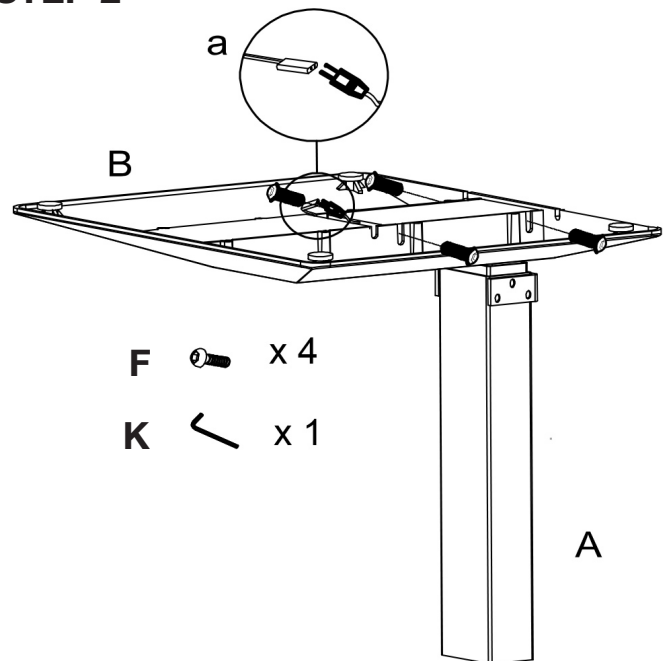


## STEP 1



Unscrew 4 screws to take off cap.

## STEP 2



Insert main column (Part A) through Part B (base)

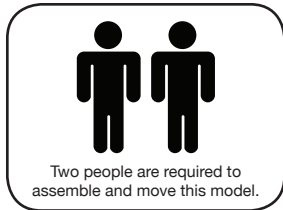
Use 4 screws (Part F) on each and tighten loosely at the points shown to attach the central column to the base.

Connect the two wires as shown in the top of the picture. Fold wires to hide in the space provided.

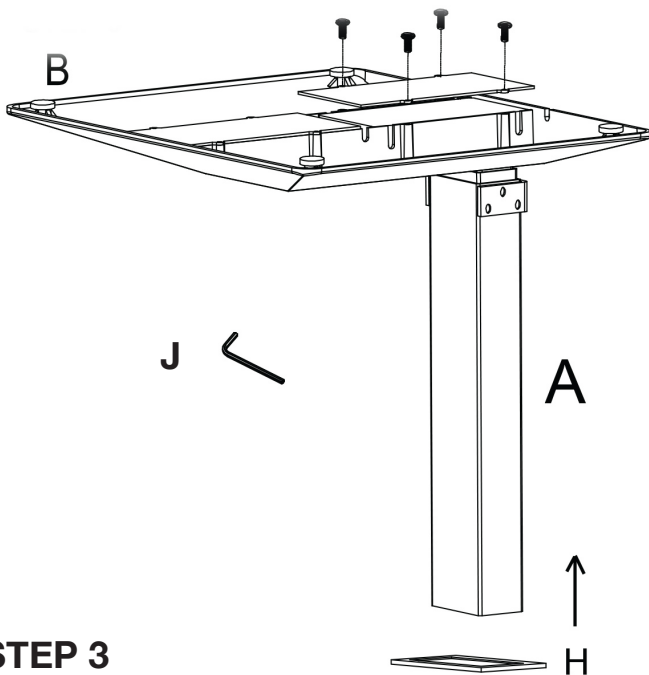
## IMPORTANT NOTE:

Don't tighten all screws/bolts until all the pieces are completely assembled or once otherwise instructed to.

It is recommended that 2 people work together to complete this assembly most effective!

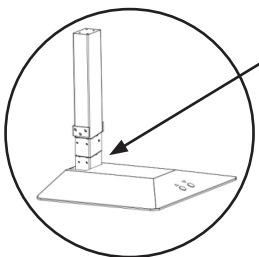


**FURNA**

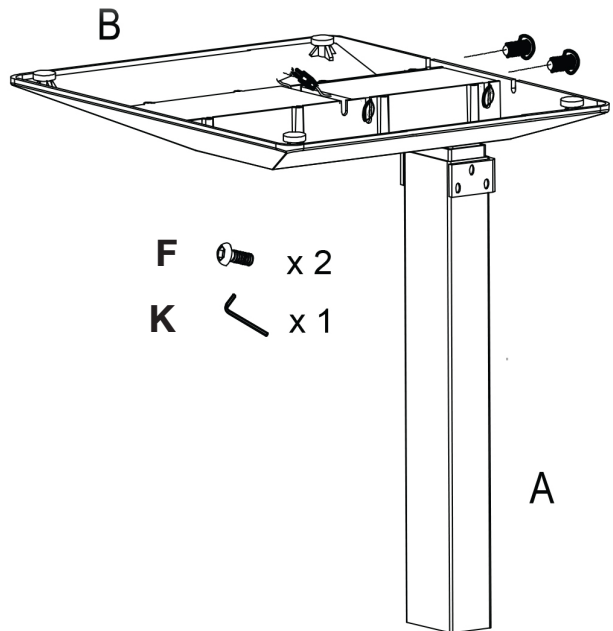


**STEP 3**

Assemble the bottom cover (Refer to Step 1)



Insert Part H in place around the main column where it meets the base (Part B).



**STEP 4**

Use 2 x screws (Part F) on each to secure Part A main column at the rear. Then fully tighten all 6 screw positions (including the first 4 screws from Step 2).

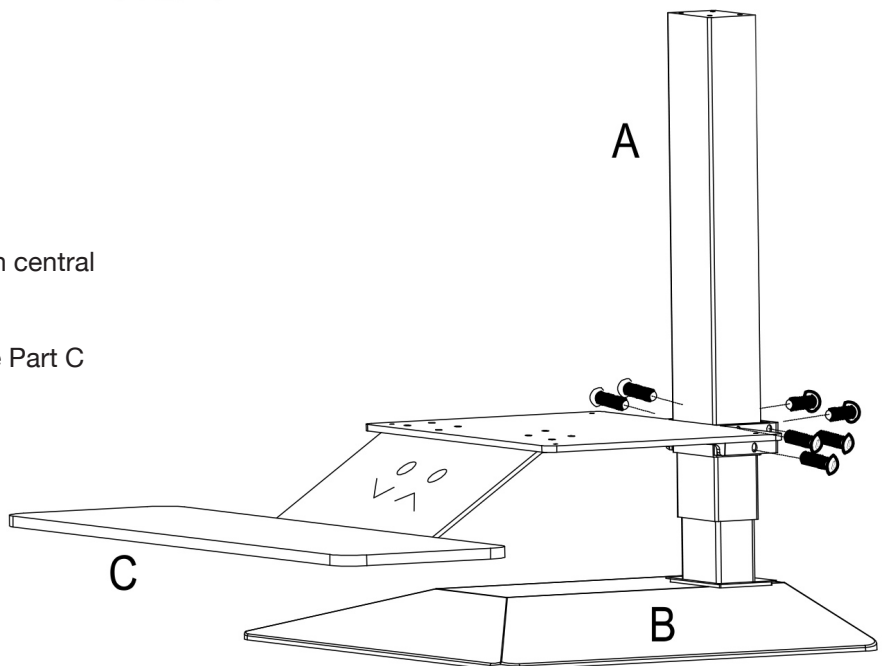
- F  x 2
- K  x 1

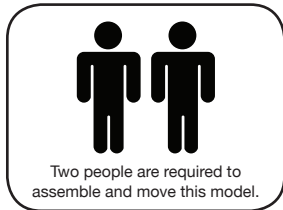
**STEP 5**

Place keyboard panel (Part C) through central column.

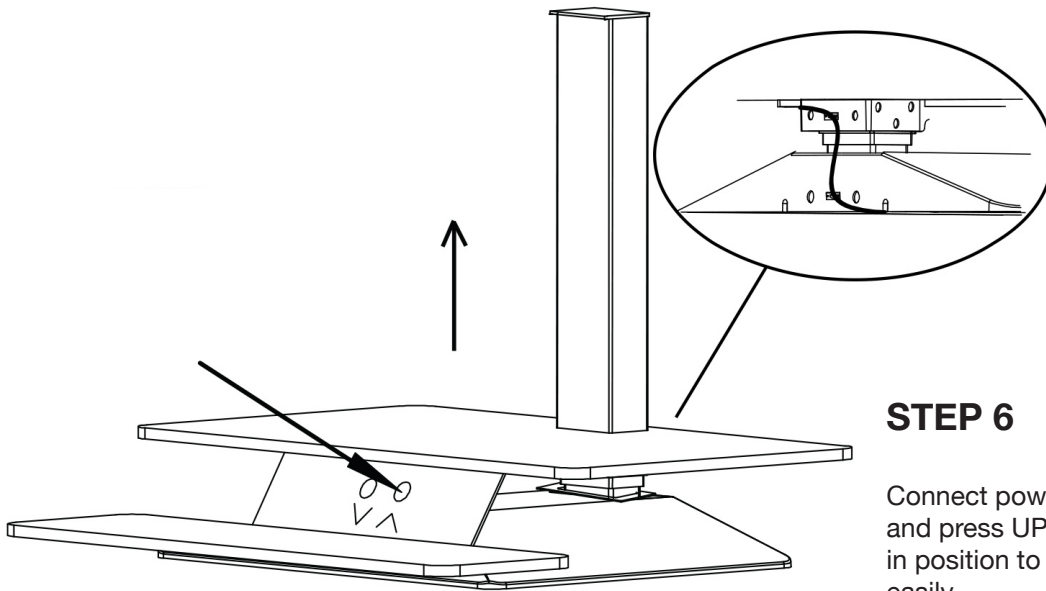
Screw in 8 x screws (Part F) to secure Part C on to the main column.

- F  x 8
- K  x 1



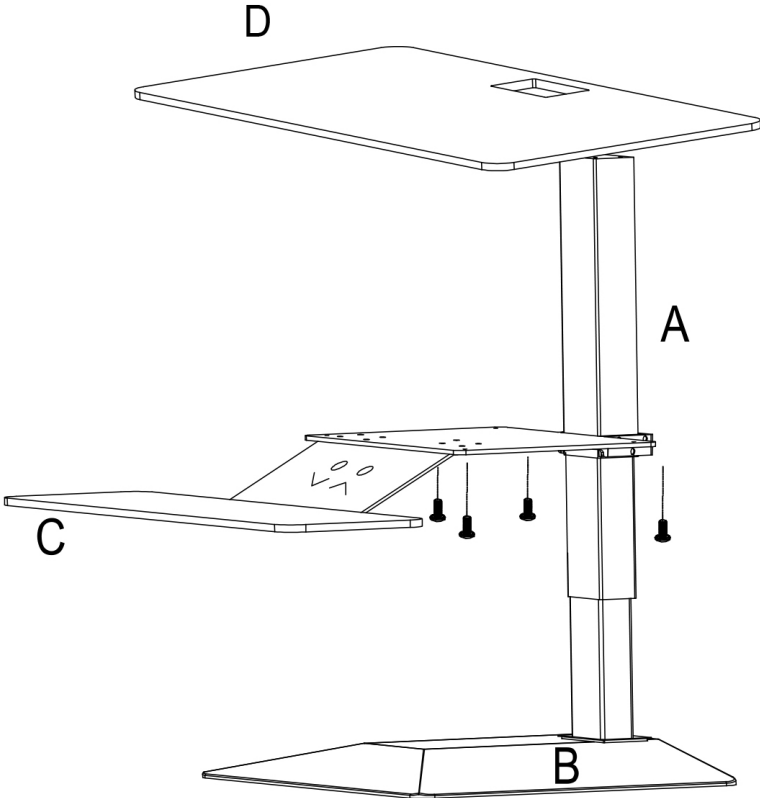


**FURNA**



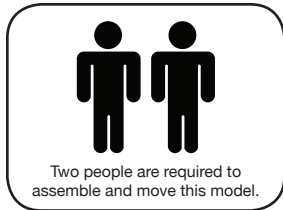
**STEP 6**

Connect power cable to power source and press UP button to put the E-Top in position to complete Step 7 more easily.

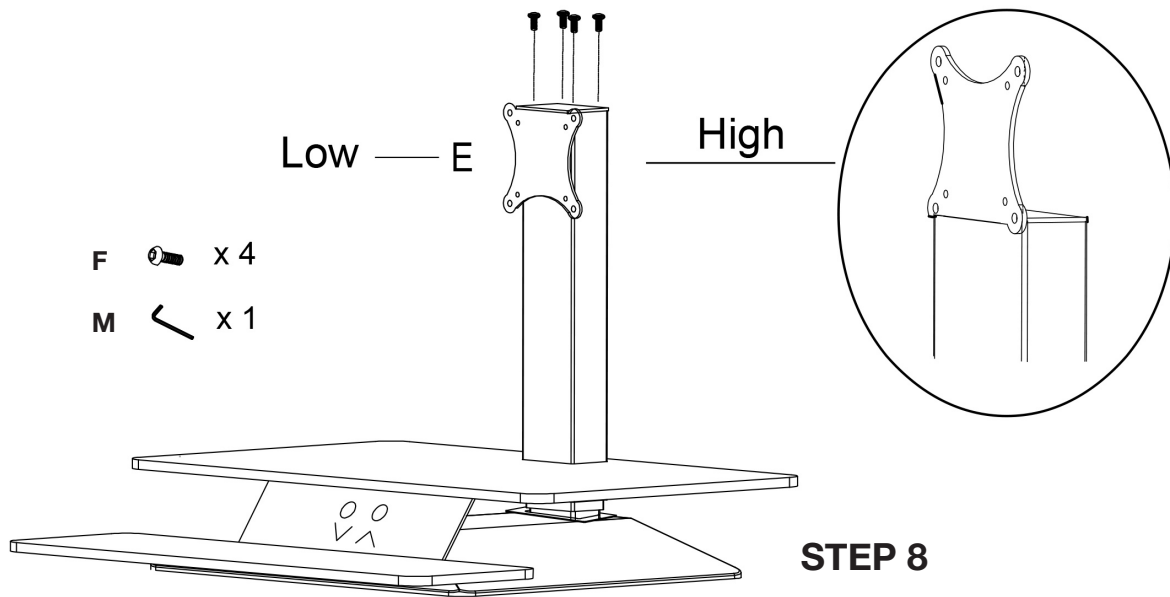


**STEP 7**

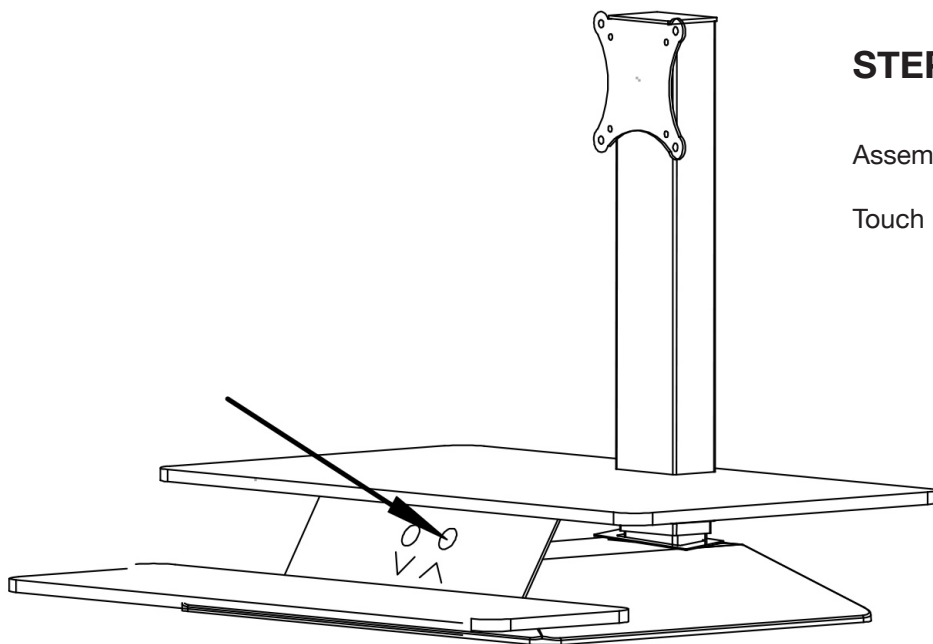
Use 4 x Part G screws to secure the desk top in place.



**FURNA**



Part E (VESA monitor mount) can be assembled facing up or down for increased height range.



Assembly complete.

Touch ^ and v button to adjust height.



## **Need help?**

Get in touch by emailing [contact@furna.co.uk](mailto:contact@furna.co.uk) or  
by using our Live Chat feature on our website!