

# FURNA

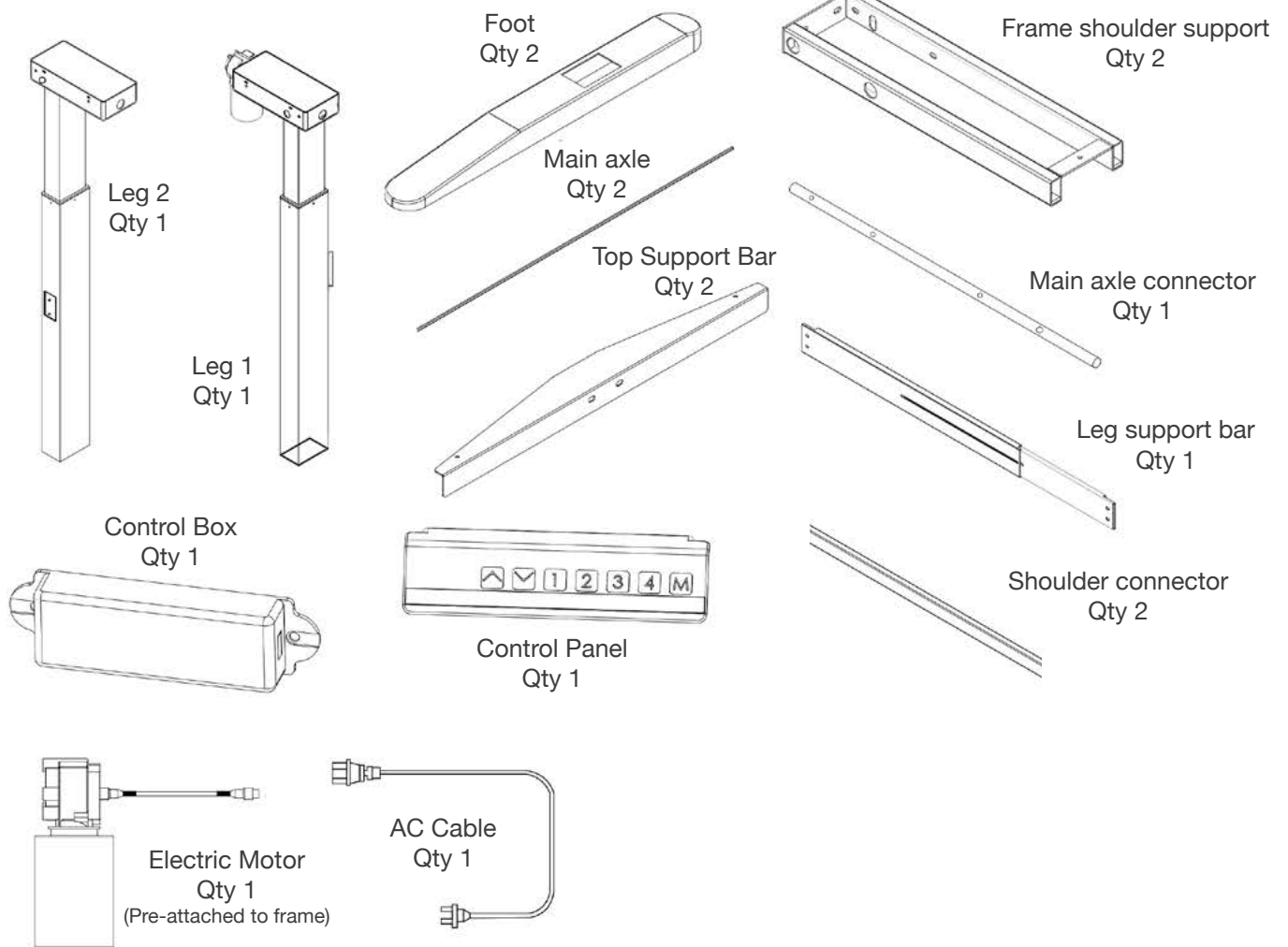
## E1

# Electric Standing Desk

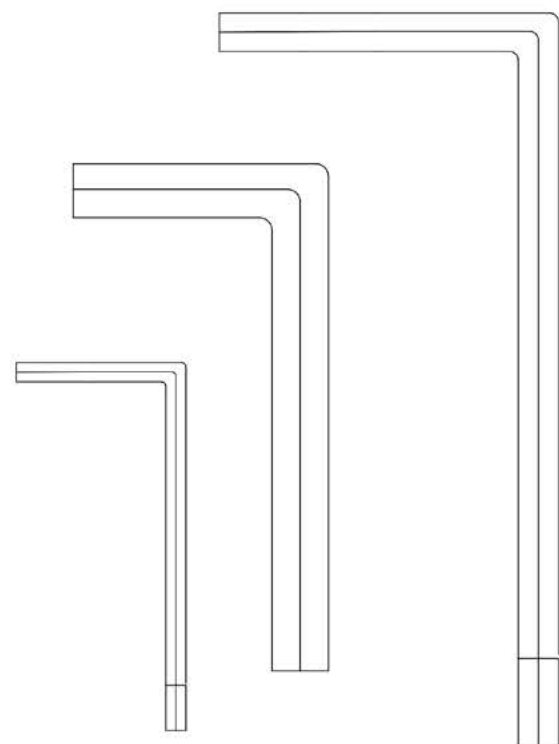
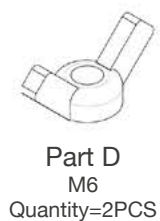
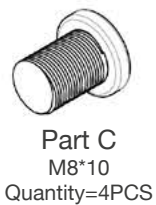
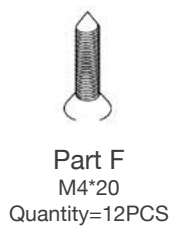


**ASSEMBLY GUIDE**  
**MODEL FNAE1FRMXXX3**

# Parts List



Select allen key based on parts being used.



Extra parts are sometimes included and can be kept as spares.

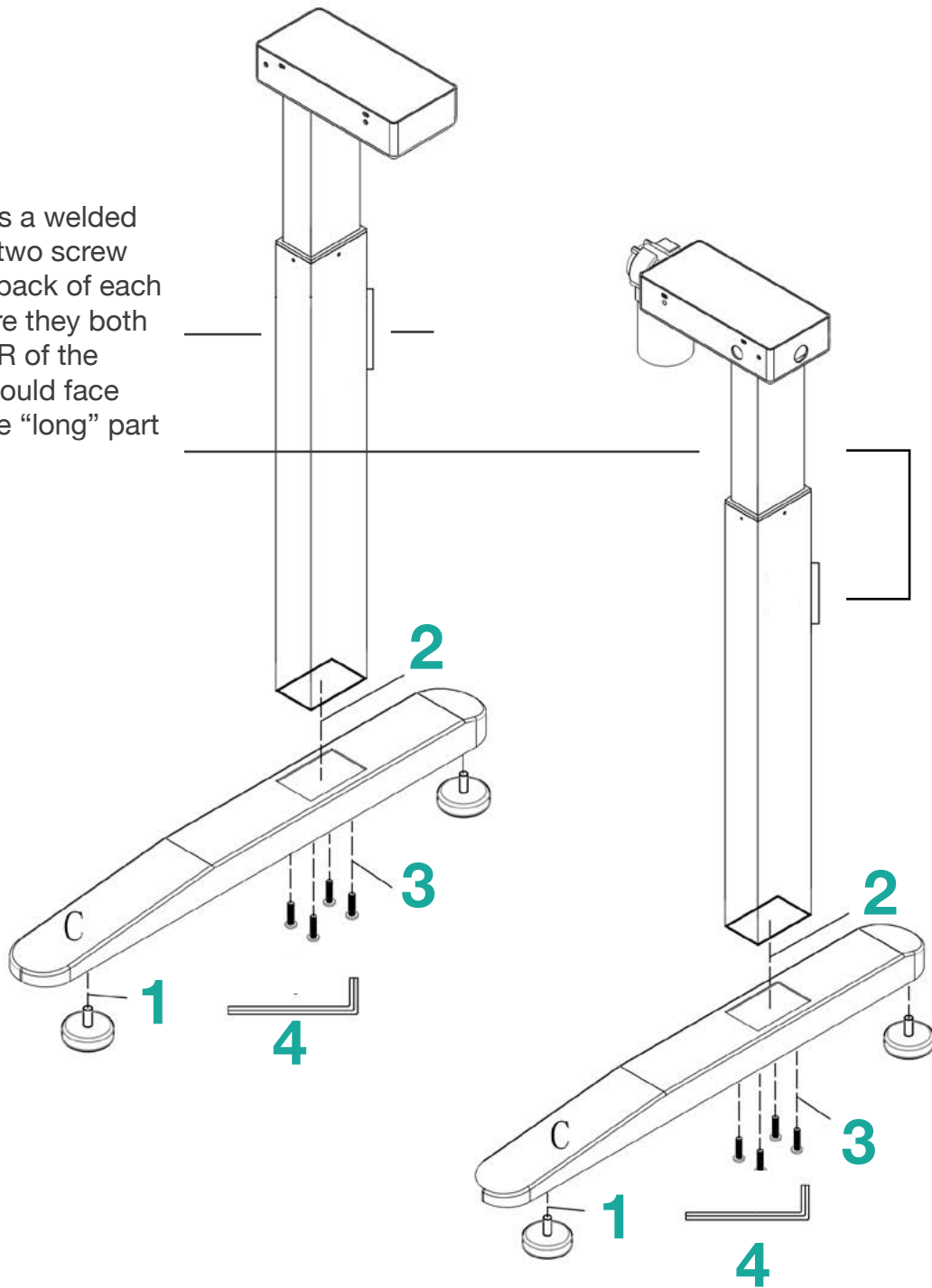
**Note:** Foot stability pads may already be connected to feet.


# 1 Installation of legs and feet



Erection Sequence: 1,2,3,4

**Note:** There is a welded bracket with two screw holes on the back of each leg. Make sure they both face the REAR of the desk (they should face away from the “long” part of the feet).



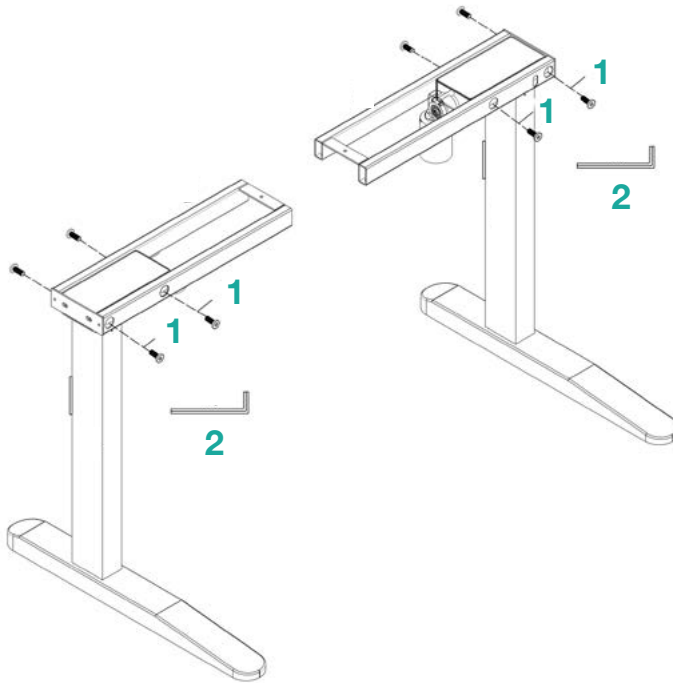
Parts used:  
  
Foot stability pad  
Qty x 4

  
A  
Qty x 8



## 2 Frame assembly Part One

Erection Sequence: 1,2



Connect both frame shoulder supports to the desk legs Parts 1 & 2 as shown in picture.

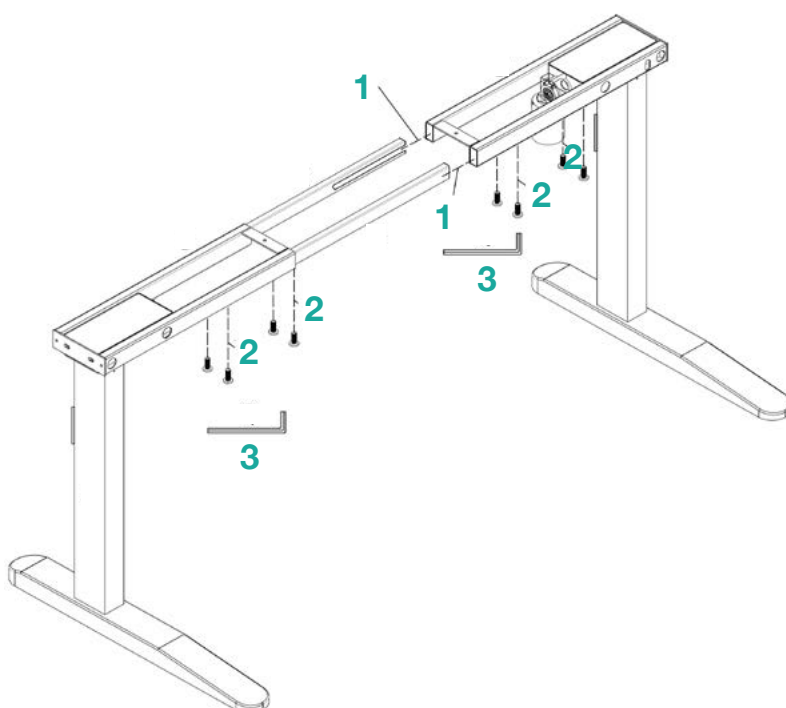
Use Part A (M6 X 15MM bolts) and loosely tighten in place.

Parts used:



## 3 Frame assembly Part Two

Erection Sequence: 1,2, 3



Slide the shoulder connectors inside each of the frame shoulder supports on the frame as shown in the picture.

**Note:** The shoulder connector may already be sitting inside the shoulder support when you open the packaging.

Make sure the shoulder connectors are centred, and then loosely screw in B bolts (M6 X 10MM) to hold the connectors in place.

Parts used:

Leg 1

Leg 2

Frame Shoulder Supports  
Shoulder Connectors

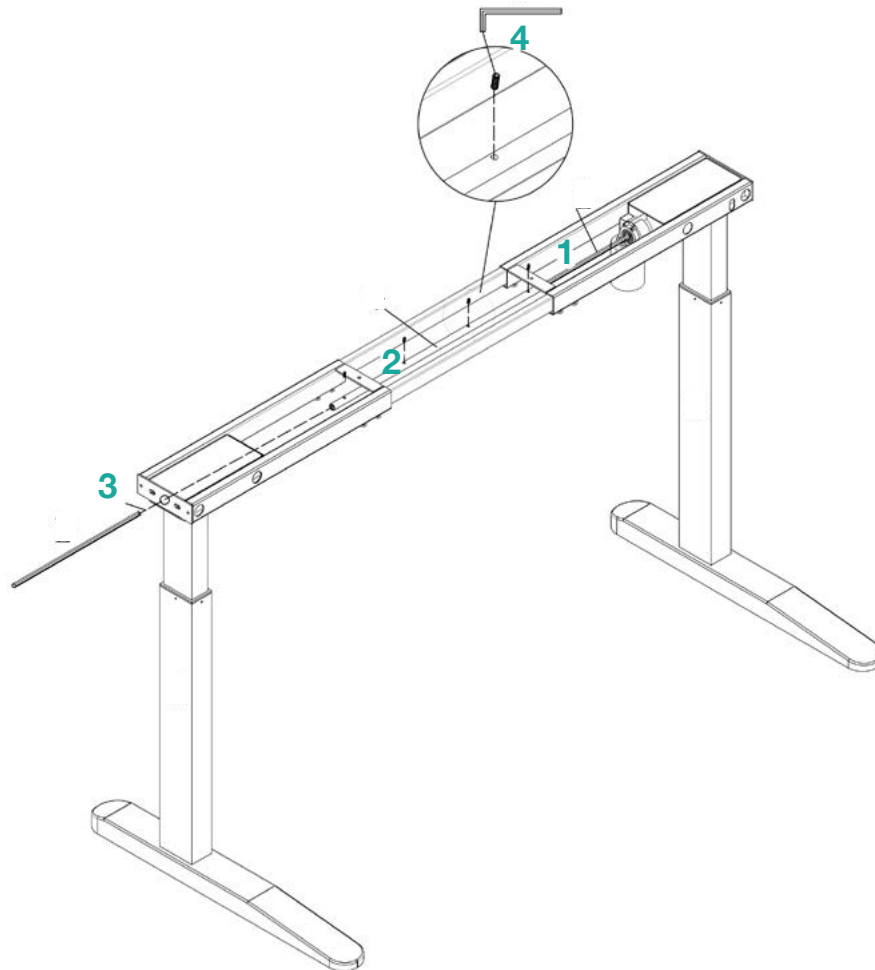


Part B  
Qtyx8

## 4 Axle assembly

# FURNA

Erection Sequence: 1,2,3,4



Change to: Slide the two main axle bars part way into each end of the main axle connector tube. Then, position the full (3 parts) axle between the two legs and thread the axles through the gear mechanism in each leg. The right hand side will also pass through the motor.

Screw in Parts E (small black slug screws) using the smallest allen key once the axle bars have linked each leg mechanism.

**Note:** Do not fully tighten until you have set your preferred frame width (based on the size of your chosen desk top).

Parts used:

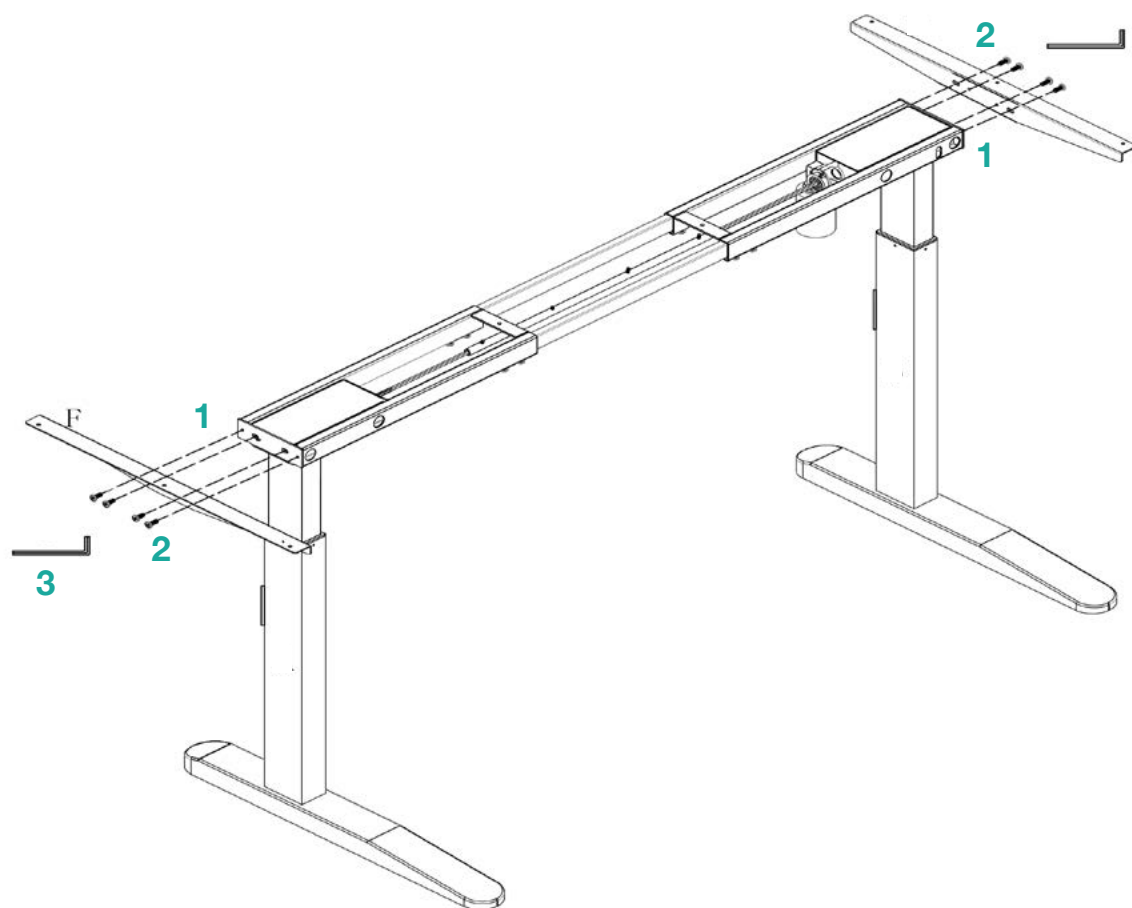


E  
Qtyx4

# 5 Desk top supports assembly



Erection Sequence: 1,2,3



Attach both Top support Bars (desk top supports) to each end of the desk frame using Part A bolts and then tighten.

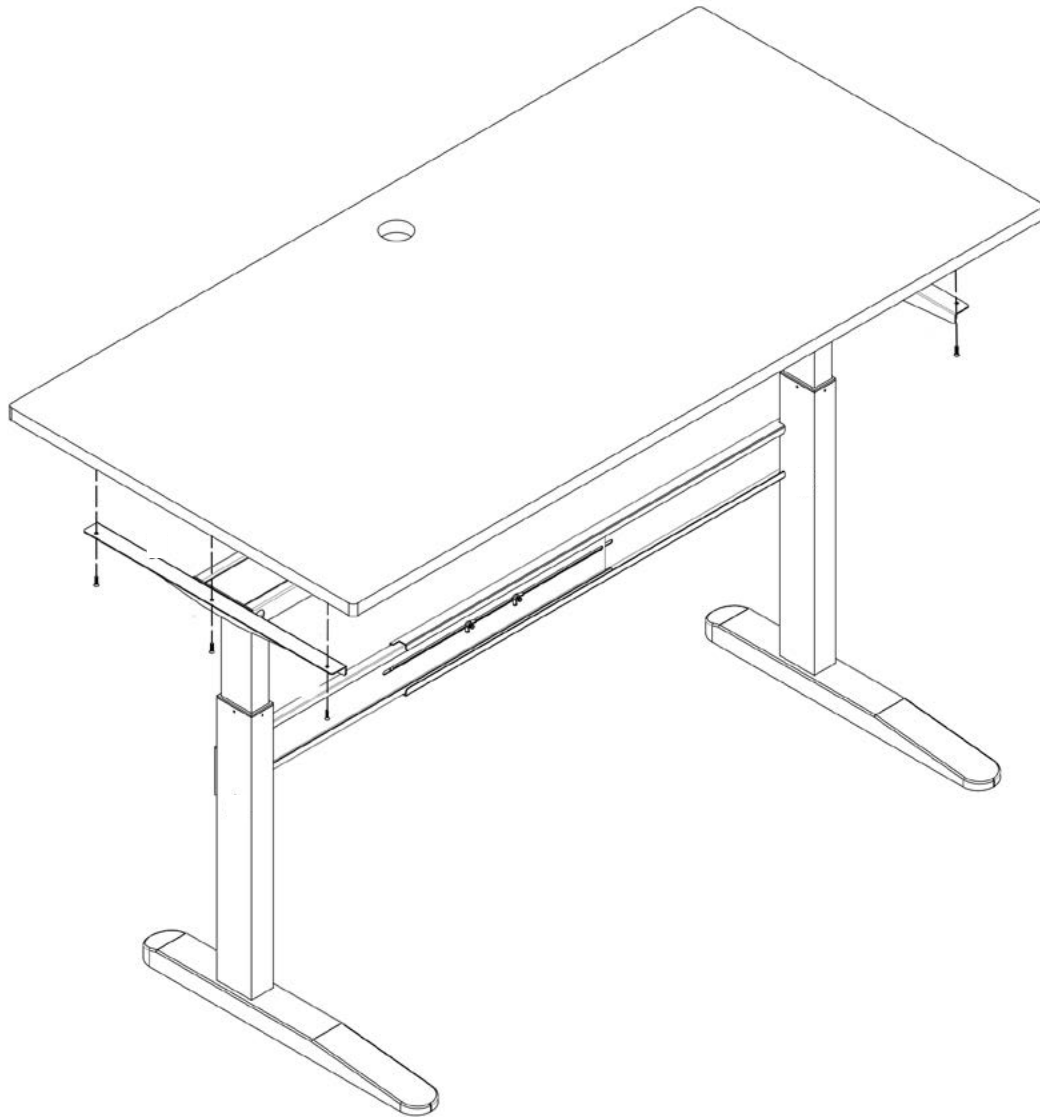
Part used: Top support bars



A  
Qtyx8

## 6 Desk top attachment

FURNA



Turn the desk top upside down and lay flat on the floor, and put the frame on upside down on top of it for this part. Set the frame to the width that suits you and the table top (we recommend within about 5cm from each side). Once this is set, make sure you go back and tighten all bolts. Once everything is tightened, use a drill or electric screwdriver and attach desk top to the frame using 6 x Part F tapping screws.

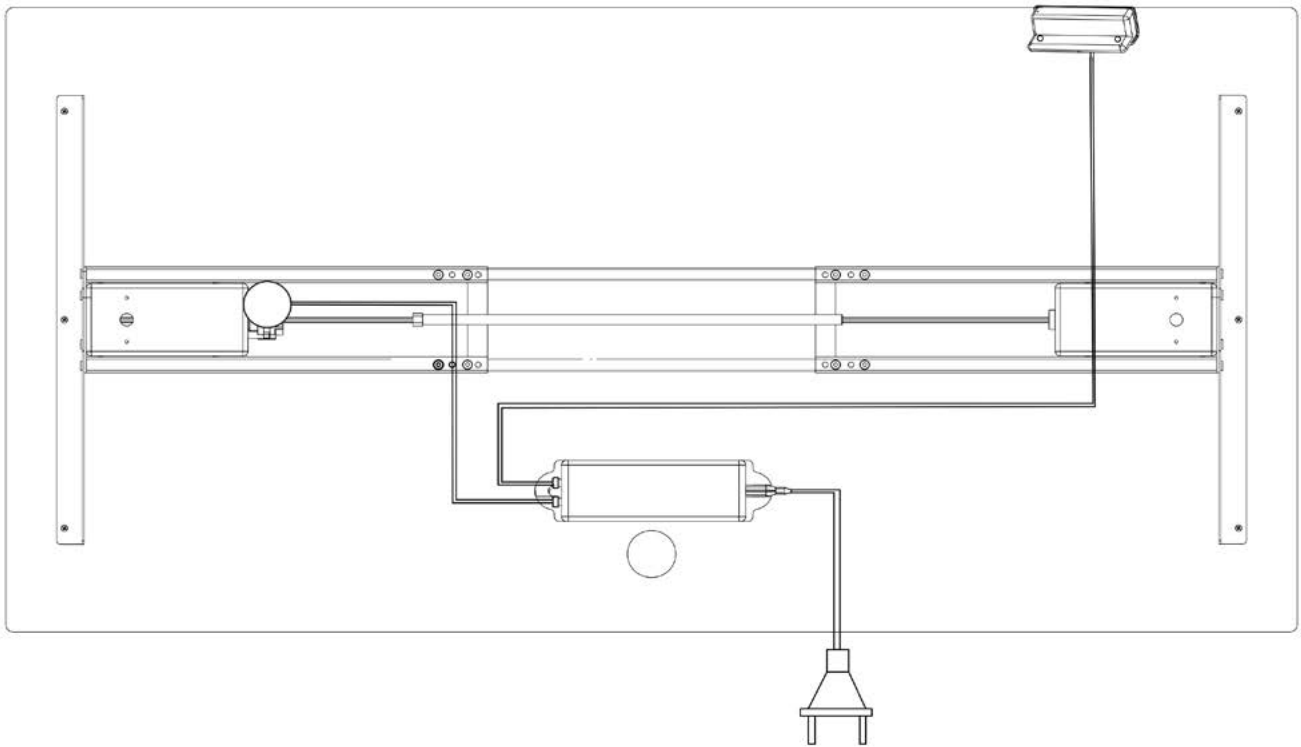
**Note:** Be sure to tighten bolts from all previous steps BEFORE attaching the table top.

Parts used:



F  
Qtyx6

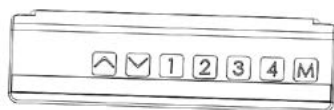
## 7 Install control box & control panel



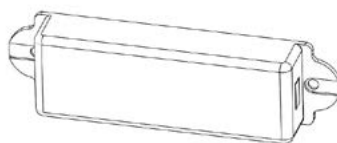
Using the diagram as a guide, you may now connect the motor to the control box, and the control panel. The exact position of the control box and control panel are at your discretion. Once you have selected these positions, you can screw them in place using the remaining Parts F (tapping screws).

**Note:** Do not attach the power cord to a power outlet until all positioning and drilling has been completed and the desk is in the upright position once again.

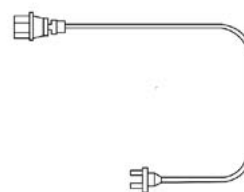
### Parts used:



Control Panel  
Qty 1



Control Box  
Qty 1



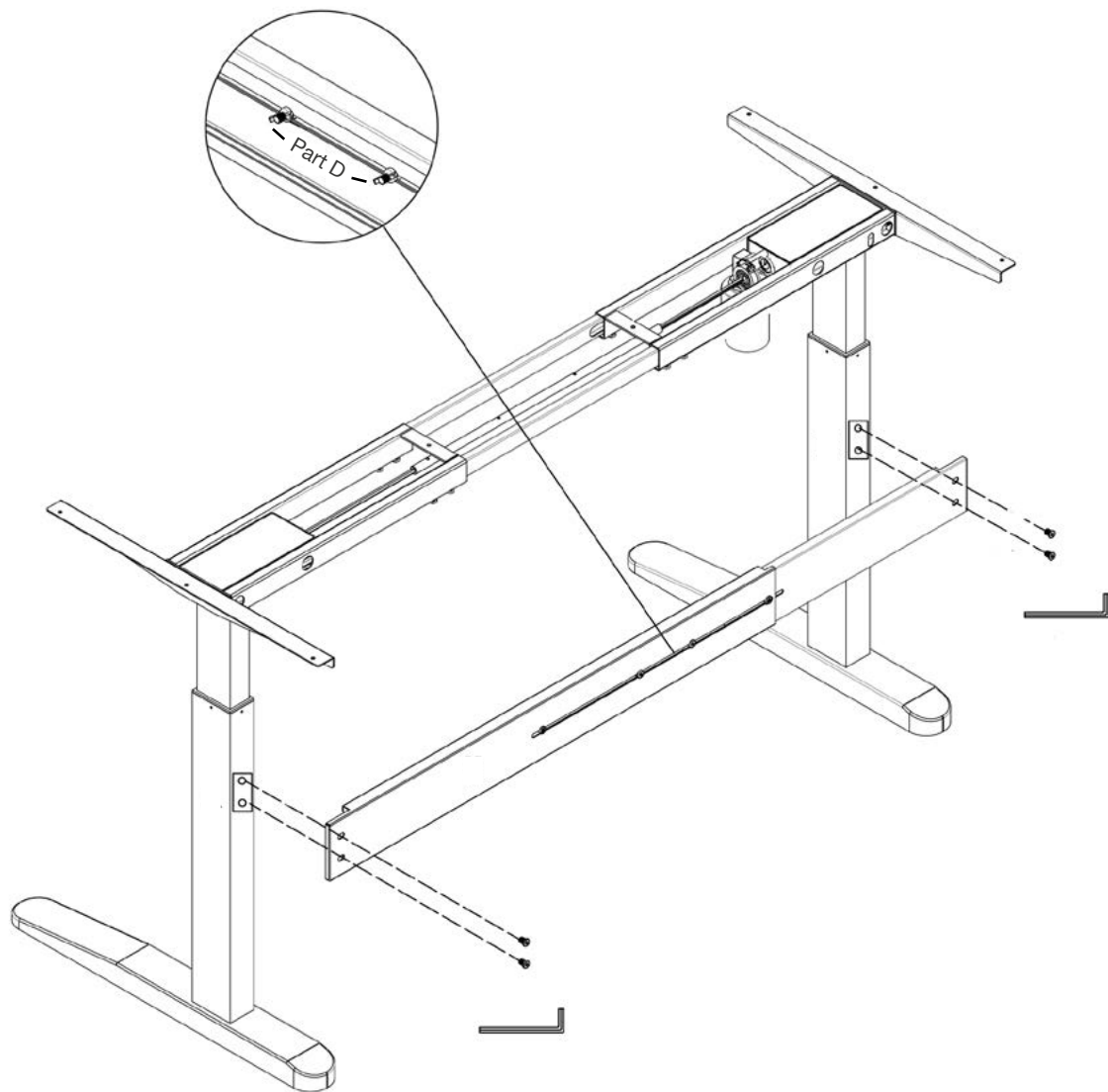
AC Cable  
Qty 1



F  
Qtyx6



## 8 Optional: Support bar/ modesty panel



This is an optional attachment for increased stability.

Firstly attach the support bar to the legs using 4 x C bolts. Once the bar is attached, use Parts C and D and screw tightly to hold in the middle cutout section.



A  
Qtyx2



C  
Qtyx4



D  
Qtyx2

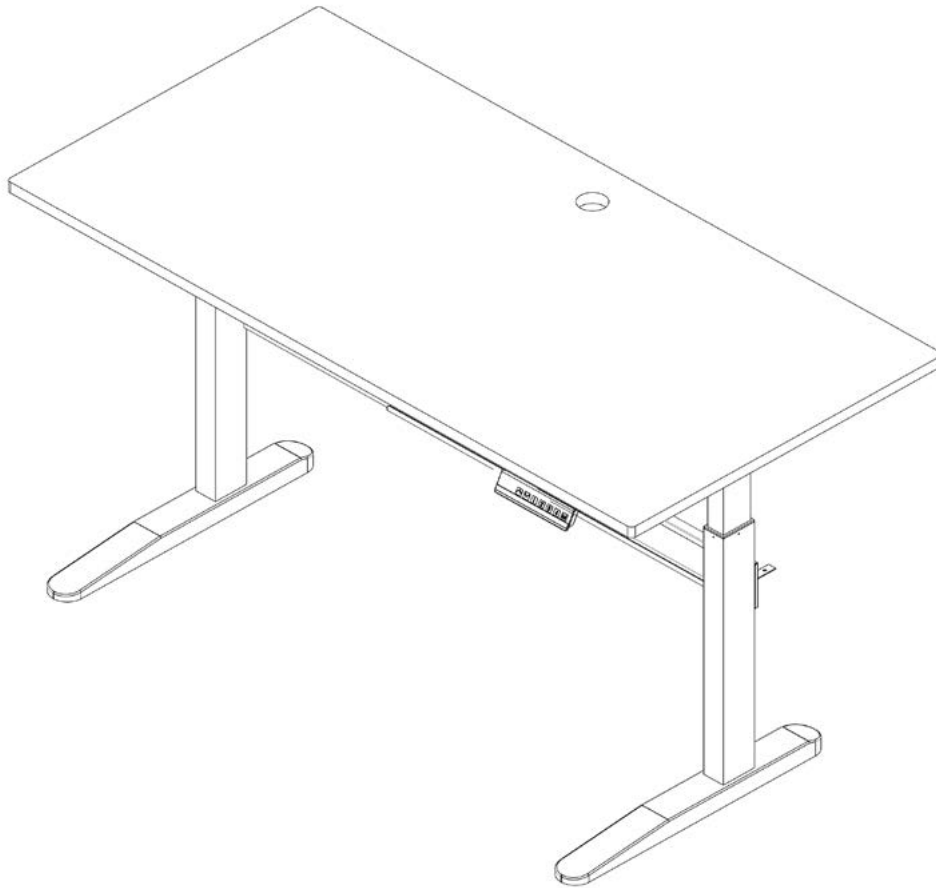


Leg Support Bar  
Qtyx1



## 9 Leg height calibration

FURNA



After plugging desk in to a power source, press and hold the down button until the desk reaches the minimum height. When you hear a “beep” sound this has been achieved and leg calibration complete.

### **Height memory settings**

Press and hold the M button for 3 seconds, and then adjust the desk height to the required level. Once the height is reached and while the LED panel is flashing, simply press one of the number buttons (1, 2, 3 or 4) and that button will then automatically adjust the desk to the set height.

**Congratulations, you're ready to use your Furna E1 desk!**



## **Need help?**

Get in touch by emailing [contact@furna.co.uk](mailto:contact@furna.co.uk) or  
by using our Live Chat feature on our website!