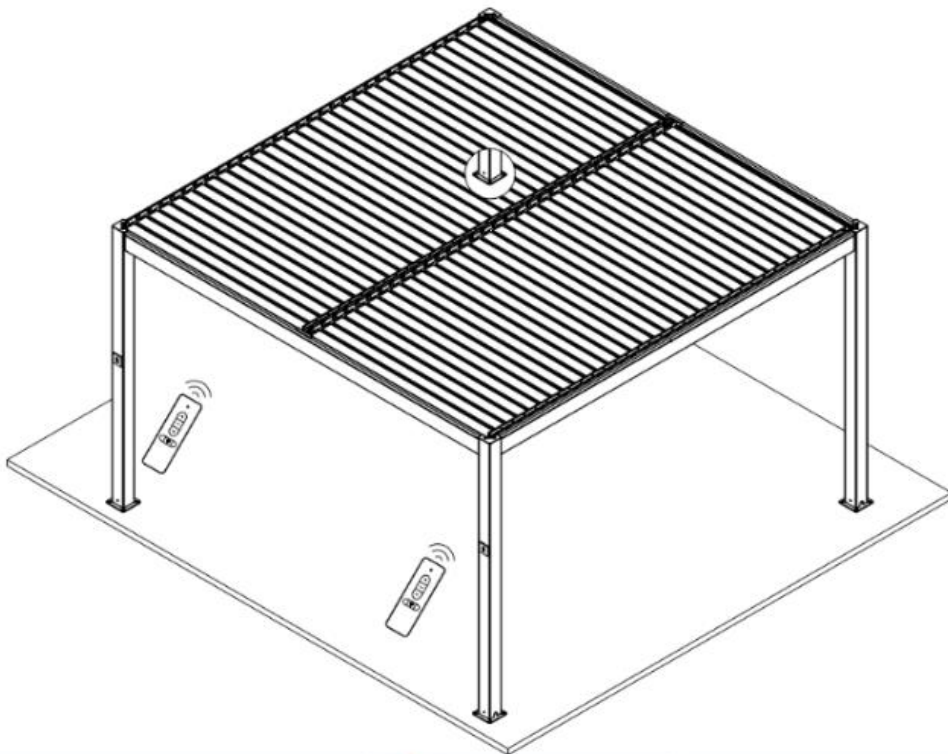


# User Assembly Instructions



## LuxSol Como Pergola Electric Operation

Size:4m x 4m



## Content

Tools and man force .....	1-2
Parts List.....	2-5
Product Description.....	6
Safety Instruction.....	6-7
Mounting.....	8-17
Dismounting.....	18
Storage.....	19
Disposal.....	19



### **Attention:**

**Read this instruction manual carefully and completely before mounting and usage.**

**Keep this manual for future reference.**

Dear Customer,

Congratulations and thank you for choosing to buy a LuxSol Pergola. To enjoy this product for a long time and for your own and the safety of other people, please follow the assembly instructions.

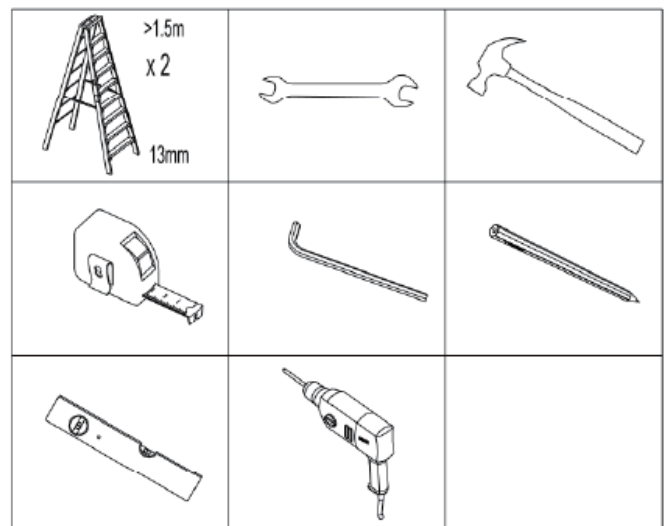
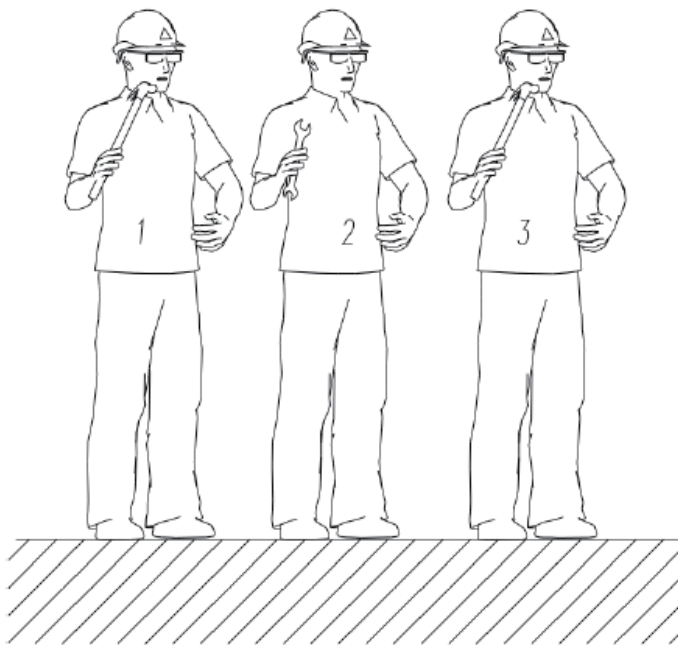
Before you start the assembly process and then using the Pergola, we suggest you are best to get familiar with this product. Make sure all parts listed up in below packing lists are delivered and intact. If you find that there are parts missing or damaged, please do not install the pergola but contact us immediately. Do not start the assembly process if parts are missing or defective.

## Tools and man force

Recommended: 2 or 3 people

Additional tools:







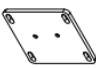







1. Ladder
2. M10/13 open wrench supplied
3. Rubber mallet
4. Tape measure
5. 5mm hexagon wrench supplied
6. Pencil
7. Spirit level
8. Electric drill

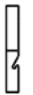


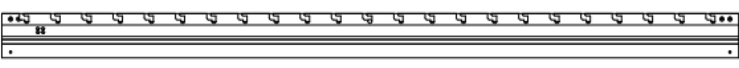

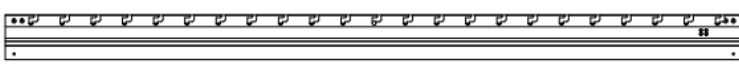

























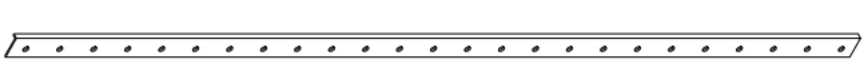
## Parts List

Please check all parts against the parts list before commencing construction of pergola.

### SIZE:400X400CM (double bay) PARTS LIST

①	 x 8 M8X20	⑦	 x128	⑬	 x 2
②	 x 4	⑧	 x128 M8	⑭	 x 2
③	 x 4	⑨	 x1		
④	 x 4	⑩	 x1		
⑤	 x 2 M10	⑪	 x16 M8X100		
⑥	 x136 M8X200	⑫	 x4		

A-1			x 2
A-2			x 1
A-3			x 1
A-5			x 1
B-1			x 4
B-2			x 2
B-3			x 2

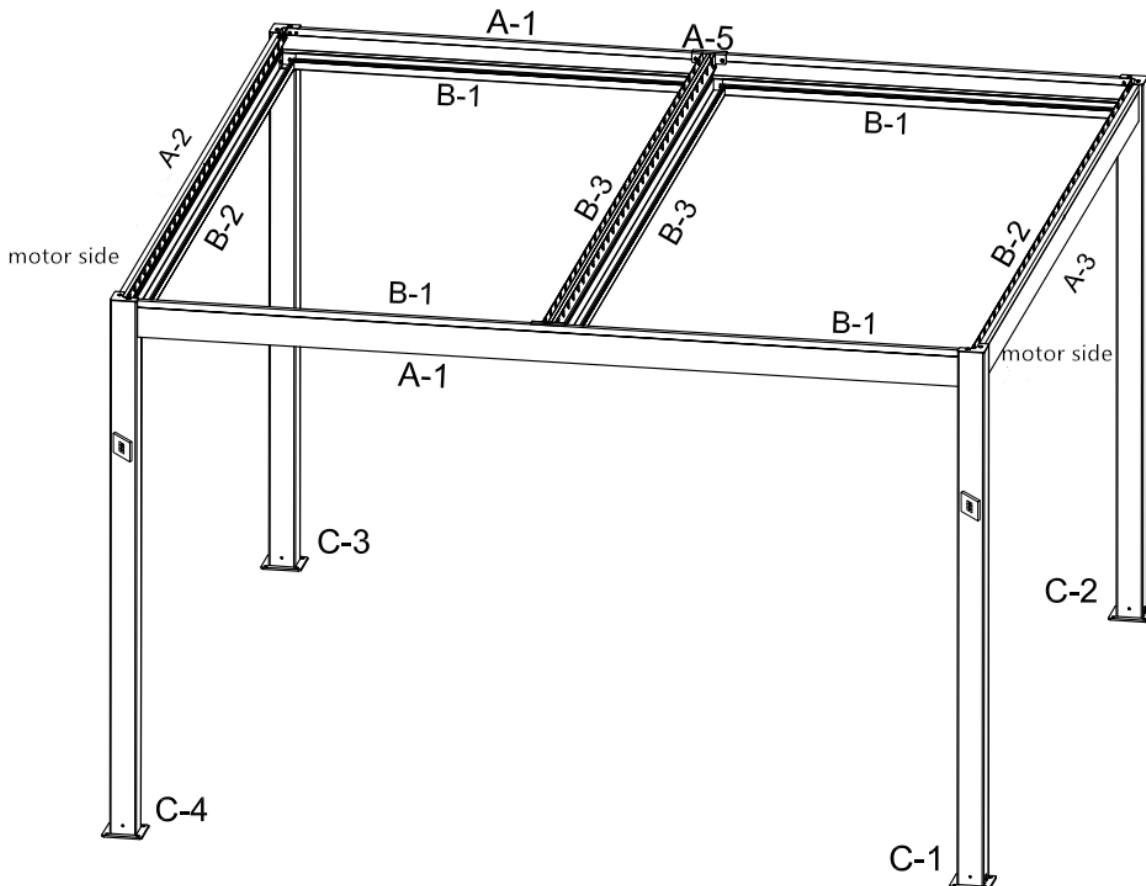
C-1			x 1
C-2			x 1
C-3			x 1
C-4			x 1
D-1			x 60
D-2			x 2
D-3			x 2
E			x 4

**Hardware and other parts:**

① M8x20 countersunk screw	② Screw for motor fixing	③ Base plate
④ Upright cover	⑤ M10 screw cap	⑥ M8x20 Hexagon bolt
⑦ Plastic Spacer	⑦ Plastic Spacer	⑧ Locking nut
⑨ Motor 1 with motor bracket	⑩ Motor 2 with motor bracket	⑪ M8X100 expansion bolt
⑫ Gutter connector	⑬ 50 to 40 connectors	⑭ 2 Remotes

**Aluminum profile parts list:**

(A-1) Beam	(A-2) Beam with motor direction left & slots
(A-3) Beam with motor direction right & slot	(A-5) Middle beam
(B-1) Gutter	(B-2) Gutter
(B-3) Middle Gutter	(C-1) Post + post connector
(C-2) Post + post connector	(C-3) Post + post connector
(C-4) Post + post connector	(D-1) Common louver
(D-2) Centre louver	(D-3) Driving louver
(E) Control rod	



## Product Description

Make the most of your outdoor living area with your pergola. Relax and enjoy the outdoors while being protected from sun. The coated aluminum frame pergola is perfect for shading your garden, deck, courtyard, and swimming pool.

## Important Safety Instructions

**Warning: For the safety of you and other persons it is important to follow below instructions and obey warnings.**

### Symbol explanation



This warning triangle calls attention to hazards that can lead to death or to severe injuries or which are important for the functioning of the Pergola.



This sign identifies important notes.

### Safety instructions



**To install this pergola technical knowledge is necessary.** Do not mount this pergola yourself but contact a professional workman for help if.

- ◆ you are unsure if the pergola can be mounted on the place you chose for installation.
- ◆ you do not understand the instruction manual or parts of it.
- ◆ you do not have necessary tools available.
- ◆ you do not have necessary technical knowledge.



**A minimum of three healthy adults are required to move and install the pergola** as the product is big and heavy. Do not try to install the pergola alone. If the pergola falls, it could cause serious injuries and damages! Contact an authorized assembler for help.



**Do not install the pergola when you find damage parts are that parts are missing.**  
Contact your dealer.





**Keep children and pets out of the working area during assembly and adjustments.**



**This product and its fixing parts are only suitable for installation on a plain cement wall or stable brickwork. If the wall/brickwork shows cracks you have to consult a professional.**



**Nobody is allowed to change the products' design and structure** without the permission of manufacture or authorized deputy.



Please make sure that your hands are clean at the time of the assembly; otherwise, you may soil frame.



**Nobody is allowed to climb onto the Pergola. Hanging anything on the Pergola is forbidden.**

Sheeting was used to protect the paint. This must be removed afterwards.

This structure is a non-permanent structure, and the warranty does not cover damage incurred under extreme weather conditions including heavy rain, high winds or if exposed to high heat from heaters or BBQs.

Safety precautions should always be followed when assembling and using this product to reduce the risk of personal injury and damage to equipment. Please read all instructions before assembly and use. Never leave children unattended around/under this pergola. Do not attempt to assemble or use the pergola in moderate or heavy wind conditions. Always **keep the pergola louver open** and secure it during heavy winds or extreme weather conditions to avoid damage to the pergola or personal injury.



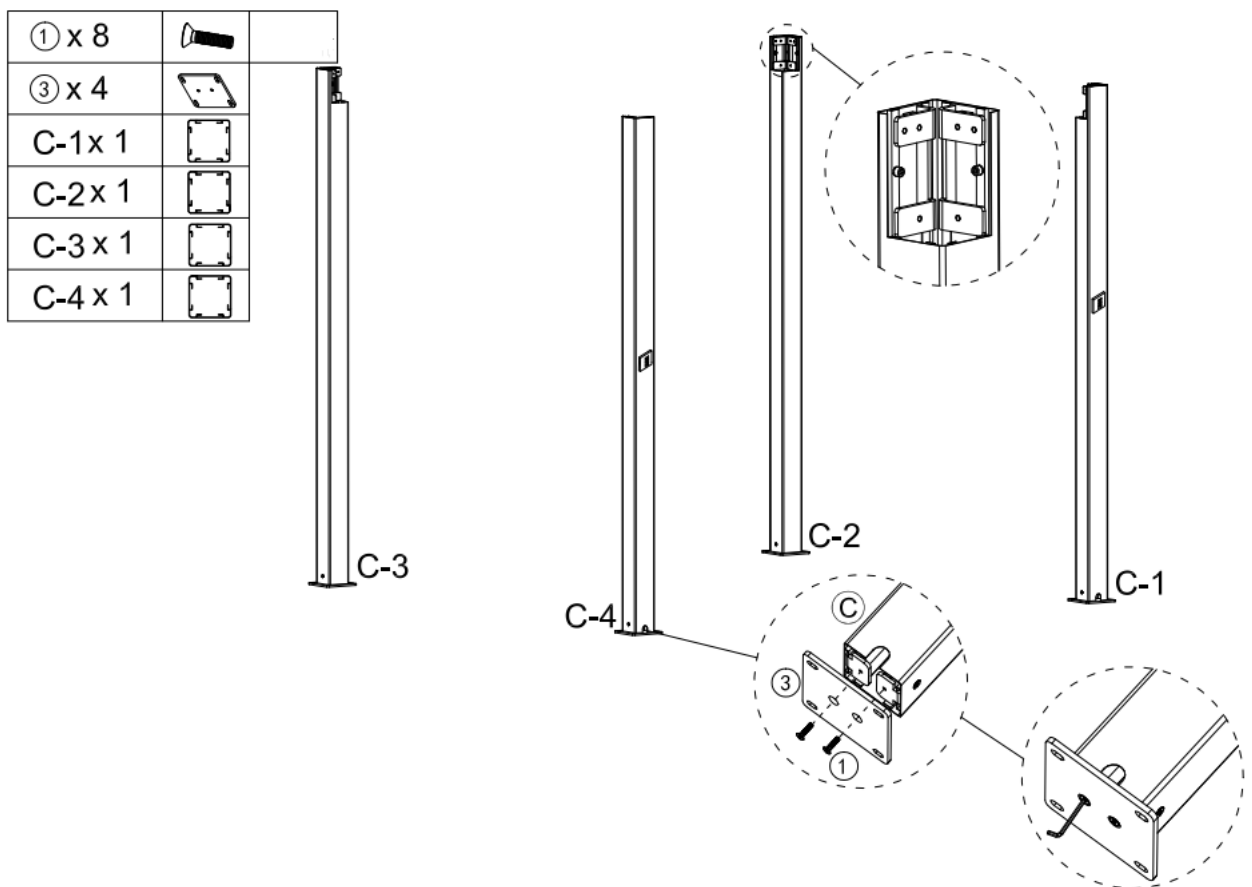
## Mounting and usage

### Step 1

Attach base plate ③x4 to the bottom of posts (C-1 X1,C-2 X1,C-3 X1,C-4X1),use bolts①x8 to attach with hex key or electric drill




C-1&C-3, C-2&C-4 posts should be installed diagonally as below.

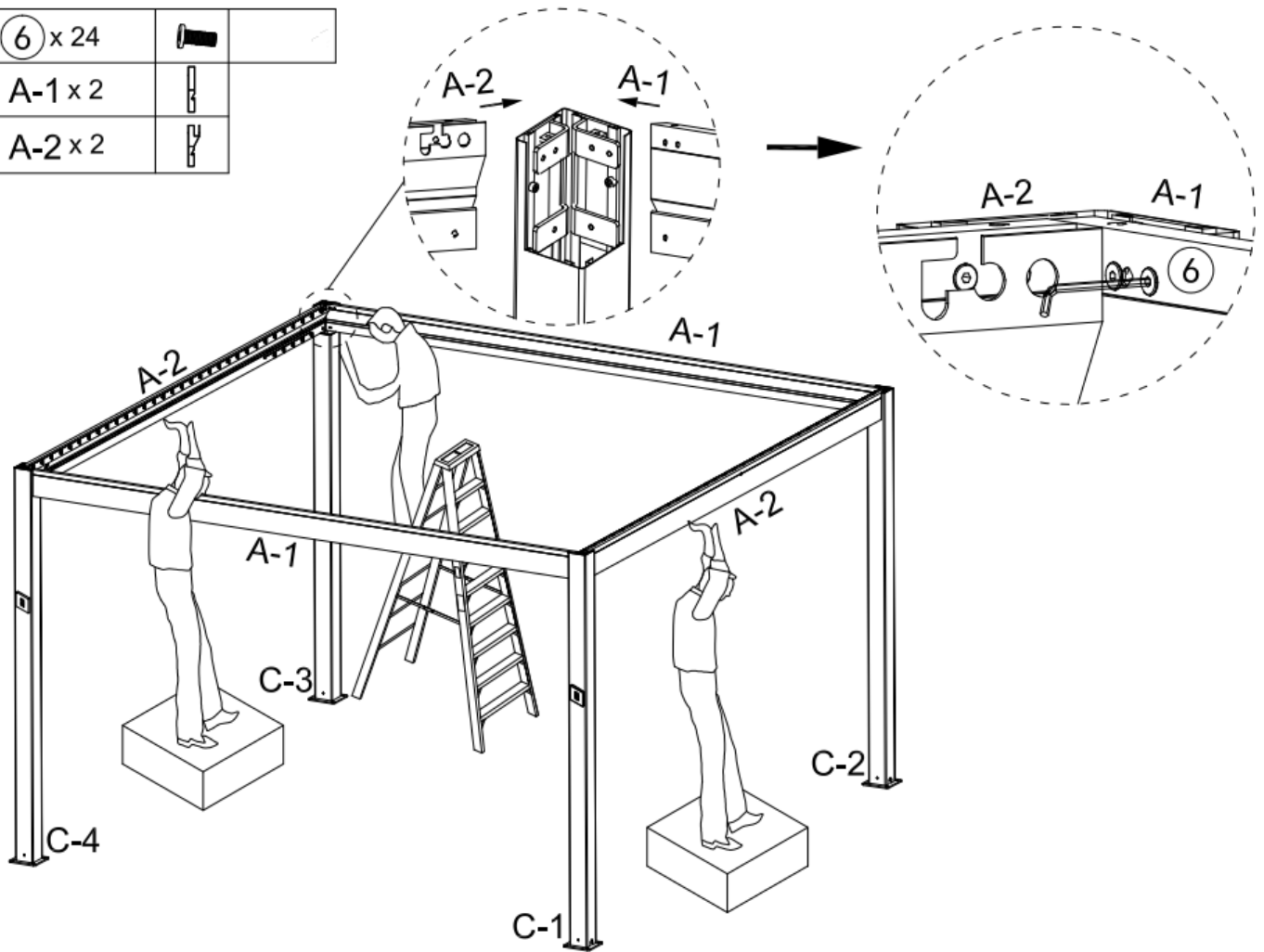
Please make sure all posts on the same horizontal plane.



## Step 2




Attach beam A-1X2 and beam A-2 x2 ,use bolts ⑥ to fasten

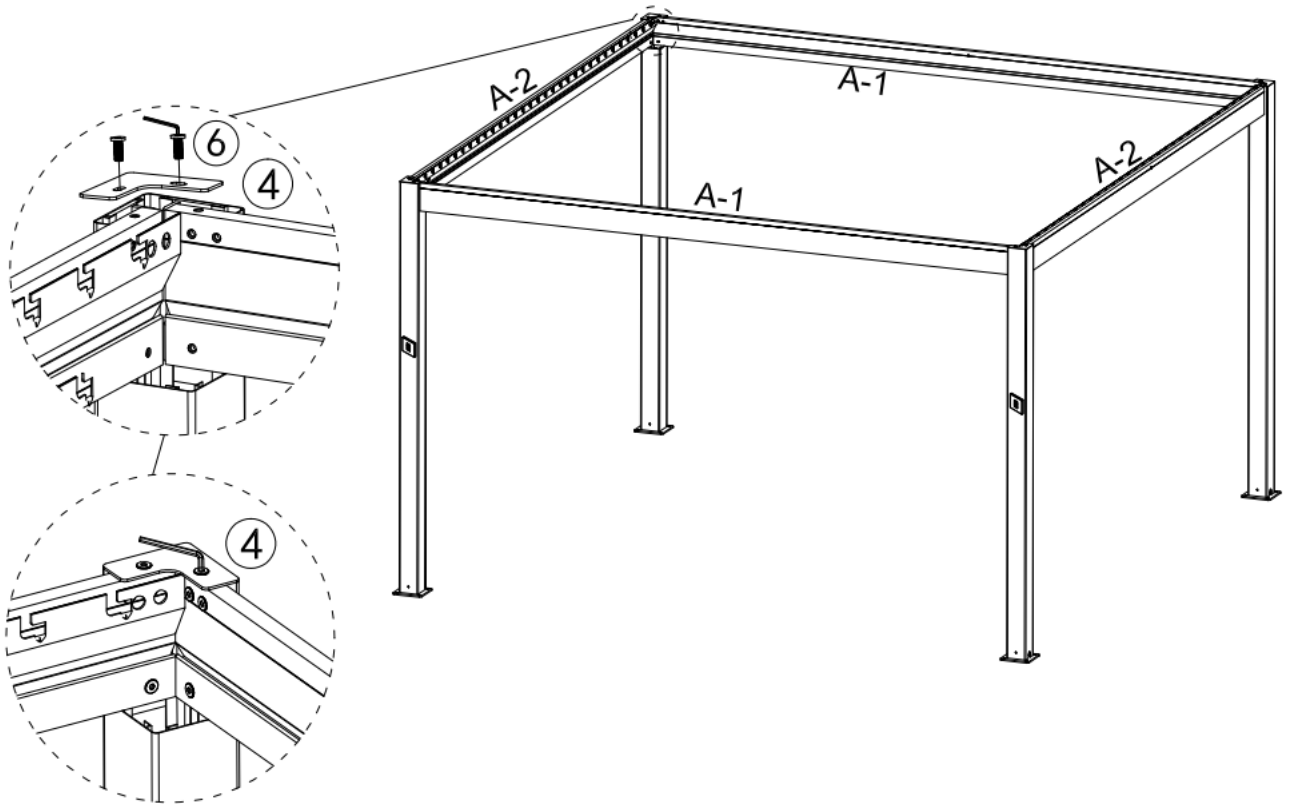
⑥ x 24		
A-1 x 2		
A-2 x 2		



### Step3



Attach upright cover ④x4, use bolts ⑥x8 to fasten

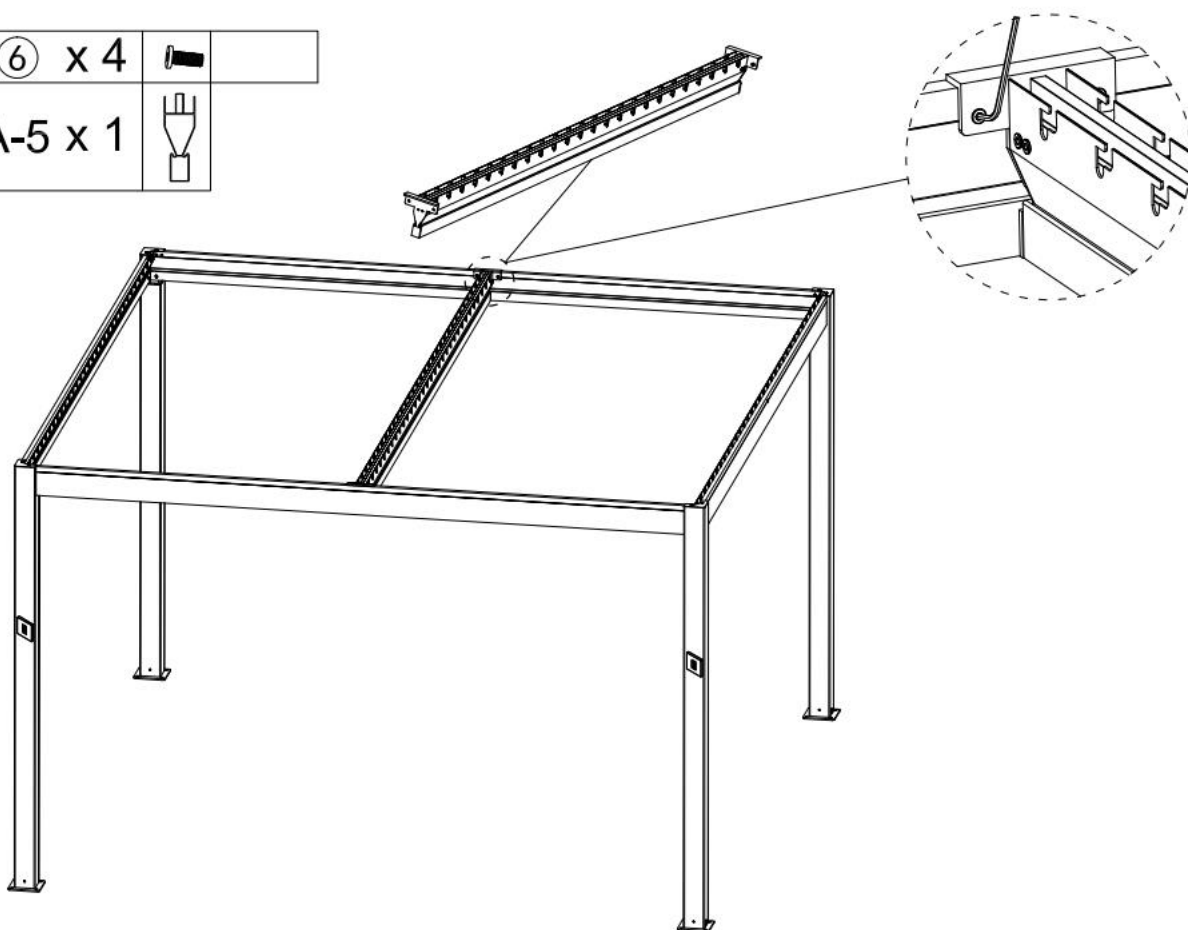
⑥ x 8		
④ x 4		



## Step 4

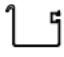
Use ⑥ X 4 to fasten A-5 X1

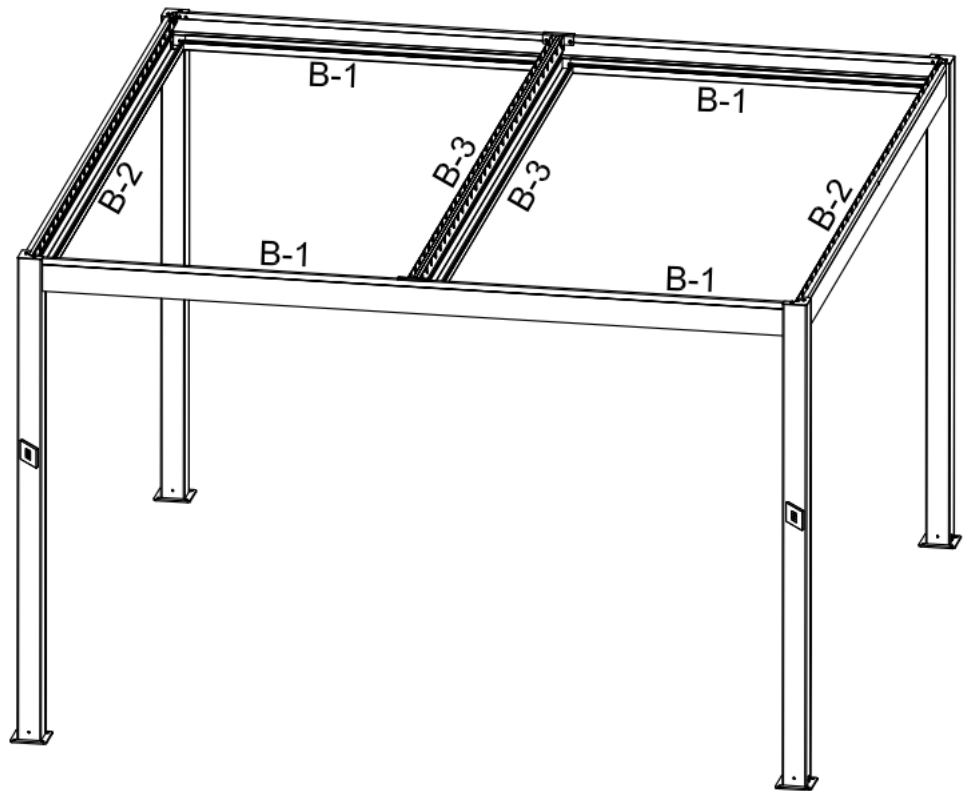
⑥ x 4		
A-5 x 1		



### Step 5

Attach all four gutters B-1 X4, B-2 X 2, B-3 X 2 by hooking inside the A-1, A-2, A-3 beams.

B-1 x 4	
B-2 x 2	
B-3 x 2	



## Step 6

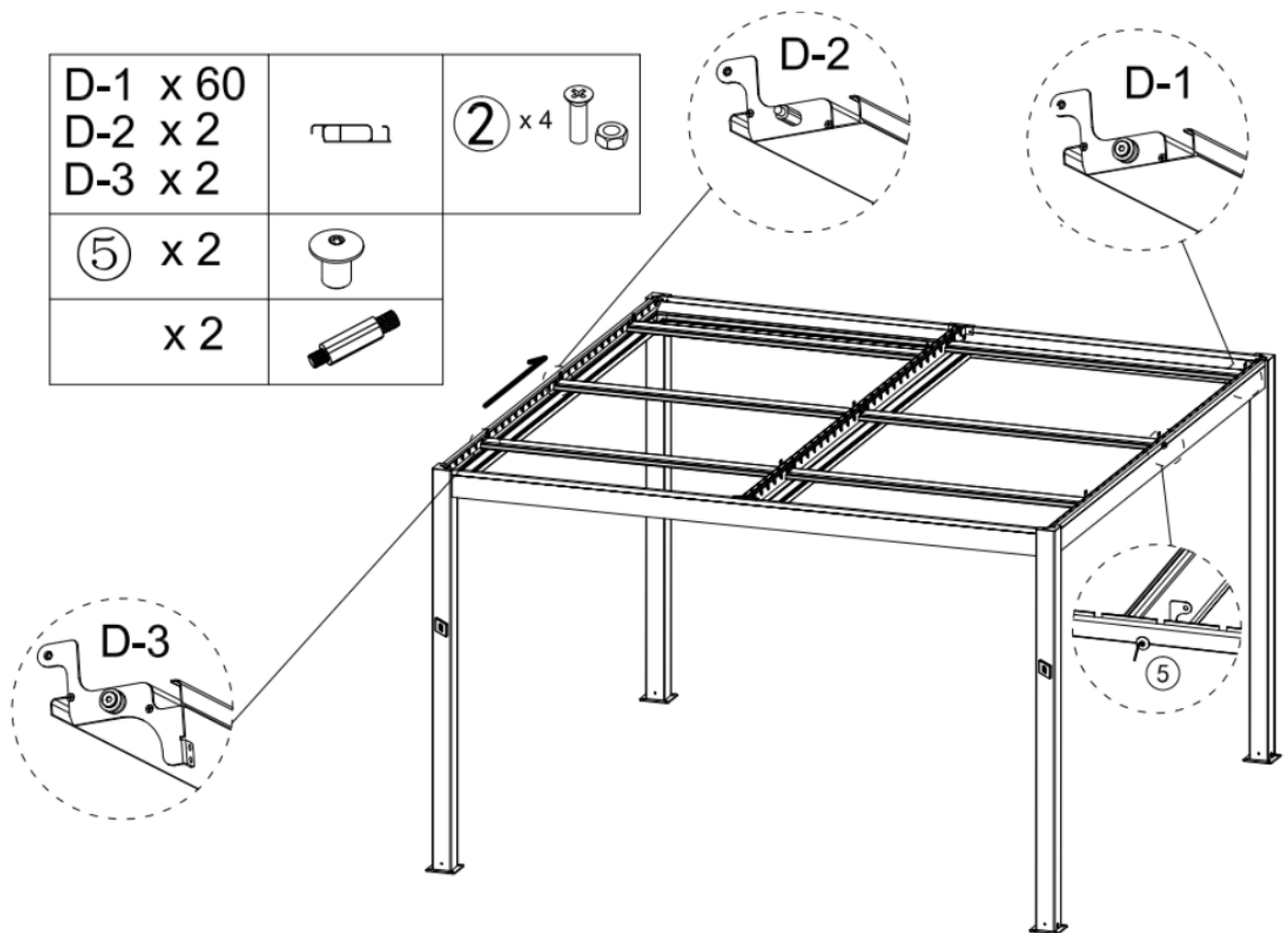
Located holes in center of beams (**A-2, A-3, A-5**)

Place **center louver D-2** into the hole which on slot beam A-2, A-3, A-5, lining up with the holes for 400\*400cm size.

Using M10 nut ⑤X2, secure the louver in place

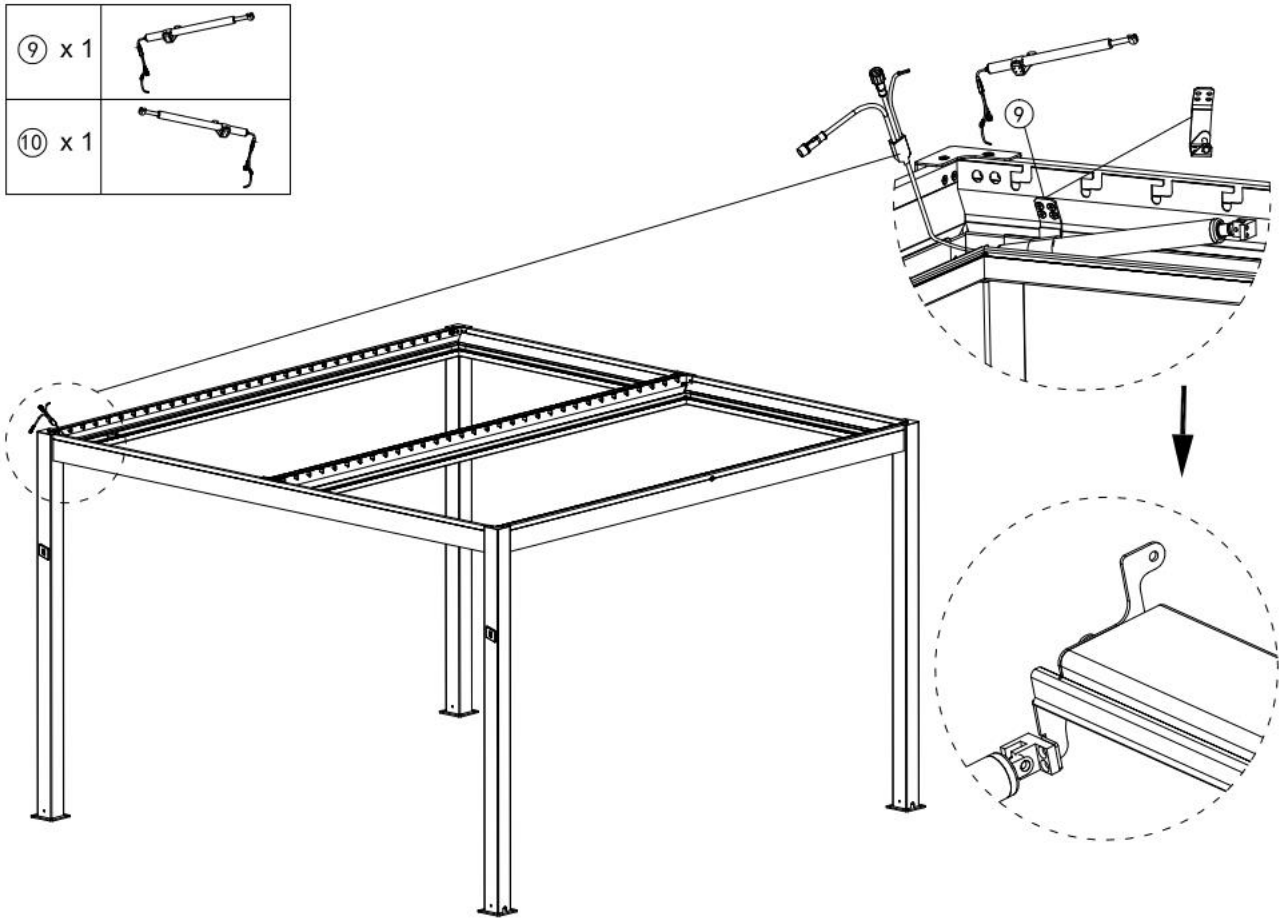
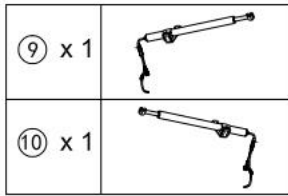
Place **Driving louver D-3** in line with 7th slot (check attached direction) on the beam A-2, A-3, A-5,

Fit all common louvers **D1** into the remaining slots in the beams.



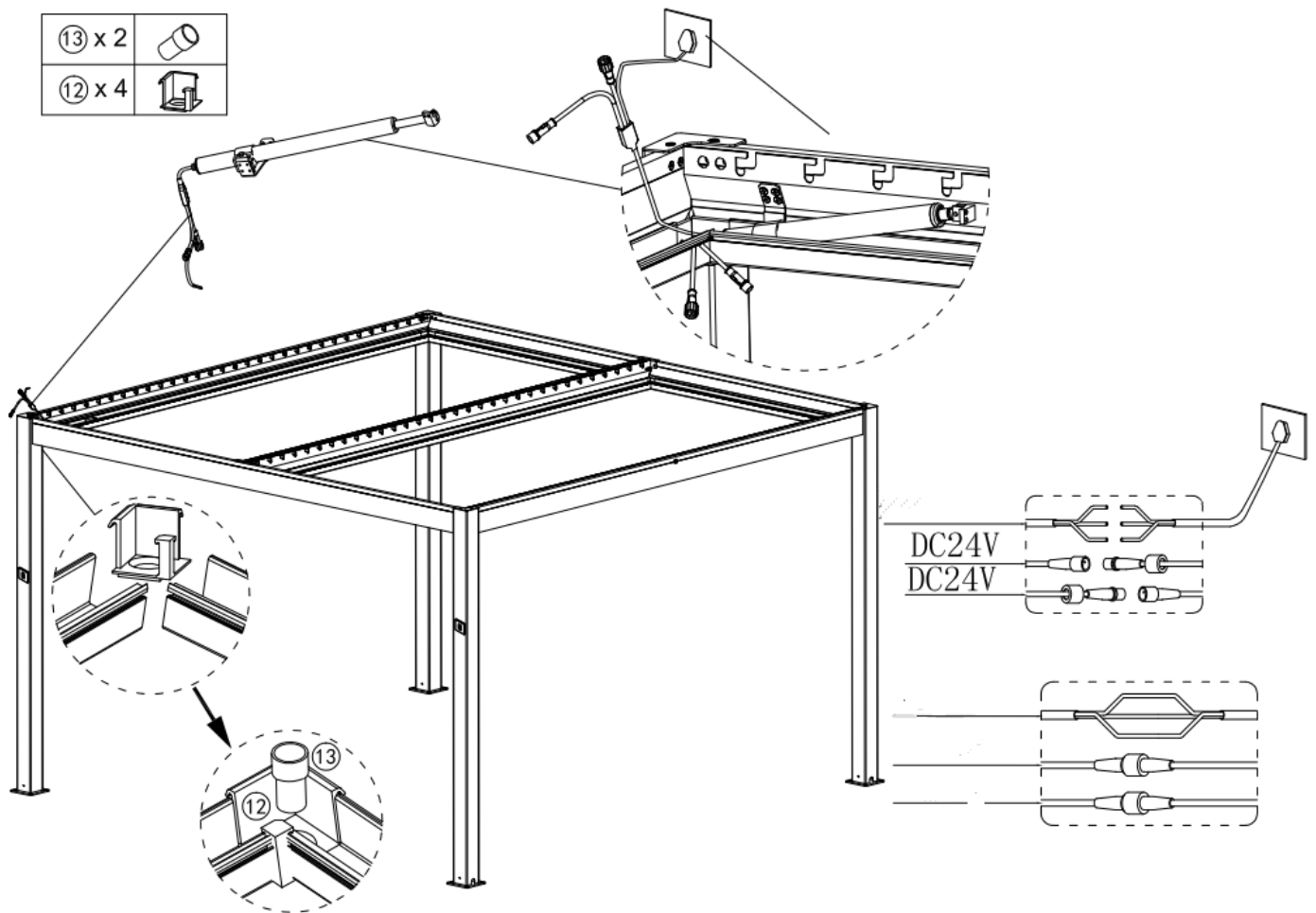
## Step 7

Fasten motor ⑨x1 + ⑩ X1 as shown below.



## Step 8

Fasten ⑫x4 gutter connector and ⑬x2 (50 to 40 connector).  
Connect the female and male plugs for the LED lighting.  
(DC24V to DC24V) and motor (DC24V to DC24V) and  
plug the power cable into local socket.





## Step 9





Fix ⑥ x 4 (flat L-shaped aluminum profile).

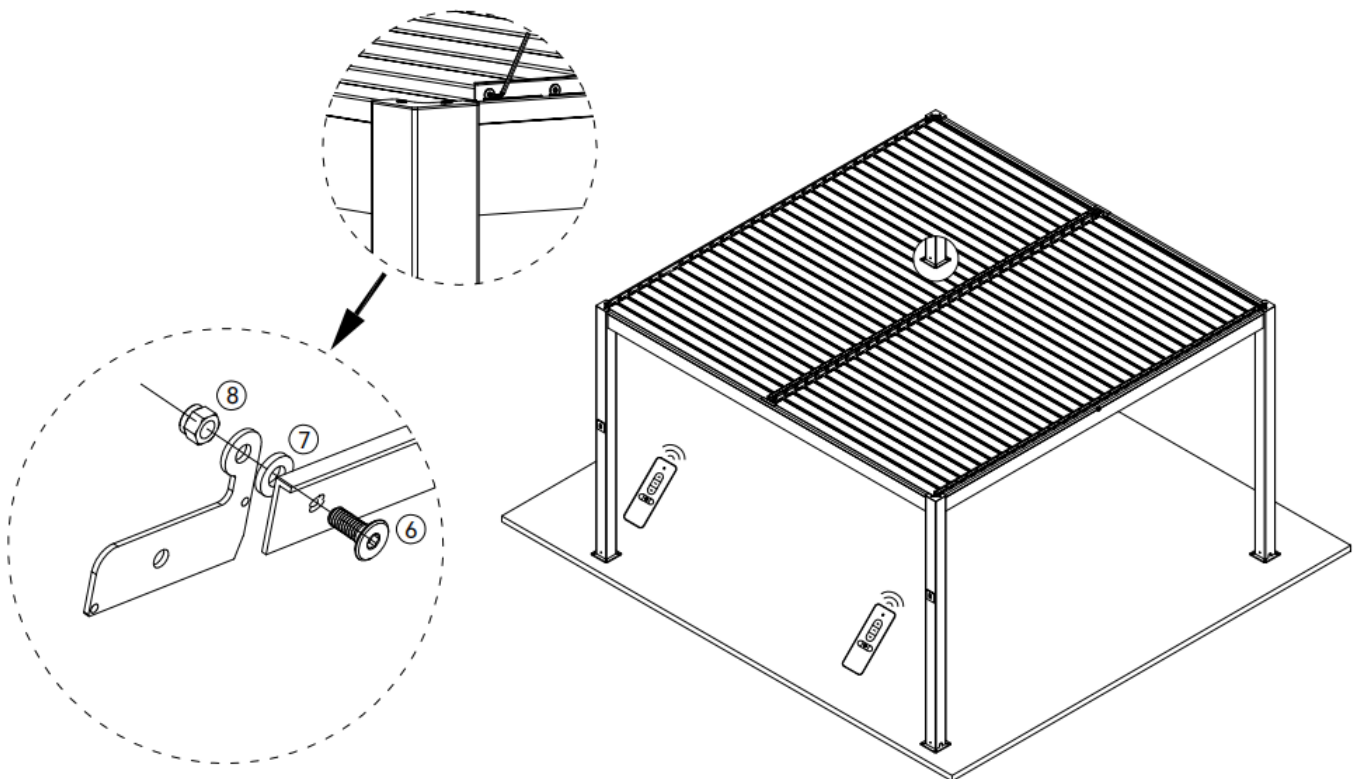
One for each other of the slats is required.

Use bolt⑥x128, plastic spacer⑦x128 and nut⑧x128 to tighten for 400X400cm size.

Secure the louvers at each end.

NOTE: Do not over tighten. Over tightening will prevent louvers from moving.

⑥ x 128	⑦ x 128	⑧ x 128	⑥ x 4
			



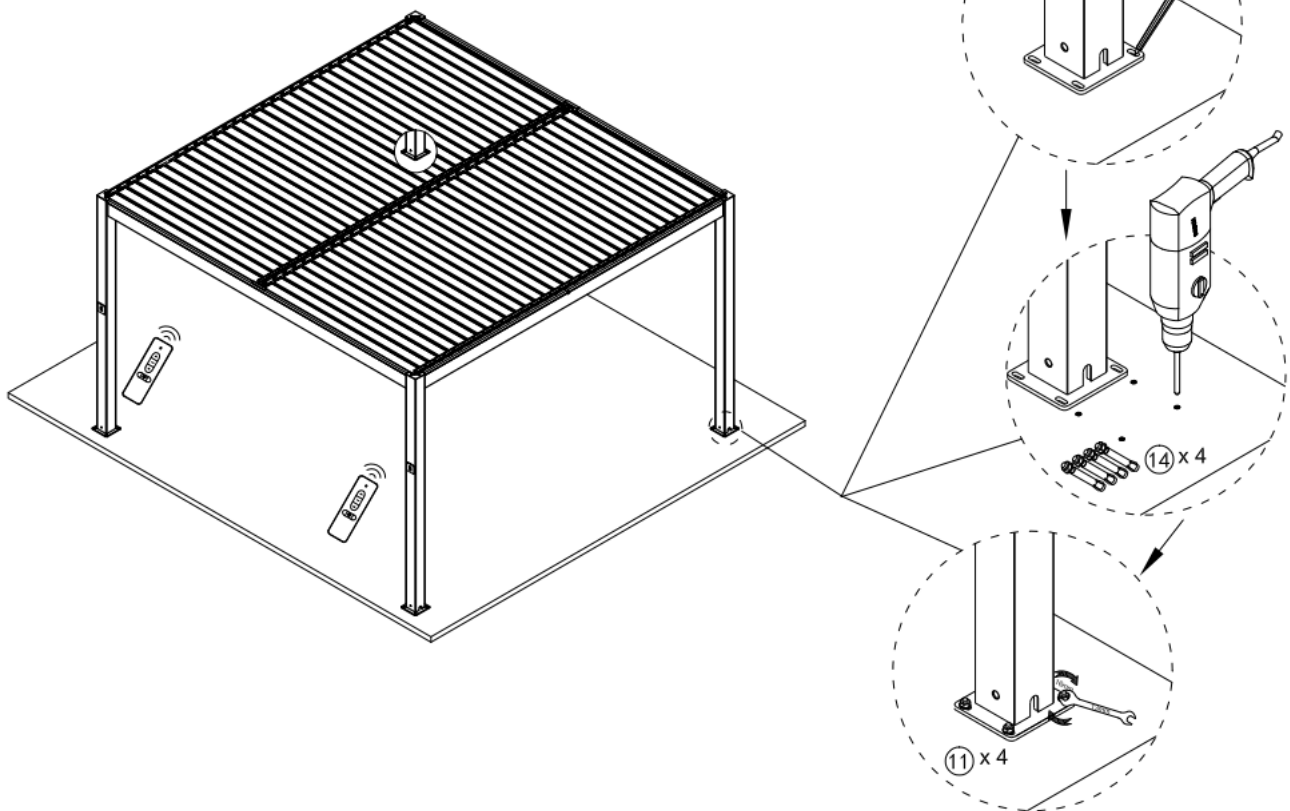
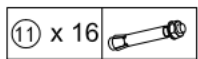
## Step 10

Mark holes for expansion bolt ⑪x4 on each post.

Note the drill size should be 12 mm.

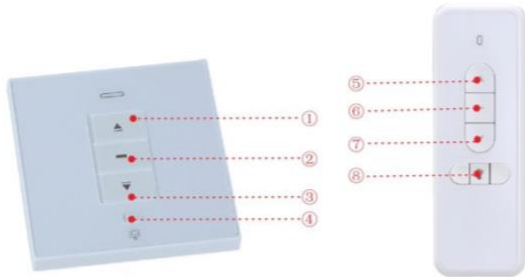
Insert the bolts. Use a hammer drill if necessary. Place the posts over the bolts. Tighten the nuts.

Once installed, make sure any remaining plastic is removed and silicone is used along all corners and gutters to waterproof.



**WARNING: Ensure louvers are open during periods of mild to strong winds.**

# Operating Instructions for Remote Controller with Light Control



HC-PM03F\D-T1

- ①Motor: Up button
- ②Motor: Stop button
- ③Motor: Down button
- ④Light bulb: turn on/off button

HC-PM03\D-T1

- ⑤Motor: Up button
- ⑥Motor: Stop button
- ⑦Motor: Down button
- ⑧Light bulb: turn on/off button

## 1. Function and Features

- ※ 86mm\*86mm, in accordance with international installation standard;
- ※ The electric structure is partial conformity with the standard fire protection requirement of the electrician;
- ※ Industrial grade microcomputer chip is used to improve product quality and reliability greatly;
- ※ Use shock-proof current relay;
- ※ Components using precision SMT industry, surface moisture-proof treatment;
- ※ Power supply has safety protection, power supply time is 5 minutes;
- ※ It is used with various emitters and tubular motors.

## 2. Product Parameters

Product name	Remote controller with light control
Product model	HC-PM03F\D-T1
Receiving/transmitting frequency	433.92MHz
Working temperature	-20°C~ +85°C
Receiving sensitivity	-110dBm
Allowed number of transmitters	≤8pcs

Product name	Remote controller with light control
Product model	HC-PM03\D-T1
Receiving/transmitting frequency	433.92MHz
Working temperature	-20°C~ +85°C
Receiving sensitivity	-110dBm
Allowed number of transmitters	≤8pcs

## 3. Operating Instruction

### A. Learning code



### B. Deleting code



## Dismounting

If you want to disassemble the Pergola, please follow the following process.

**Attention! At least two people are needed for this step.**

- ◆ Keep the Pergola louvers open before you begin with dismounting. Bind the Louvers of the Pergola together to avoid unintended unfolding. This might cause damage and injury. You can use the protection band that was fixed on the Pergola when purchasing it.
- ◆ Follow the mounting instructions in reversed order to dismount the Pergola.
- ◆ Make sure that drilling holes in the wall will be sealed professional.
- ◆ **Attention! Safety hints and instructions must be followed for dismounting as well.**

## Storage

When you do not want to use the Pergola for a longer period of time it is recommended to take the Pergola out of the brackets and store it.

- ◆ Make sure that the frame is dry completely before storing.
- ◆ Store the Pergola at a dry and safe place that is not reachable for children.

## Disposal

Do not dispose this Pergola with other household wastes. To prevent possible harm to the environment or human health from uncontrolled waste disposal, recycle it responsibly to promote the sustainable reuse of material resources. To return your used device, please use the return and collection systems or contact the retailer where the product was purchased. They can take this product for environmentally safe recycling. Dispose packing materials according to local guidelines.