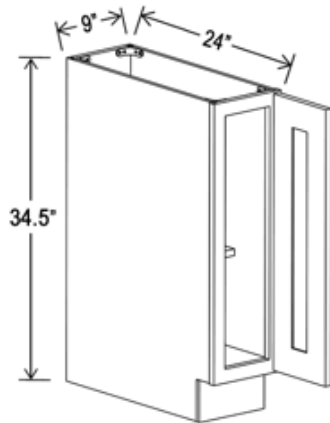
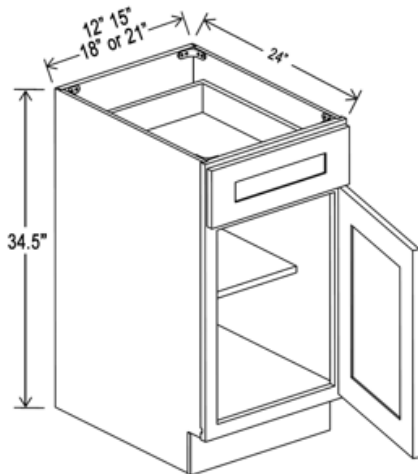


Base Cabinet - Full Height Door



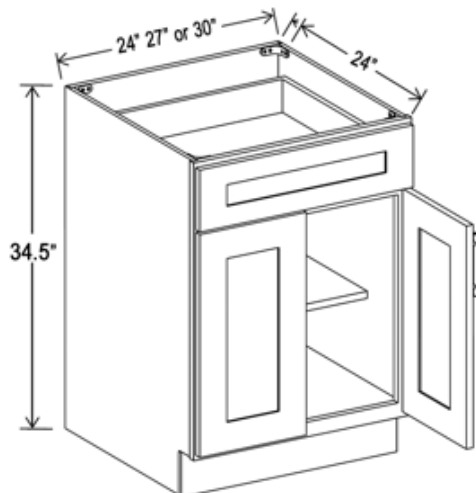
Cabinet	Width	Height	Depth
	9	34-1/2	24
BT09	<ul style="list-style-type: none"> Adjustable two-thirds depth shelf Specify Hinge left or right 		

Base Cabinet - Single Door + Single Drawer Base



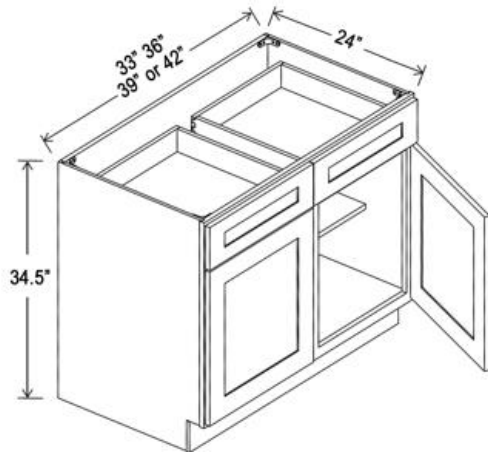
Cabinet	Width	Height	Depth
B12	12	34-1/2	24
B15	15	34-1/2	24
B18	18	34-1/2	24
B21	21	34-1/2	24
	<ul style="list-style-type: none"> Adjustable two-thirds depth shelf Specify Hinge left or right 		

Base Cabinet - Double Door + Single Drawer



Cabinet	Width	Height	Depth
B24	24	34-1/2	24
B27	27	34-1/2	24
B30	30	34-1/2	24
	<ul style="list-style-type: none"> Adjustable two-thirds depth shelf 		

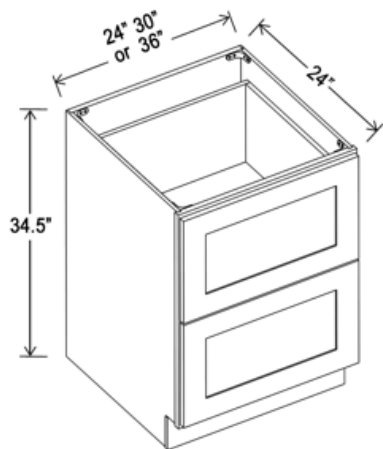
Base Cabinet - Double Door + Double Drawer Base



Cabinet	Width	Height	Depth
B33	33	34-1/2	24
B36	36	34-1/2	24
B39	39	34-1/2	24
B42	42	34-1/2	24

- Adjustable two-thirds depth shelf
- Butt doors

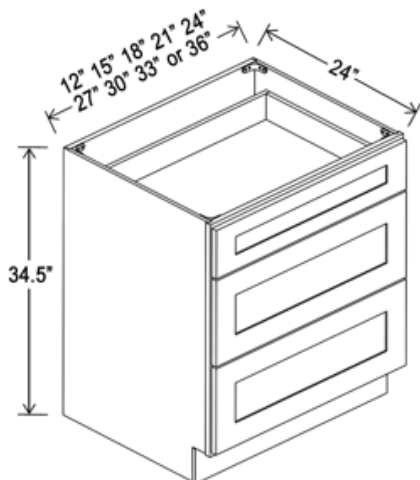
Drawer Base Cabinet – Two Large Drawers



Cabinet	Width	Height	Depth
2DB24	24	34-1/2	24
2DB30	30	34-1/2	24
2DB36	36	34-1/2	24

- Depth of drawer body measures 9-15/16"

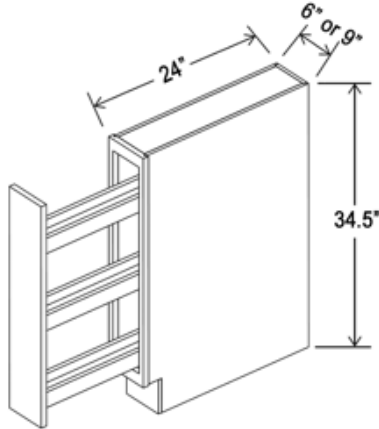
Drawer Base Cabinet – Three Drawers



Cabinet	Width	Height	Depth
3DB12	12	34-1/2	24
3DB15	15	34-1/2	24
3DB18	18	34-1/2	24
3DB21	21	34-1/2	24
3DB24	24	34-1/2	24
3DB27	27	34-1/2	24
3DB30	30	34-1/2	24
3DB33	33	34-1/2	24
3DB36	36	34-1/2	24

- One standard and two large drawers
- Depth of large drawer body measures 7 15/16"

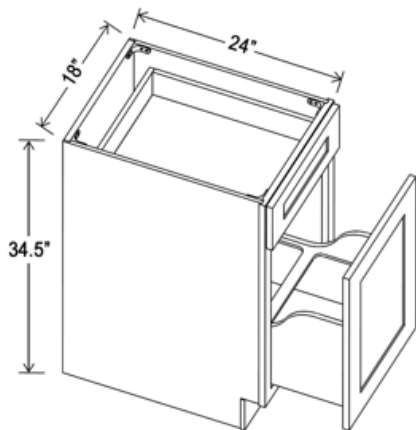
Base Cabinet – Full Height Door Spice Pullout



Cabinet	Width	Height	Depth
SPB6	6	34-1/2	24
SPB9	9	34-1/2	24

- Three fixed shelves

Base Cabinet with Recycling Wastebasket Pullout



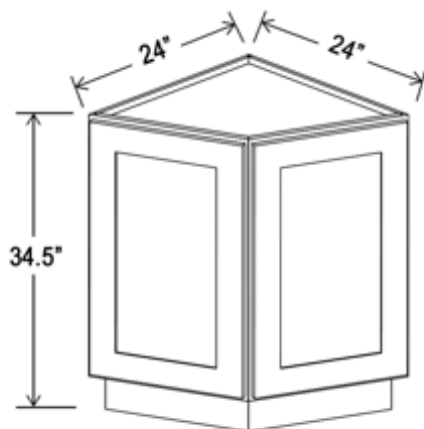
Cabinet	Width	Height	Depth
BWB18	18	34-1/2	24

- Wastebasket rests in a natural finish wood frame
- Wastebaskets sold separately

BK-TRASHCAN	Width	Height	Depth
	9-1/4	14-1/4	18

- Requires quantity of two per pullout
- Plastic 35-quart capacity

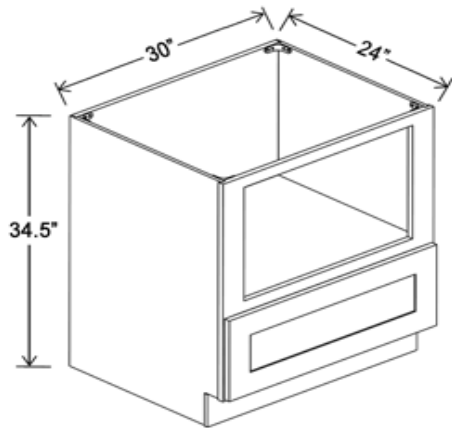
Base End Angle Cabinet – Two Doors



Cabinet	Width	Height	Depth
BEC24	24	34-1/2	24

- Full-height doors
- One adjustable shelf
- Requires 24"x24" space

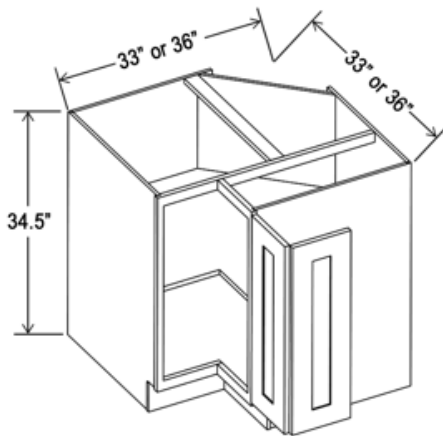
Base Microwave Cabinet – One Drawer



Cabinet	Width	Height	Depth
MB30	30	34-1/2	24

- Microwave opening finished to match cabinet box exterior.
- Designed to accommodate built-in or countertop style microwave.
- Opening size: 27" W x 14-3/4"H
- Refer to appliance manufacturer's specification for adequate clearances

Base Easy Reach Corner



Model	Width	Height	Depth
ERB33	33	34-1/2	24
ERB36	36	34-1/2	24

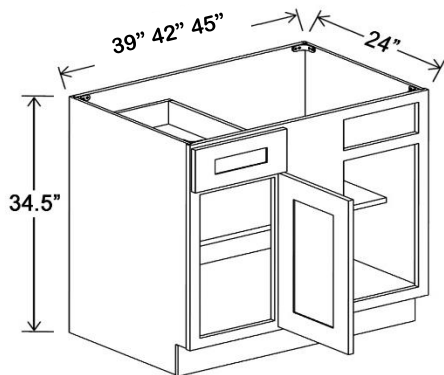
- Adjustable full depth shelf
- Cabinet requires a minimum of 34"/36" to fit through doorway.
- Additional space recommended if appliance is installed on the hinge side of this cabinet for proper door operation.
- To convert to a Lazy Susan Base Corner, add (1) set of carousels from below

OPTIONAL: Lazy Susan Carousels

BK-WOOD 33	Wooden Tray Basket	Fits ERB33
BK-WOOD 36	Wooden Tray Basket	Fits ERB36

- Two fixed wood spin mounted on cabinet floor and 3/4" adjustable shelf
- Natural finish wood spin features a 1-3/8" lip

Blind Base Corner

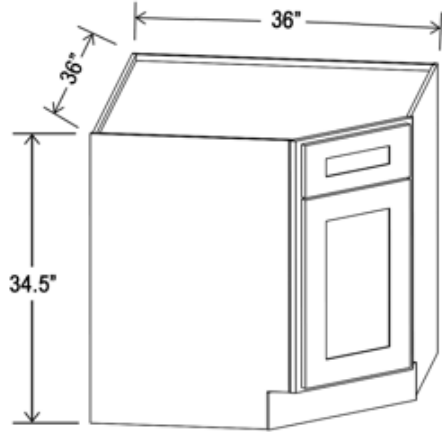


Cabinet	Width	Height	Depth
BBC39	36	34-1/2	24
BBC42	39	34-1/2	24
BBC45	42	34-1/2	24

- Adjustable two-thirds depth shelf
- Door and drawer can be reversed in the field as blind sections are identical.
- Refer to chart below for specifications

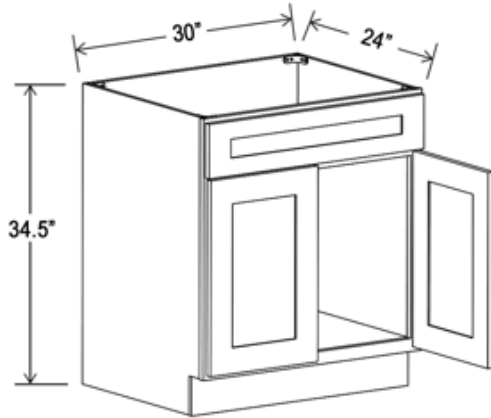
Model	Door opening	Door Width	Minimum Installed Space	Maximum Pull	Maximum Installed Space
BBC39	9"	12"	39"	6"	42"
BBC42	12"	15"	42"	6"	45"
BBC45	15"	18"	45"	6"	48"

Diagonal Corner Sink



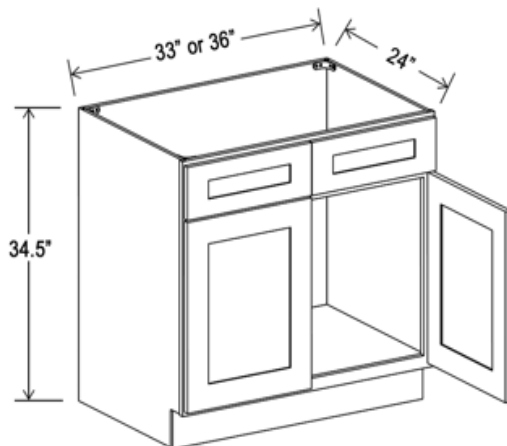
Cabinet	Width	Height	Depth
CSB36	36	34-1/2	24
<ul style="list-style-type: none"> No shelf Cabinet requires a minimum of 36" to fit through doorway 			

Sink Base - Single False Drawer Front



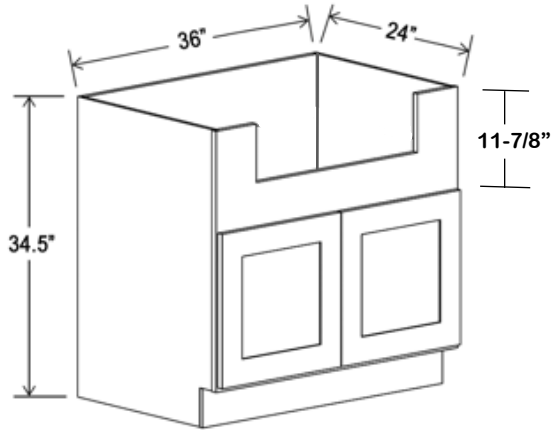
Cabinet	Width	Height	Depth
SB30	30	34-1/2	24
<ul style="list-style-type: none"> No Shelf Butt doors Full height back 			

Sink Base – Double False Drawer Front



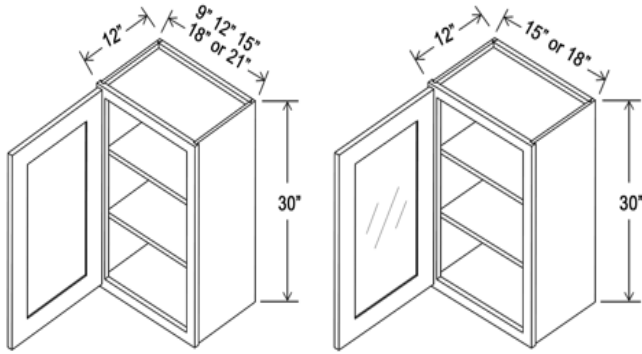
Cabinet	Width	Height	Depth
SB33	33	34-1/2	24
SB36	36	34-1/2	24
<ul style="list-style-type: none"> No shelf Butt doors Full height back 			

Sink Base – Apron Front Base / Farmhouse

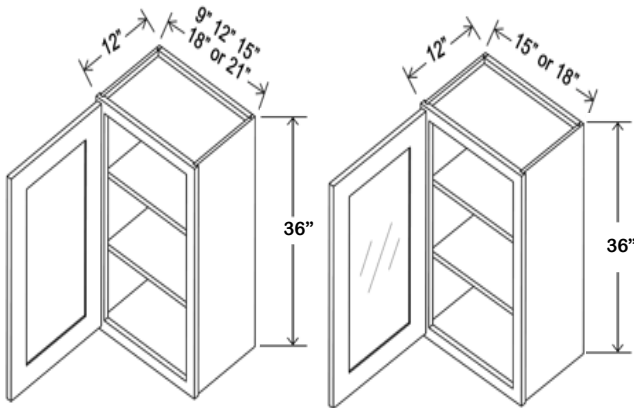


Cabinet	Width	Height	Depth
FSB36	36	34-1/2	24
FSB36	<ul style="list-style-type: none"> • No shelf • Butt doors • Accommodates farm sinks or deep range top. • Front apron trimmable on site to fit sink or appliance manufacturer's specifications 		

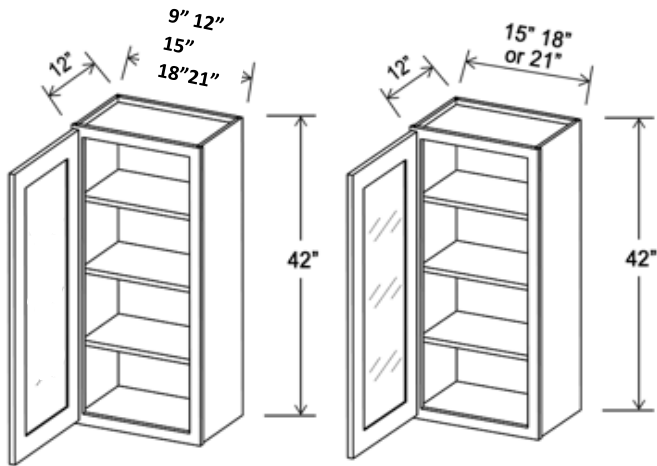
Wall Cabinet 30"H, 36", 42"H – Single Door AND Optional with Glass Doors



****GD = Glass Door**



****GD = Glass Door**



****GD = Glass Door**

Cabinet	Width	Height	Depth
W0930	9	30	12
W1230	12	30	12
W1530 **	15	30	12
W1830 **	18	30	12
W2130	21	30	12

- Two adjustable full depth shelves
- Hinging not specified. Invert cabinet for hinge preference.

****OPTIONAL: Open Framed Clear Glass Cabinet- GD**

W1530GD	15	30	12
W1830GD	18	30	12

- Two adjustable full depth shelves
- Includes one clear glass insert.
- Glass shelves sold separately. See last page of price list.

Cabinet	Width	Height	Depth
W0936	9	36	12
W1236	12	36	12
W1536 **	15	36	12
W1836 **	18	36	12
W2136	21	36	12

- Two adjustable full depth shelves
- Hinging not specified. Invert cabinet for hinge preference.

****OPTIONAL: Open Framed Clear Glass Cabinet- GD**

W1536GD	15	36	12
W1836GD	18	36	12

- Two adjustable full depth shelves
- Includes one clear glass insert.
- Glass shelves sold separately. See last page of price list.

Cabinet	Width	Height	Depth
W0942	9	42	12
W1242	12	42	12
W1542**	15	42	12
W1842**	18	42	12
W2142	21	42	12

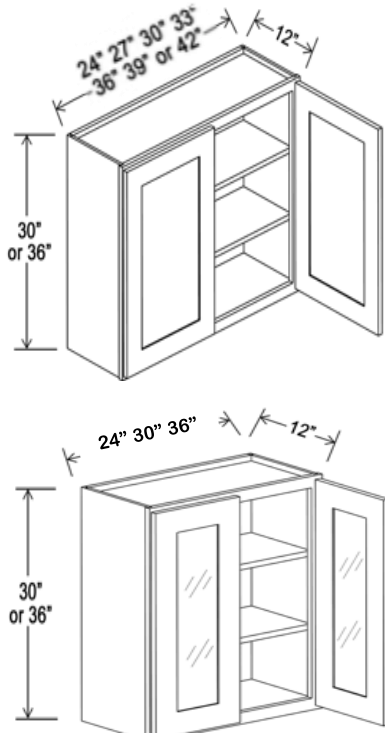
- Three adjustable full depth shelves
- Hinging not specified. Invert cabinet for hinge preference.

****OPTIONAL: Open Framed Clear Glass Cabinet- GD**

W1542GD	15	42	12
W1842GD	18	42	12

- Three adjustable full depth shelves
- Includes one clear glass insert.
- Glass shelves sold separately. See last page of price list.

Wall Cabinet 30",36" – Double Door AND Optional with Glass Doors



****GD = Glass Door**

Cabinet	Width	Height	Depth
W2430**	24	30	12
W2436**		36	
W2730	27	30	12
W2736		36	
W3030**	30	30	12
W3036**		36	
W3330	33	30	12
W3336		36	
W3630**	36	30	12
W3636**		36	
W3930	39	30	12
W3936		36	
W4230	42	30	12
W4236		36	

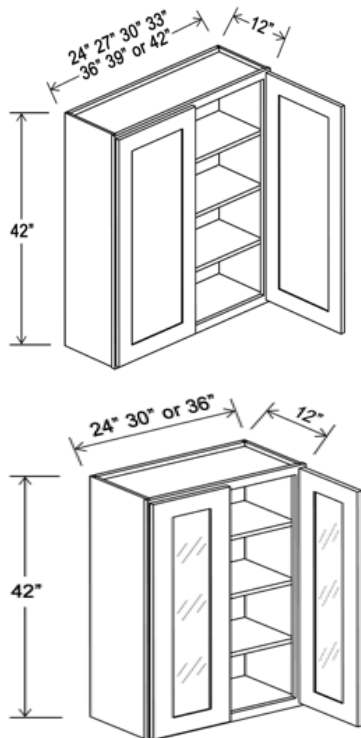
- Two adjustable full depth shelves
- Butt doors

**OPTIONAL: Open Framed Clear Glass Cabinet- GD

Cabinet	Width	Height	Depth
W2430GD	24	30	12
W2436GD		36	
W3030GD	30	30	12
W3036GD		36	
W3630GD	36	30	12
W3636GD		36	

- Two adjustable full depth shelves
- Butt doors
- Includes two clear glass inserts.
- Glass shelving sold separately. See last page of price list.

Wall Cabinet 42"H – Double Door AND Optional with Glass Doors



****GD = Glass Door**

Cabinet	Width	Height	Depth
W2442**	24	42	12
W2742	27	42	12
W3042**	30	42	12
W3342	33	42	12
W3642**	36	42	12
W3942	39	42	12
W4242	42	42	12

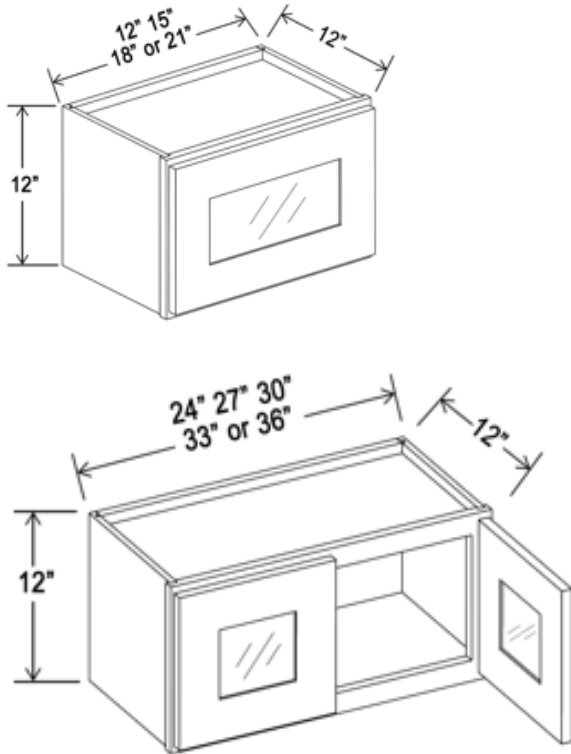
- Three adjustable full depth shelves
- Butt doors
- Hinging not specified. Cabinet to be inverted for hinge preference.

**OPTIONAL: Open Framed Clear Glass Cabinet- GD

Cabinet	Width	Height	Depth
W2442GD	24	42	12
W3042GD	30	42	12
W3642GD	36	42	12

- Three adjustable full depth shelves
- Butt doors
- Includes two clear glass inserts.
- Glass shelving sold separately. See last page of price list.

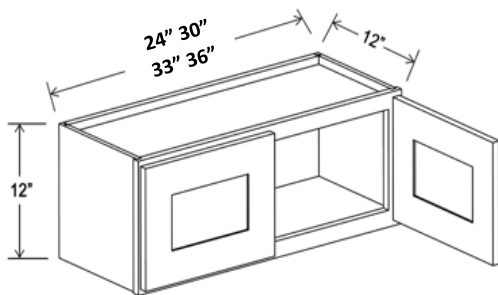
Wall Cabinet 12" H/12" D – FOR STACKING – Open Framed Door with Clear Glass Insert



****GD** = Glass Door

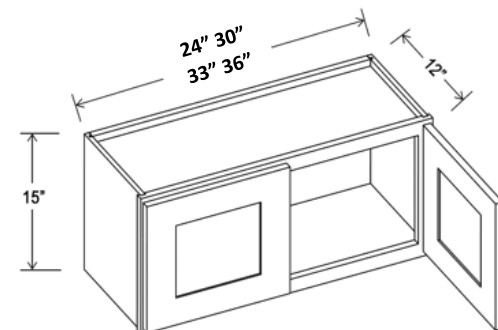
Cabinet	Width	Height	Depth
W1212GD**	12	12	12
W1512GD**	15	12	12
W1812GD**	18	12	12
W2112GD**	21	12	12
<ul style="list-style-type: none"> No shelf Includes Clear glass insert(s). (**) = Hinging not specified. Invert cabinet for hinge preference. 			
W2412GD +	24	12	12
W2712GD +	27	12	12
W3012GD +	30	12	12
W3312GD +	33	12	12
W3612GD +	36	12	12
<ul style="list-style-type: none"> No shelf Includes Clear glass insert(s). (+) = Butt doors 			

Wall Bridge Cabinet 12" H/12" D – Double Doors



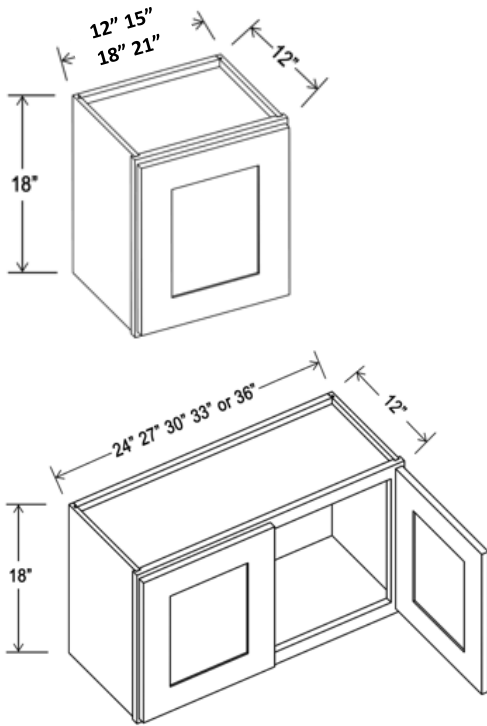
Cabinet	Width	Height	Depth
W2412	24	12	12
W3012	30	12	12
W3312	33	12	12
W3612	36	12	12
<ul style="list-style-type: none"> No shelf Butt Doors 			

Wall Bridge Cabinet 15"H/12" D – Double Doors



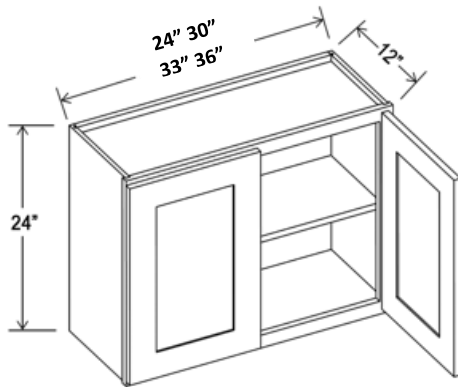
Cabinet	Width	Height	Depth
W2415	24	15	12
W3015	30	15	12
W3315	33	15	12
W3615	36	15	12
<ul style="list-style-type: none"> No shelf Butt Doors 			

Wall Cabinet 18" H / 12" D – Single and Double Doors



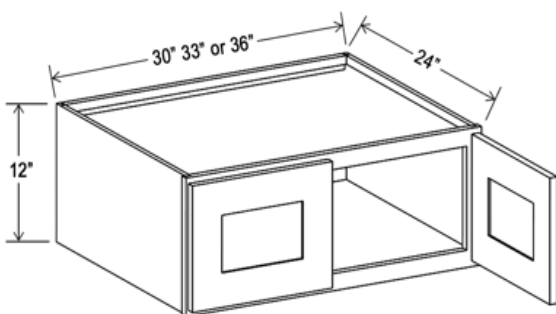
Cabinet	Width	Height	Depth
W1218	12	18	12
W1518	15	18	12
W1818	18	18	12
W2118	21	18	12
<ul style="list-style-type: none"> No shelf Hinging not specified. Invert cabinet for hinge preference. 			
W2418	24	18	12
W2718	27	18	12
W3018	30	18	12
W3318	33	18	12
W3618	36	18	12
<ul style="list-style-type: none"> No shelf Butt doors 			

Wall Cabinet 24" H – 12" D Double Doors



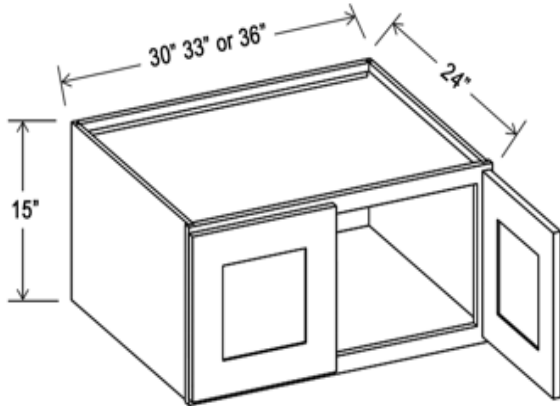
Cabinet	Width	Height	Depth
W2424	24	24	12
W3024	30	24	12
W3324	33	24	12
W3624	36	24	12
<ul style="list-style-type: none"> One adjustable shelf Butt doors 			

Deep Wall Cabinet 12" H / 24" D – Double Doors



Cabinet	Width	Height	Depth
W301224	30	12	24
W331224	33	12	24
W361224	36	12	24
<ul style="list-style-type: none"> No shelf Butt doors 			

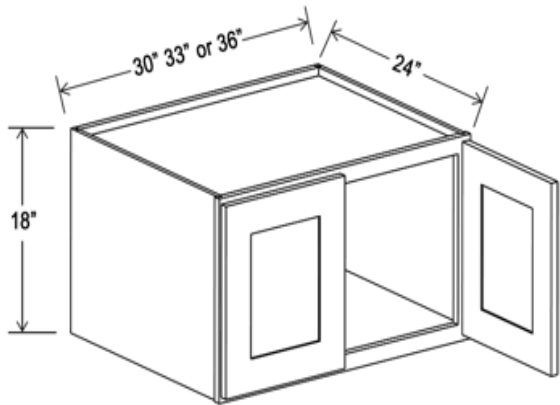
Deep Wall Cabinet 15" H / 24" D – Double Doors



Cabinet	Width	Height	Depth
W301524	30	15	24
W331524	33	15	24
W361524	36	15	24

- No shelf
- Butt doors

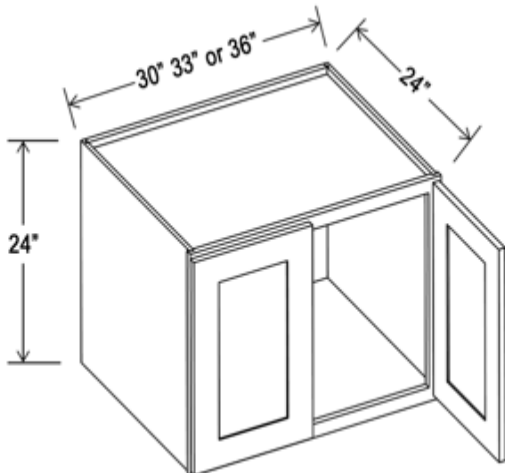
Deep Wall Cabinet 18" H / 24" D – Double Doors



Cabinet	Width	Height	Depth
W301824	30	18	24
W331824	33	18	24
W361824	36	18	24

- No shelf
- Butt doors

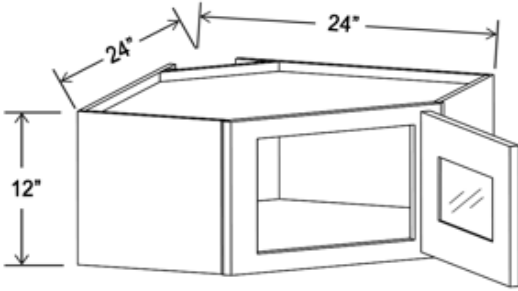
Deep Wall Cabinet 24" H / 24" D – Double Doors



Cabinet	Width	Height	Depth
W302424	30	24	24
W332424	33	24	24
W362424	36	24	24

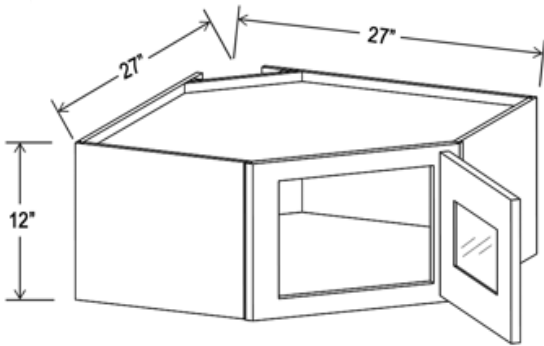
- No shelf
- Butt doors

Wall Diagonal Corner Cabinet 12”H – FOR STACKING - Open Framed Door with Clear Glass Insert



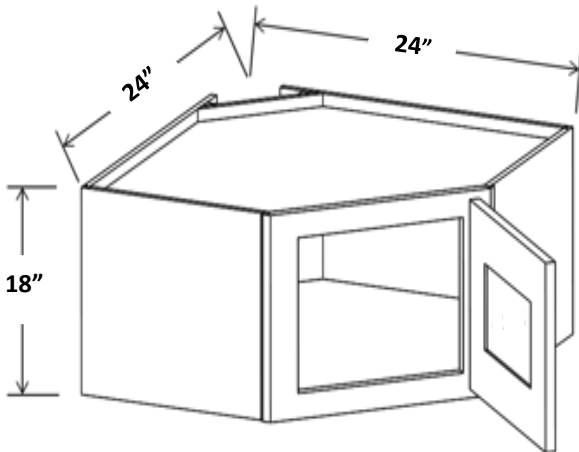
Cabinet	Width	Height	Depth
DCW2412GD	24	12	24 ¹²
<ul style="list-style-type: none"> No shelf Includes Clear glass insert(s) Hinging not specified. Invert cabinet for hinge preference 			

Wall Diagonal Corner Cabinet 12”H – FOR STACKING - Open Framed Door with Clear Glass Insert



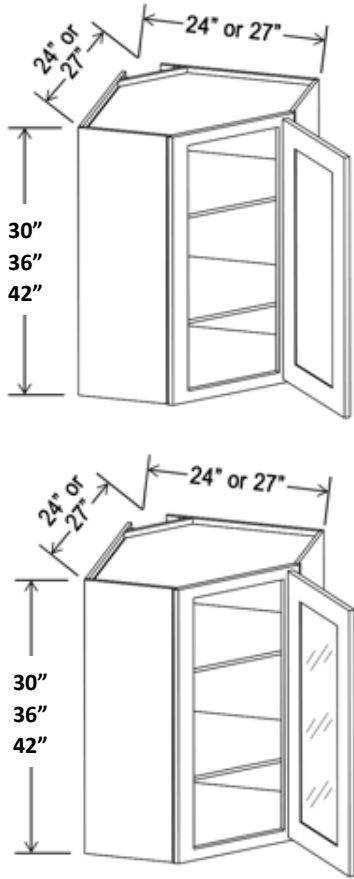
Cabinet	Width	Height	Depth
DCW2712GD	27	12	15
<ul style="list-style-type: none"> No shelf Includes Clear glass insert(s) Hinging not specified. Invert cabinet for hinge preference 			

Wall Diagonal Corner Cabinet - 18” H



Cabinet	Width	Height	Depth
DCW2418	24	18	12
<ul style="list-style-type: none"> No shelf Hinging not specified. Invert cabinet for hinge preference 			

Wall Diagonal Corner Cabinet - 30" H, 36", 42" H



****GD = Glass Door**

Cabinet	Width	Height	Depth
DCW2430**	24	30	12
DCW2730** +	27	30	15
DCW2436**	24	36	12
DCW2736** +	27	36	15
DCW2442**	24	42	12
DCW2742** +	27	42	15

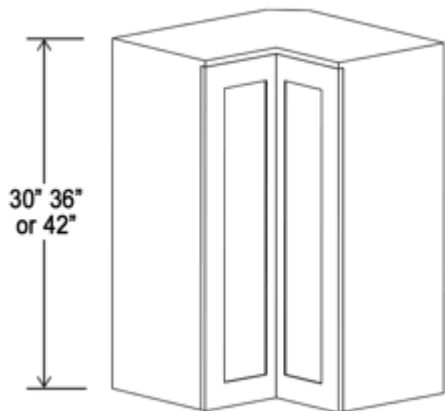
- Two adjustable shelves in 30" H & 36" H
- Three adjustable shelves in 42" H
- Hinging not specified. Invert cabinet for hinge preference.

****OPTIONAL: Open Framed Clear Glass Cabinet- GD**

Cabinet	Width	Height	Depth
DCW2430GD	24	30	12
DCW2730GD +	27	30	15
DCW2436GD	24	36	12
DCW2736GD +	27	36	15
DCW2442GD	24	42	12
DCW2742GD +	27	42	15

- Two adjustable shelves in 30" H & 36" H
- Three adjustable shelves in 42" H
- Hinging not specified. Invert cabinet for hinge preference
- Glass shelving sold separately. See last page of price list.

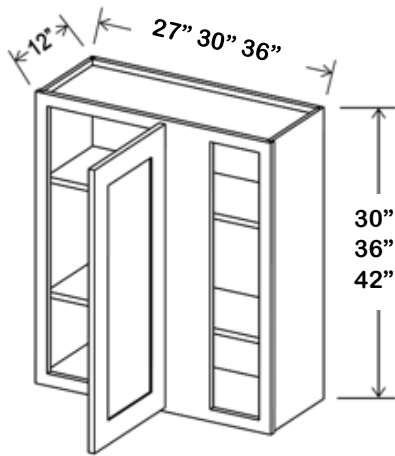
Wall Corner Easy Reach Cabinet - 30", 36", 42" H



Cabinet	Width	Height	Depth
WER2430	24	30	12
WER2436	24	36	12
WER2442	24	42	12

- Two adjustable shelves for 30" & 36" H
- Three adjustable shelves for 42" H
- Hinging not specified. Invert cabinet for hinge preference.

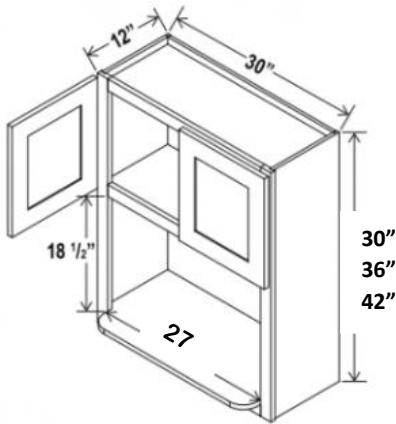
Wall Blind Corner Cabinet – 30", 36", 42" H



Cabinet	Width	Height	Depth
WBC2730	27	30	12
WBC3030	30	30	12
WBC3630	36	30	12
WBC2736	27	36	12
WBC3036	30	36	12
WBC3636	36	36	12
<ul style="list-style-type: none"> Two adjustable shelves Refer to chart below for specifications. 			
WBC2742	27	42	12
WBC3042	30	42	12
WBC3642	36	42	12
<ul style="list-style-type: none"> Three adjustable shelves Refer to chart below for specifications 			

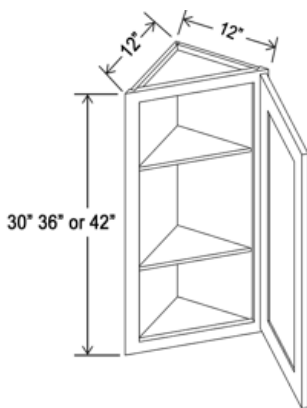
Model	Door opening	Door Width	Minimum Installed Space	Maximum Pull	Maximum Installed Space
WBC27xx	9"	12"	27"	3"	30"
WBC30xx	12"	15"	30"	3"	33"
WBC36xx	18"	21"	36"	3"	39"

Specialty – Wall Microwave Cabinet 30", 36" 42" H



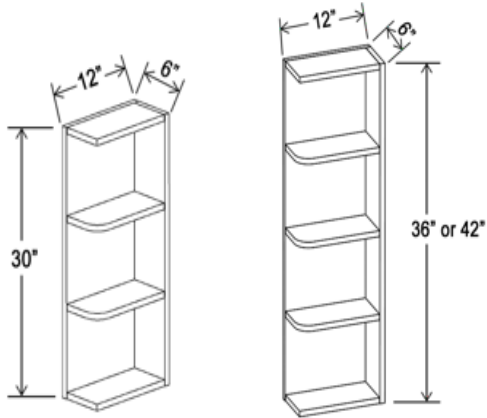
Cabinet	Width	Height	Depth
MO3030	30	30	12
MO3036	30	36	12
MO3042	30	42	12
<ul style="list-style-type: none"> No shelf in upper portion Butt doors Designed to accommodate countertop style microwave 			

Specialty – Angled Wall Cabinet 30", 36", 42" H



Cabinet	Width	Height	Depth
AW1230	12	30	12
AW1236	12	36	12
AW1242	12	42	12
<ul style="list-style-type: none"> Requires 12" x 12" space. Two adjustable shelves in 30" H & 36" H Three adjustable shelves in 42" H 			

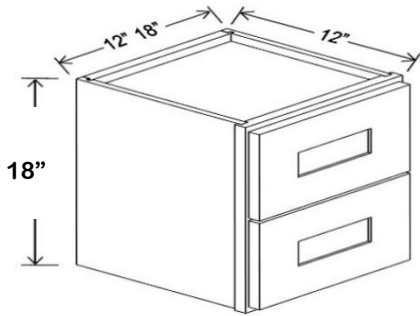
Specialty – Wall Open End Shelf Cabinet 30", 36", 42" H



Cabinet	Width	Height	Depth
OE630	6	30	12
OE636	6	36	12
OE642	6	42	12

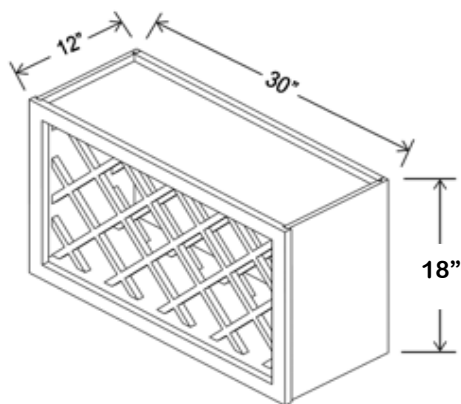
- Square Top & Bottom shelves
- 30"H has two shelves
- 36"H and 42"H has three shelves

Specialty – Wall Two-Drawer Cabinet



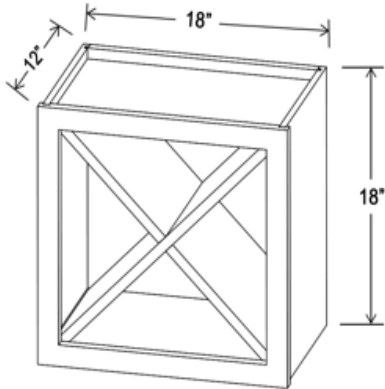
Cabinet	Width	Height	Depth
W2D12	12	18	12
W2D18	18	18	12

Specialty – Wall Wine Rack Cabinet 18" H



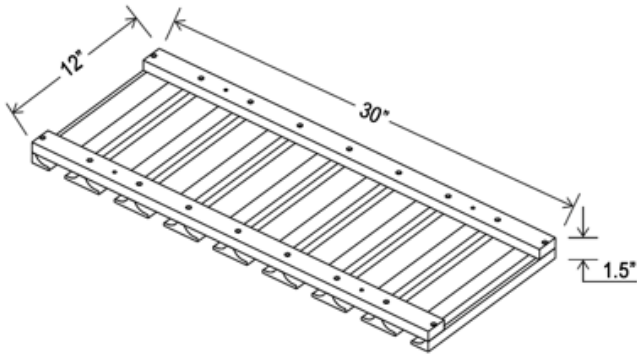
Cabinet	Width	Height	Depth
WRC3018	30	18	12

Specialty – Wall Wine Storage Cube 18" H



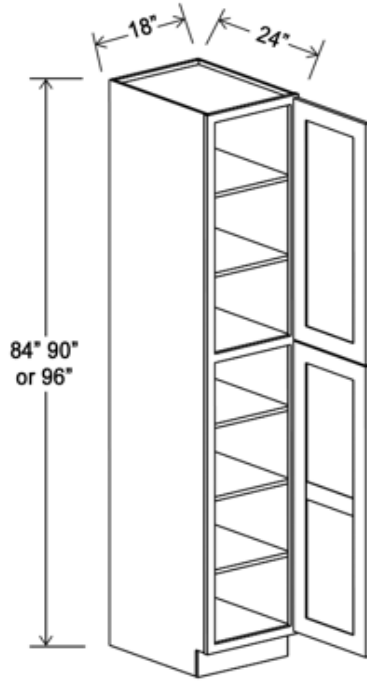
Cabinet	Width	Height	Depth
WXR1818	18	18	12

Specialty – Stem Glass Holder



Cabinet	Width	Height	Depth
SGH30	30	1.5	12

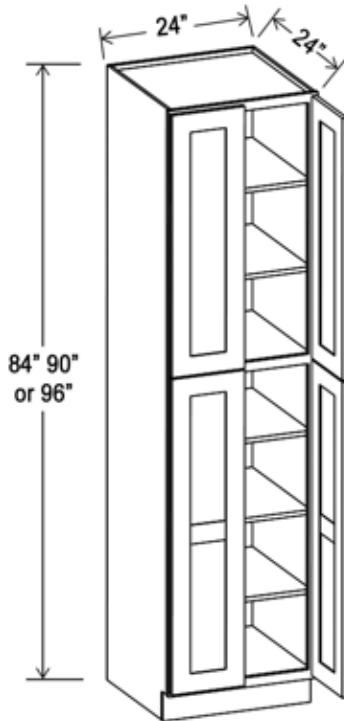
Tall Cabinet – Utility Two-Doors 84", 90", 96" H



Cabinet	Width	Height	Depth
U188424	18	84	24
U189024	18	90	24
U189624	18	96	24

- Three adjustable shelves in the lower section.
- Two adjustable shelves in the upper section
- Specify Hinge left or right

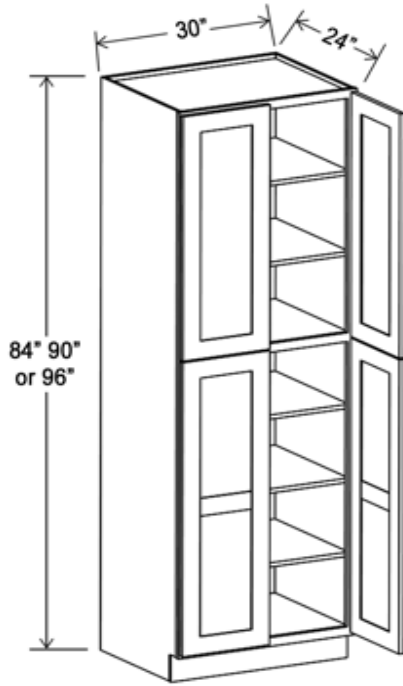
Tall Cabinet – Utility Four-Doors 84", 90", 96" H



Cabinet	Width	Height	Depth
U248424	24	84	24
U249024	24	90	24
U249624	24	96	24

- Three adjustable shelves in the lower section.
- Two adjustable shelves in the upper section.
- Butt doors

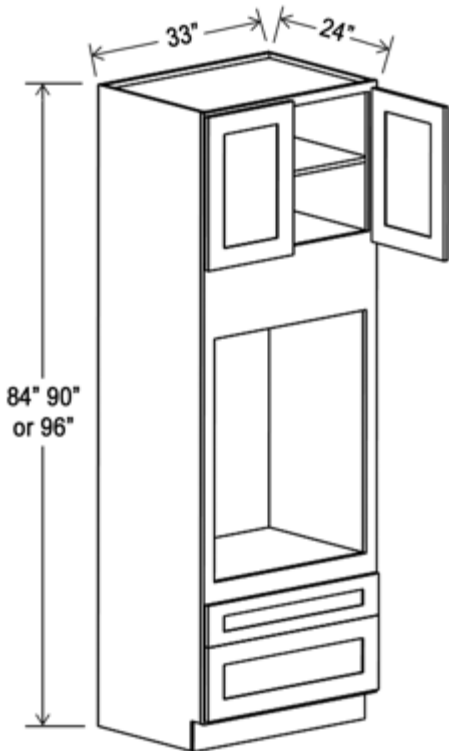
Tall Cabinet – Utility Four-Doors 84", 90", 96" H



Cabinet	Width	Height	Depth
U308424	30	84	24
U309024	30	90	24
U309624	30	96	24

- Three adjustable shelves in the lower section.
- Two adjustable shelves in the upper section.
- Butt doors

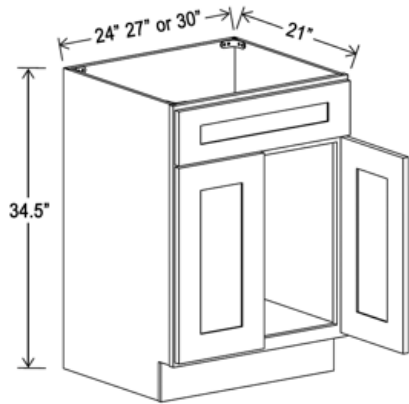
Tall Cabinet – Oven cabinet



Cabinet	Width	Height	Depth
O338424	30	84	24
O339024	30	90	24
O339624	30	96	24

- Butt doors
- Min. Cutout Size: 29" W x 36-1/2"H
- Max. Cutout Size: 31" W x 54"H

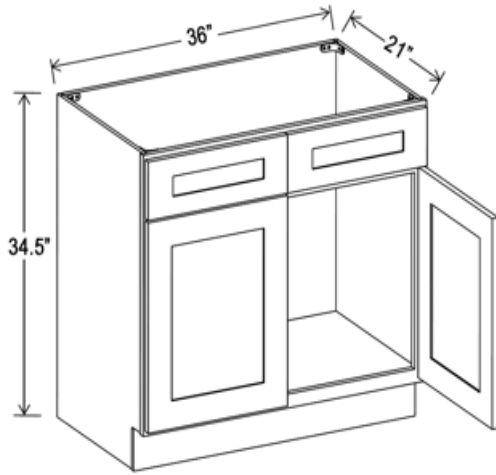
Vanity Sink Base Cabinet - Two Doors, One False Drawer Front



Cabinet	Width	Height	Depth
VS24	24	34-1/2	21
VS27	27	34-1/2	21
VS30	30	34-1/2	21

- No shelf
- Butt doors
- Full height back

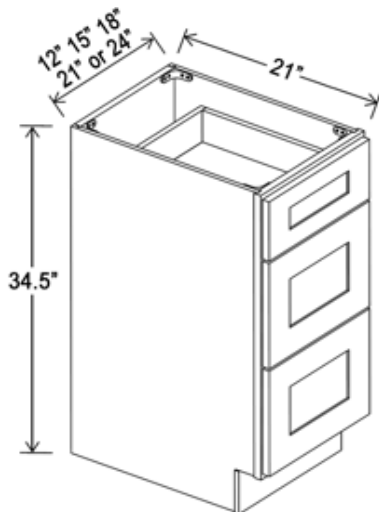
Vanity Sink Base Cabinet - Two Doors, Two False Drawer Front



Cabinet	Width	Height	Depth
VS36	24	34-1/2	21

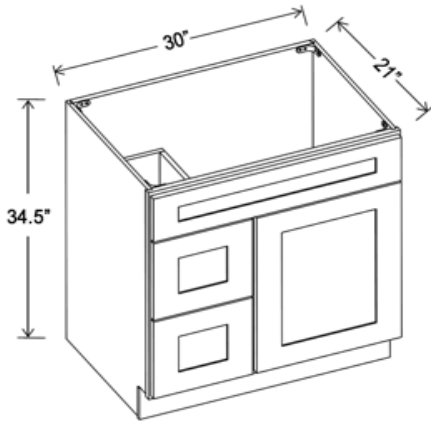
- No shelf
- Butt doors
- Full height back

Vanity Drawer Base – Three Drawers



Cabinet	Width	Height	Depth
3VDB12	12	34-1/2	21
3VDB15	15	34-1/2	21
3VDB18	18	34-1/2	21
3VDB21	21	34-1/2	21
3VDB24	24	34-1/2	21

Vanity Combo Base – Two Drawers, One Door, One False Drawer Front

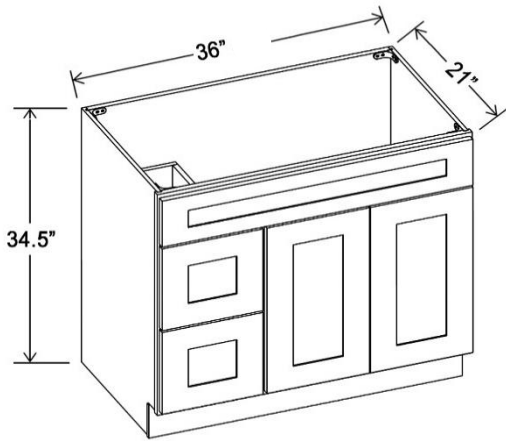


= DL Shown

Cabinet	Width	Height	Depth
V3021DL	12	34-1/2	21
V3021DR	15	34-1/2	21

- No shelf
- Full height back
- Cabinet shown is DL indicating drawers on the left side.
- Allow for plumbing placement to clear drawers

Vanity Combo Base – Two Doors, Two Drawers, One False Drawer Front

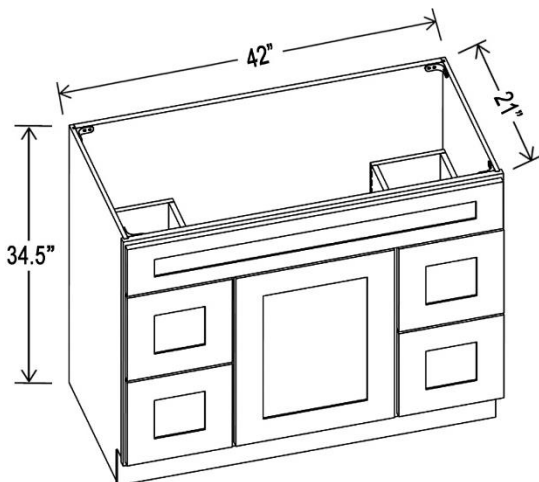


= DL Shown

Cabinet	Width	Height	Depth
V3621DL	36	34-1/2	21
V3621DR	36	34-1/2	21

- No shelf
- Full height back
- Butt doors
- Cabinet shown is DL indicating drawers on the left side of cabinet.
- Allow for plumbing placement to clear drawers

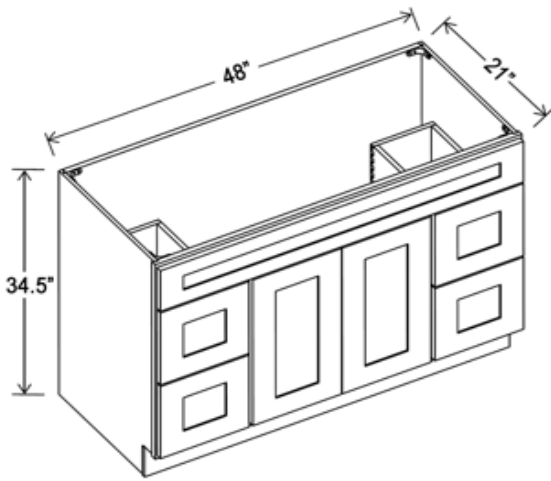
Vanity Combo Base – One Door, Four Drawers, One False Drawer Front



Cabinet	Width	Height	Depth
VSD42-4	42	34-1/2	21

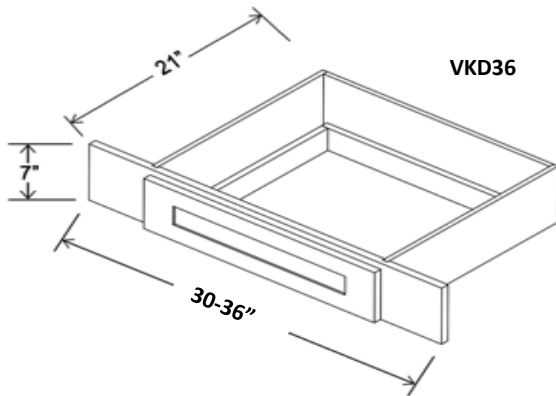
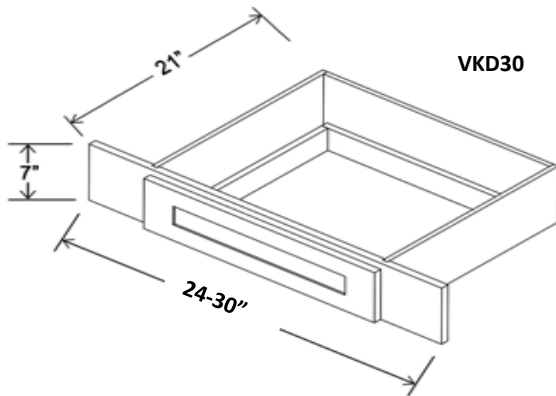
- No shelf
- Full height back
- Allow for plumbing placement to clear drawers

Vanity Combo Base – Two Doors, Four Drawers, One False Drawer Front



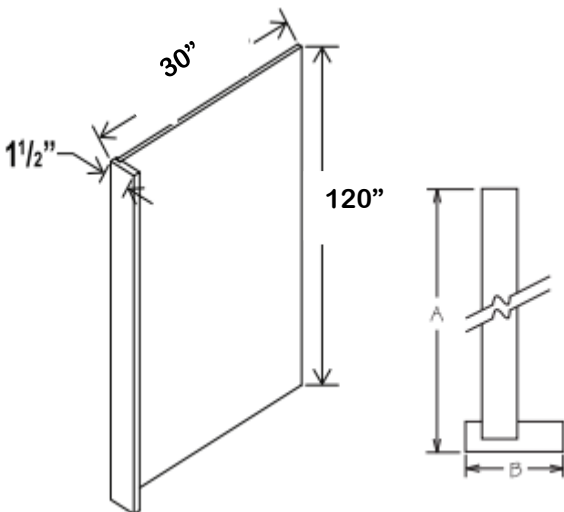
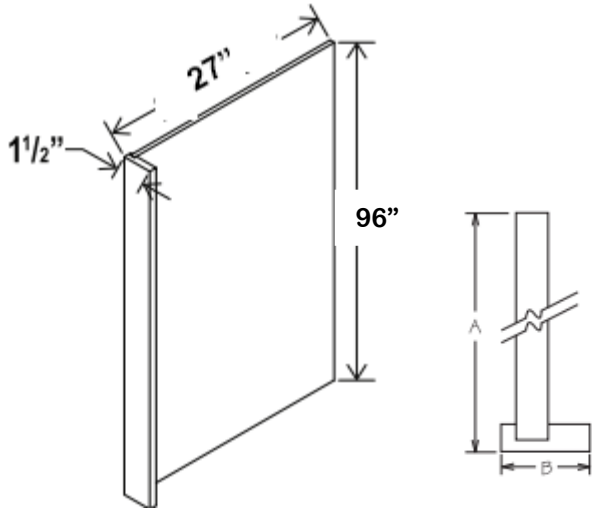
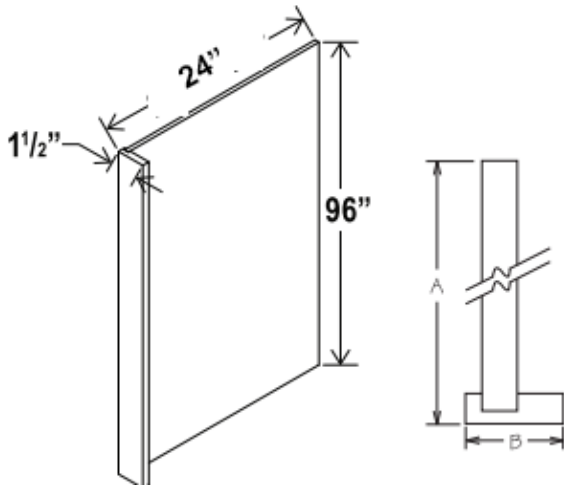
Cabinet	Width	Height	Depth
VSD48-4	48	34-1/2	21
<ul style="list-style-type: none"> No shelf Full height back Butt doors Allow for plumbing placement to clear drawers 			

Vanity Knee Drawer



Cabinet	Width	Height	Depth
VKD30	30	7	21
<ul style="list-style-type: none"> Trimmable up to 3" on each end to 24"W 			
VKD36	36	7	21
<ul style="list-style-type: none"> Trimmable up to 3" on each end to 30"W 			

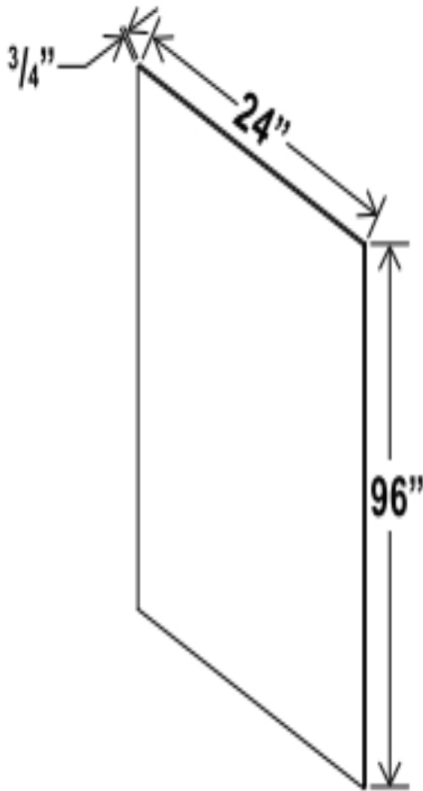
Refrigerator End Panels



Cabinet	Width (B)	Height	Depth (A)
REPV2496	1-1/2	96	24
REPV2796	1-1/2	96	27
REPV30120	1-1/2	120	30

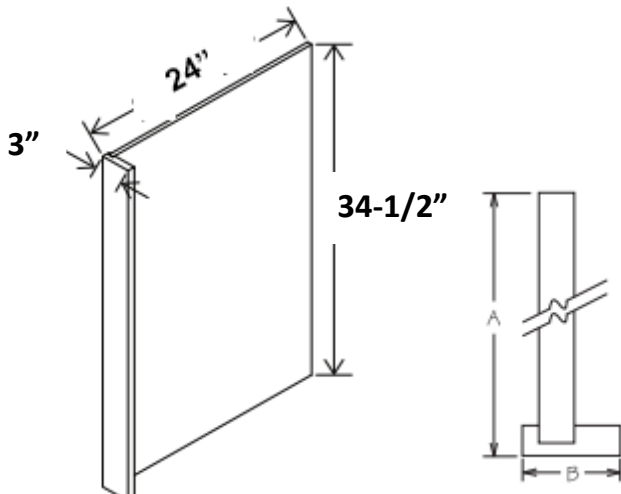
- Assemble on site.
- Reversible for left or right installation
- Features 1/2" plywood finished on both interior and exterior to match.
- Field trimmable in height, can be notched for toekick

Shelf Panel – 3/4" Thick



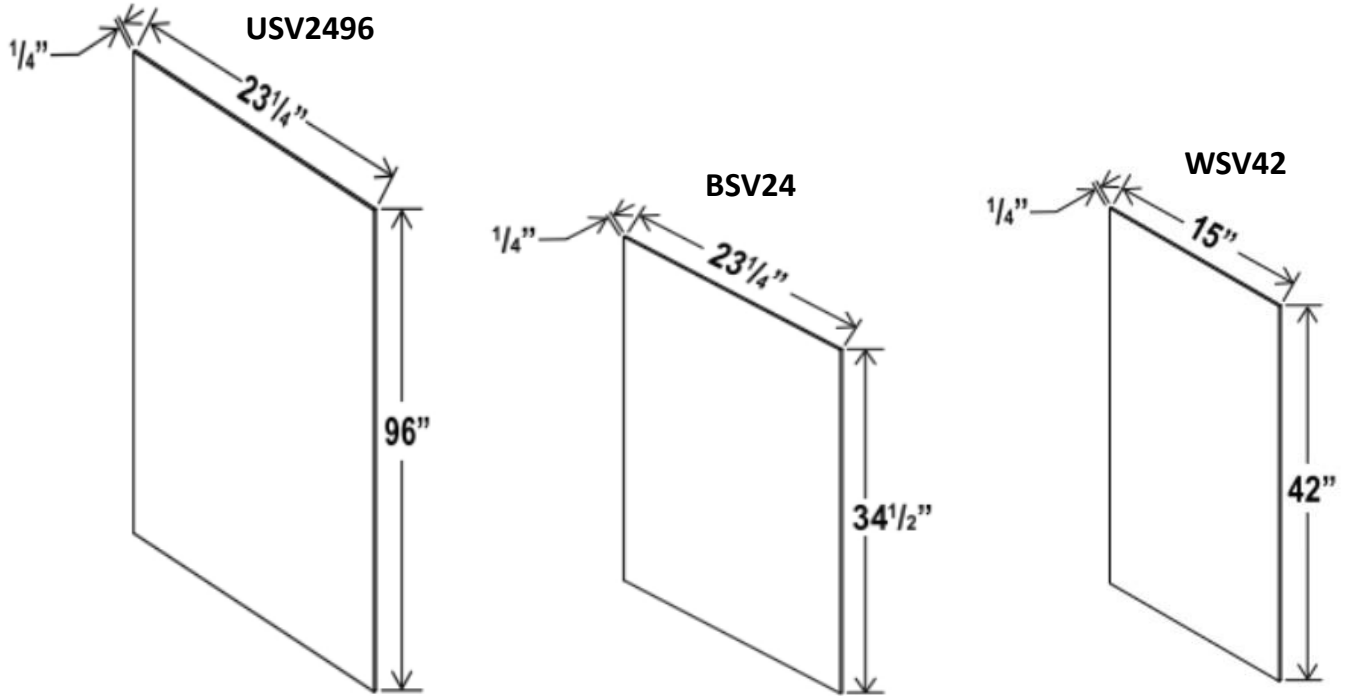
Cabinet	Width	Height	Depth
S2496	24	96	3/4
<ul style="list-style-type: none"> Finished on both interior and exterior to match. Edge-banded on all four edges. Field trimmable – can be notched for toekick 			

Dishwasher Return Panel



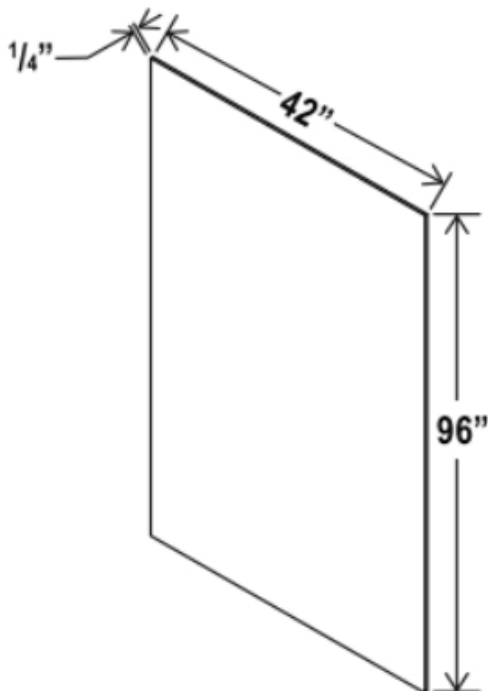
Cabinet	Width (B)	Height	Depth (A)
DWR3	3	34-1/2	24
<ul style="list-style-type: none"> Assemble on site. Reversible for left or right installation Features 1/2" plywood finished on both interior and exterior to match. Field trimmable - can be notched for toekick 			

Skin Veneers - 1/4" Thick



Cabinet	Width	Height	Depth
USV2496	23-1/4	96	1/4
BSV24	23-1/4	34-1/2	1/4
WSV42	15	42	1/4

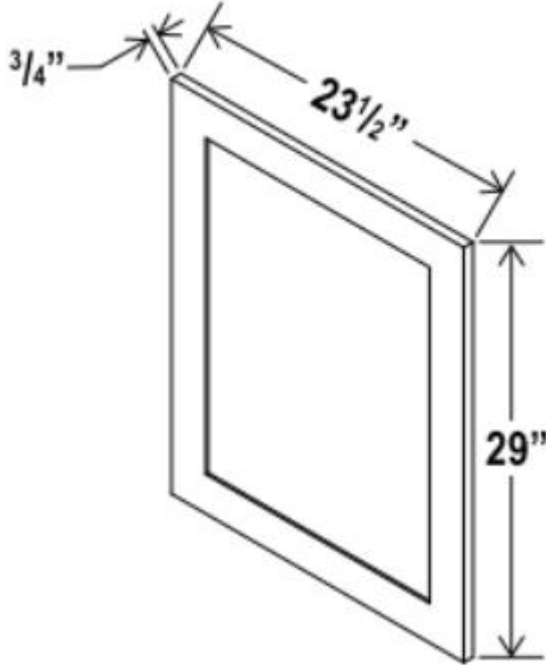
Finished Panel - 1/4" Thick



Cabinet	Width	Height	Depth
FPV4296	96	42	1/4
BBFPV4296	96	42	1/4

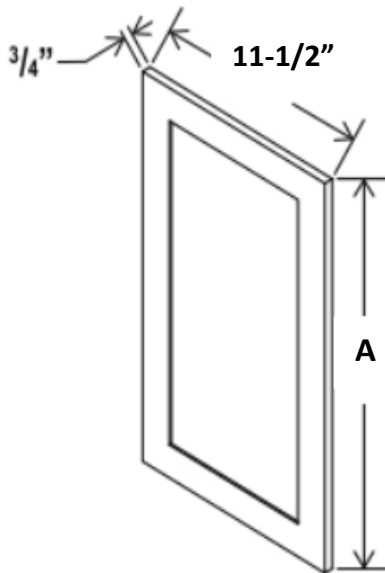
- Finished on one side to match cabinetry.
- BB = Beadboard Finished Panel

Decorative End Panels- Base



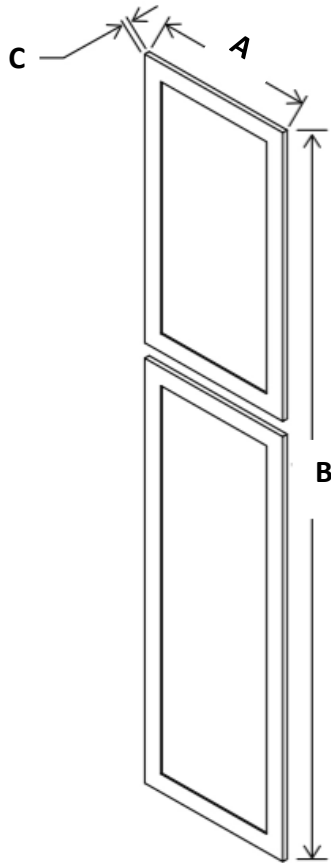
Cabinet	Width	Height	Depth
BDEP24	23-1/2	29	3/4
<ul style="list-style-type: none"> Attaches to exposed side of base cabinet. Matches style and finish of cabinet doors 			

Decorative End Panels- Wall



Cabinet	Width	Height (A)	Depth
WDEP12	11-1/2	11	3/4
WDEP18	11-1/2	17	3/4
WDEP30	11-1/2	29	3/4
WDEP36	11-1/2	35	3/4
WDEP42	11-1/2	41	3/4
<ul style="list-style-type: none"> Attaches to exposed side of wall cabinet. Matches style and finish of cabinet doors 			

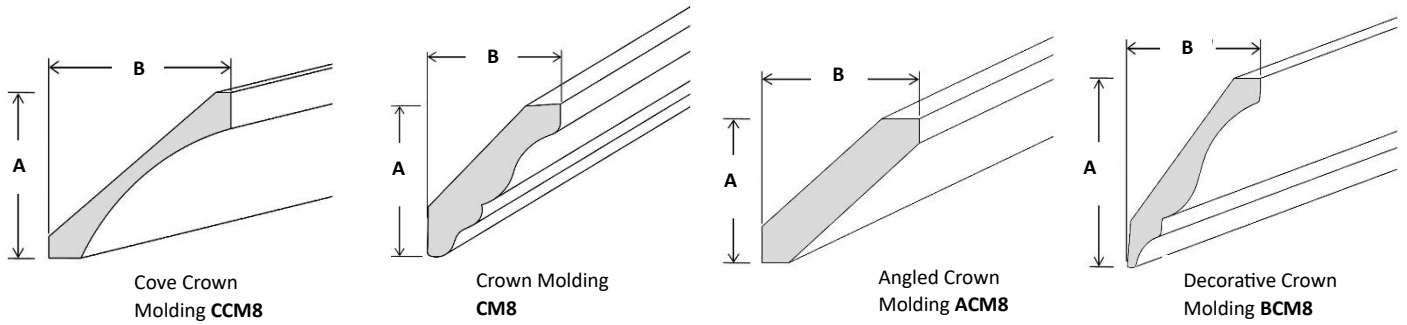
Decorative End Panels- Tall



Cabinet	Width (A)	Height (B)	Depth (C)
TDEP84	23-1/2	78-1/2	3/4
TDEP90	23-1/2	84-1/2	3/4
TDEP96	23-1/2	90-1/2	3/4

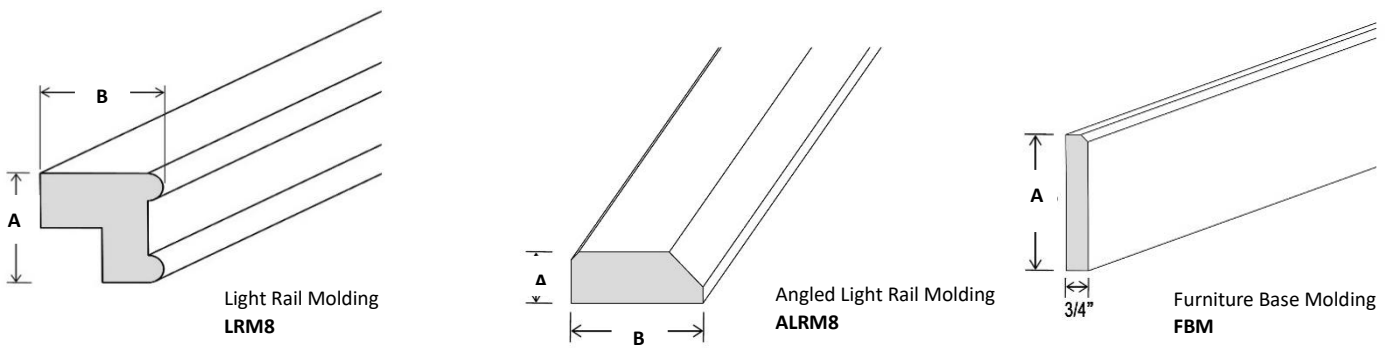
- Attaches to exposed side of utility and oven cabinet.
- Matches style and finish of cabinet doors

Crown Moldings



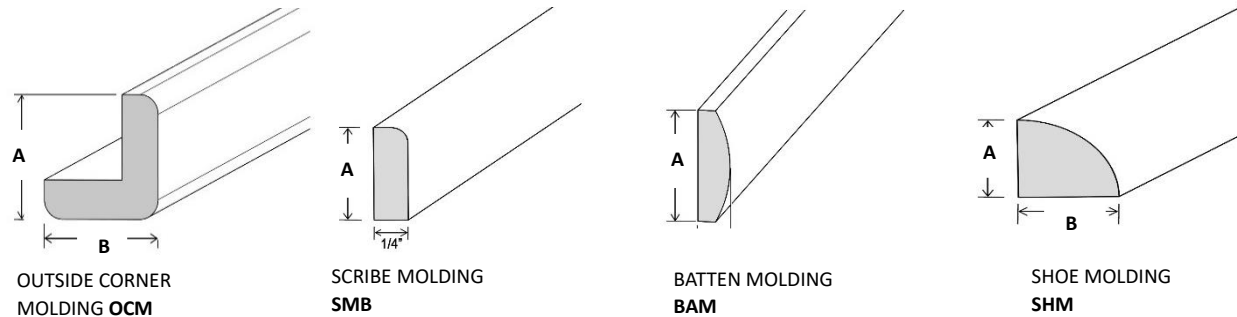
Cabinet	Width	Height (A)	Depth (B)
CCM8	96	3-15/16	3-1/4
CM8	96	2-1/8	1-7/8
ACM8	96	1-7/8	1-7/8
BCM8	96	3-7/16	2-3/4

Decorative Moldings



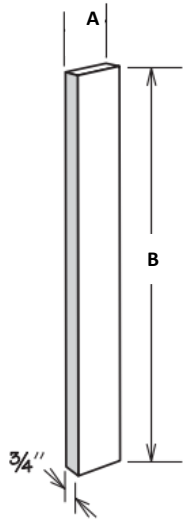
Cabinet	Width	Height (A)	Depth (B)
LRM8	96	2-1/4	1-1/2
ALRM8	96	13/16	2-1/16
FBM	96	4-1/2	3/4

Trim Moldings



Cabinet	Width	Height (A)	Depth (B)
OCM	96	3/4	3/4
SMB	96	3/4	1/4
BAM	96	3/4	1/4
SHM	96	11/16	11/16

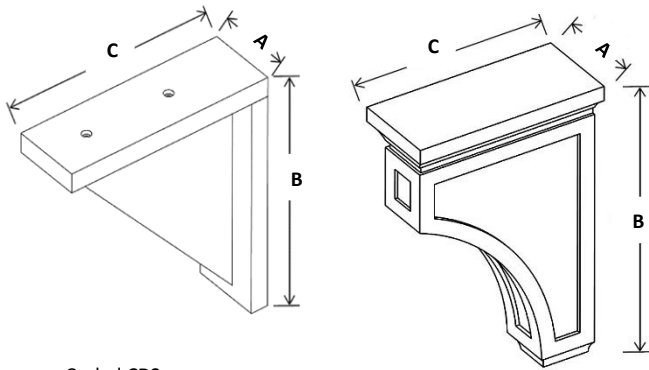
Fillers



Cabinet	Width (A)	Height (B)	Depth
F342	3	42	3/4
F396	3	96	3/4
F3108	3	108	3/4
F642	6	42	3/4
F696	6	96	3/4
F6108	6	108	3/4

- Field trimmable
- Finished on one side and two long edges

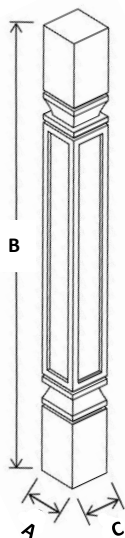
Corbels



Corbel CB9

Cabinet	Width (A)	Height (B)	Depth (C)
CB9	3	9	9
MCB	3-5/8	12-5/16	7-15/16

Posts



Cabinet	Width (A)	Height (B)	Depth (C)
SQDL	3	34-1/2	3

Valance

Cabinet	Width (A)	Height (B)	Depth
VA36	36	5-1/2	3/4
VA48	48	5-1/2	3/4

- Field trimmable 3" on each end

Toekick

Cabinet	Width (A)	Height (B)	Depth
TKC	96	4-1/2	1/4

Rollout Trays

Cabinet	Width (A)	Height	Depth
RT-RS15	FITS B15	3-3/8	21
RT-RS18	FITS B18/U18	3-3/8	21
RT-RS21	FITS B21	3-3/8	21
RT-RS24	FITS B24/U24	3-3/8	21
RT-RS27	FITS B27	3-3/8	21
RT-RS30	FITS B30/U30	3-3/8	21
RT-RS33	FITS B33	3-3/8	21
RT-RS36	FITS B36	3-3/8	21

- Field assembly and installation accessory
- Assembly available at assembly surcharge, per RT
- Includes trays, glides, and hardware

Touch Up Kit / Spray Paint

Cabinet	Width	Height	Depth
TUK	N/A	N/A	N/A
SPAIN	N/A	N/A	N/A

- Please specify color when ordering
- TUK includes (1) Touch-up marker and (1) Wax crayon.
- Touch up marker – adds color to minor surface scratches.
- Wax crayon – for filling minor dents, gouges, and scratches

Touch Up Kit **TUK** Spray Paint **SPAIN**