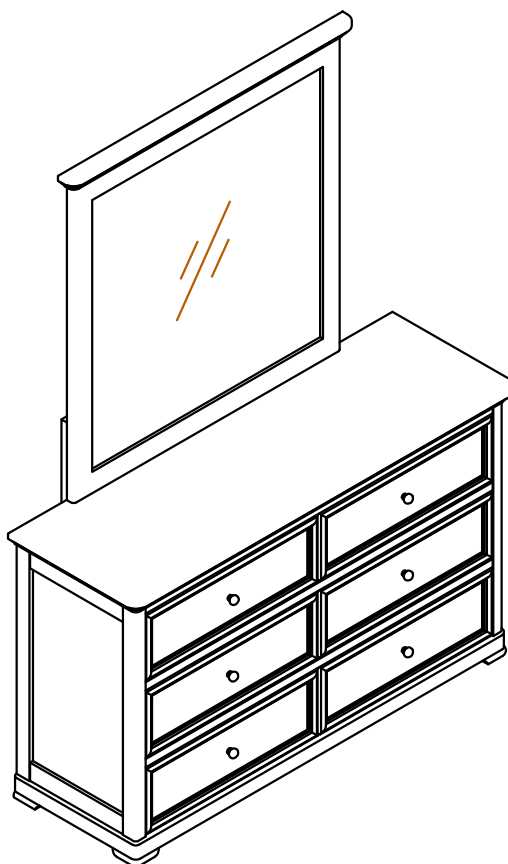


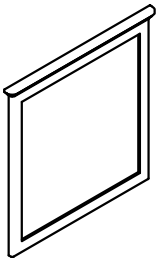
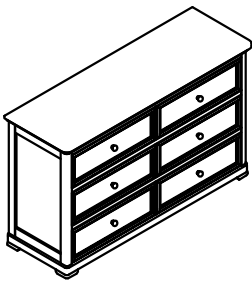
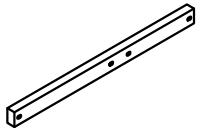


DRESSING TABLE & MIRROR





ASSEMBLY INSTRUCTIONS



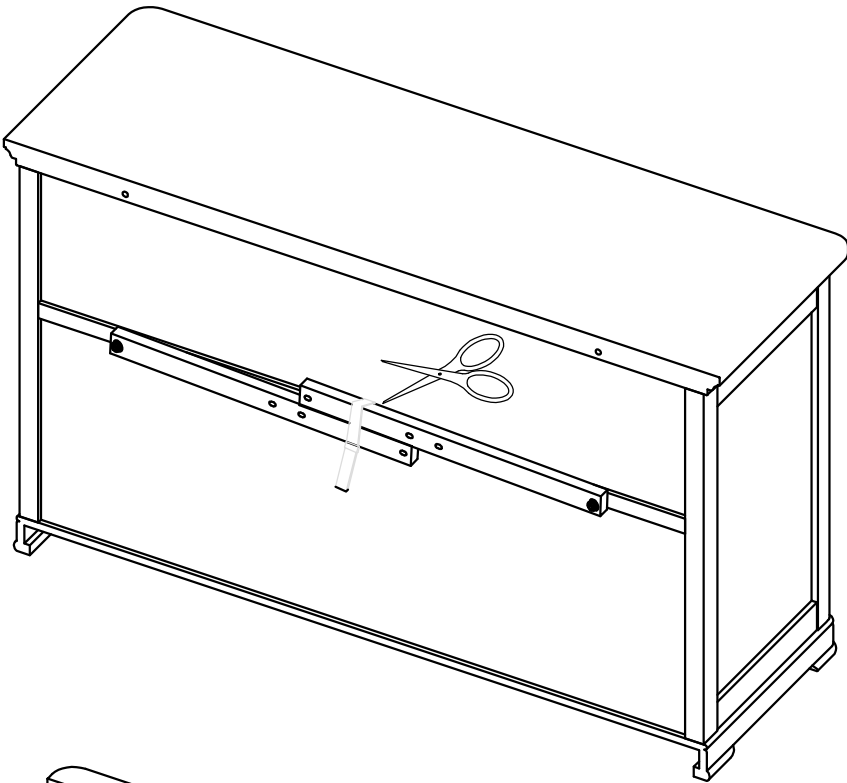
PARTS LIST

<p>1</p>  <p>1</p>	<p>2</p>  <p>1</p>	<p>3</p>  <p>(pre-installed on frame)</p> <p>2</p>
---	---	---

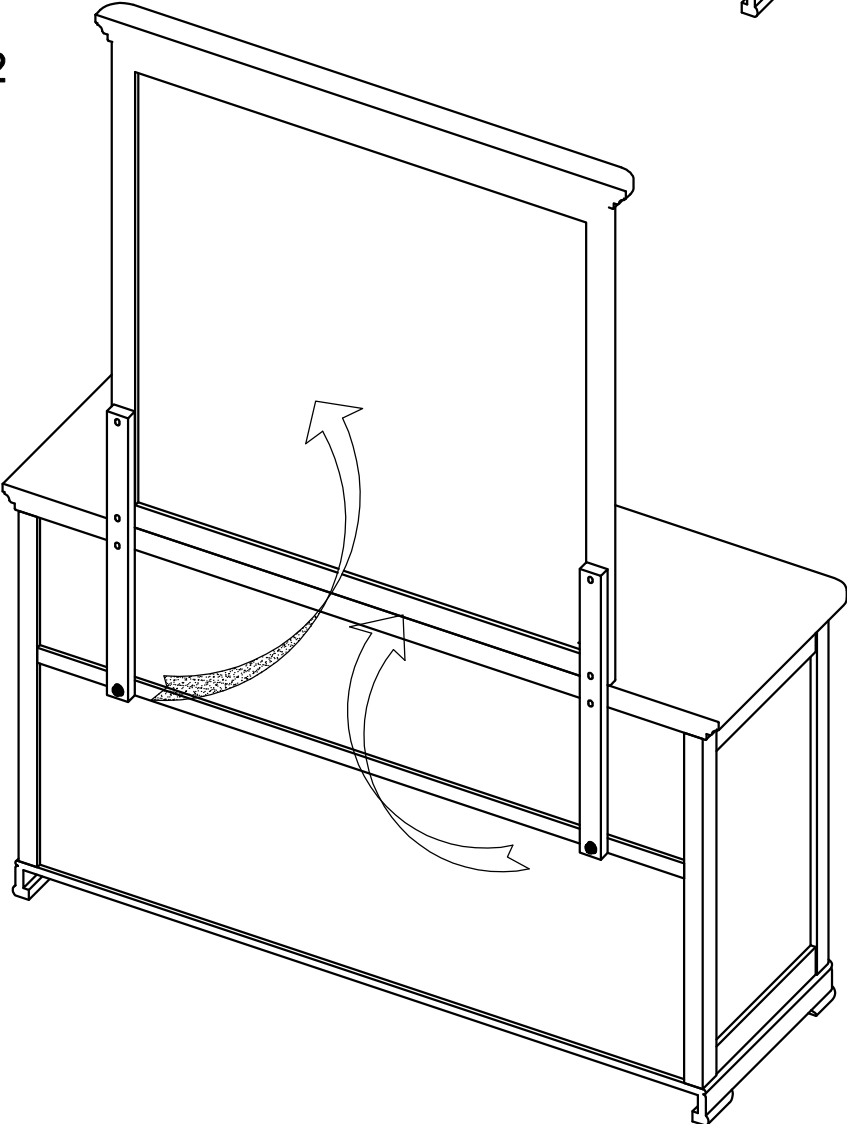
HARDWARE LIST

<p>A</p>  <p>M6×40mm</p> <p>6</p>	<p>B</p>  <p>Ø6 Spring washer</p> <p>6</p>	<p>C</p>  <p>Ø6 Washer</p> <p>6</p>	<p>D</p>  <p>4mm Allen Key</p> <p>1</p>		
--	---	--	--	--	--

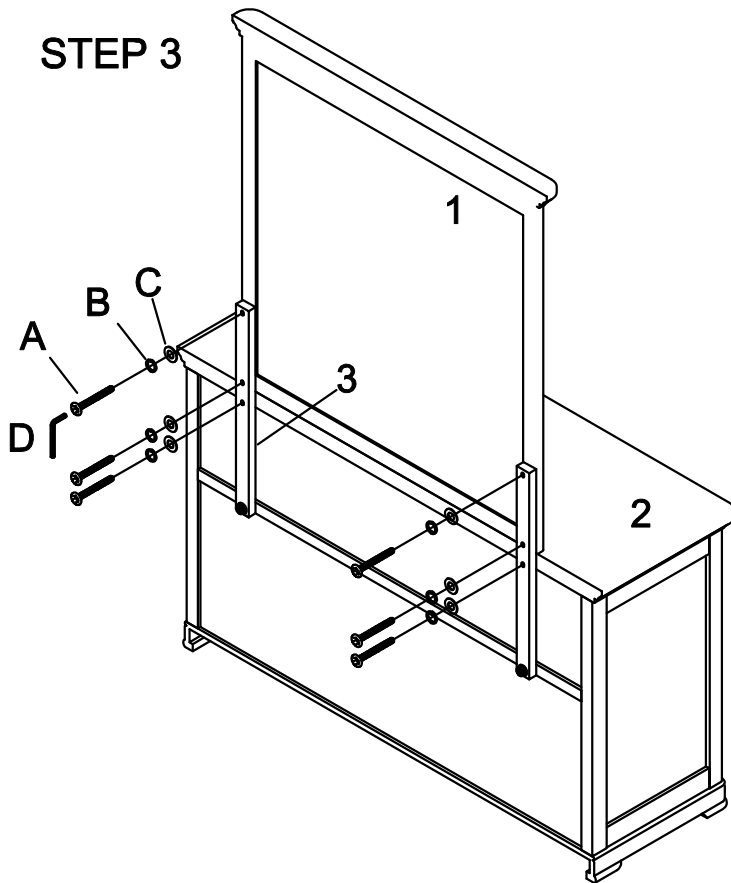
STEP 1



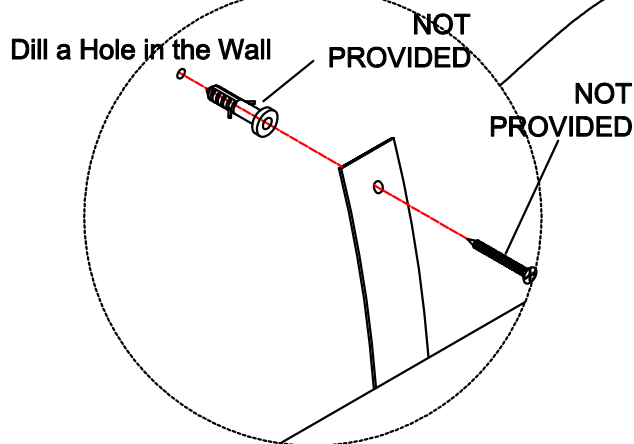
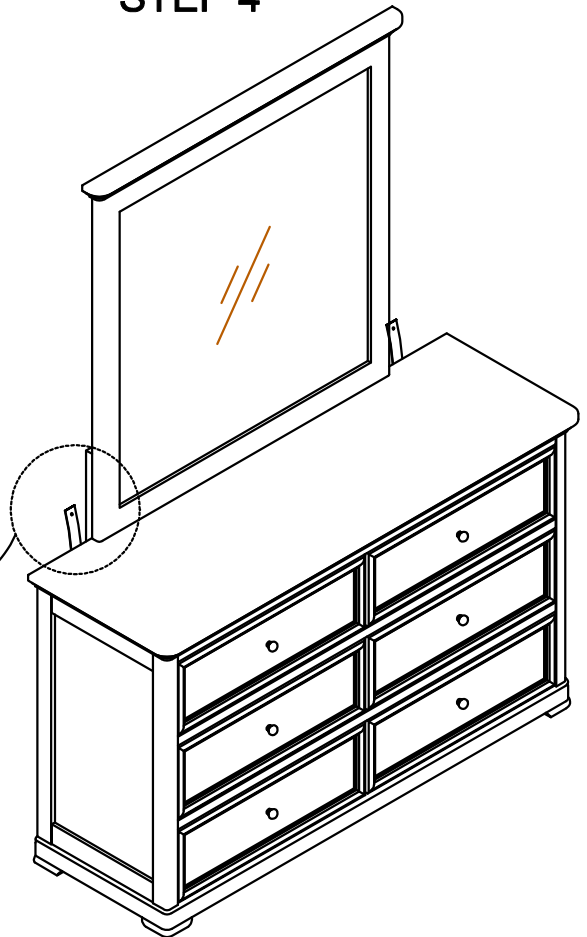
STEP 2



STEP 3



STEP 4



WARNING:

To prevent your furniture from tilting forward and possibly causing property damage or personal injury it is recommended that you **Securely attach the safety strap provided to your wall using appropriate fixings**

IMPORTANT:

- **DO NOT** place toys or other child appealing items on top of this furniture
- **AVOID** fully opening all drawers at the same time
- **DO NOT ALLOW** Small children to climb onto Drawers, shelves or to swing from open doors

CAUTION:

For your safety when attaching the anti-tilt fixings;

- Check for any electrical wires or plumbing inside the wall before drilling any holes (if you are unsure please seek professional advice from a qualified tradesman)
 - Walls are constructed from different materials eg: Masonry (solid brick) or plaster board lined cavity walls (hollow).
- It is important that you use the appropriate wall fixings for your wall type.

(Your local hardware store will have the necessary drills and fixings and can offer advice if needed)