

# AU1095/AU1096 Bed

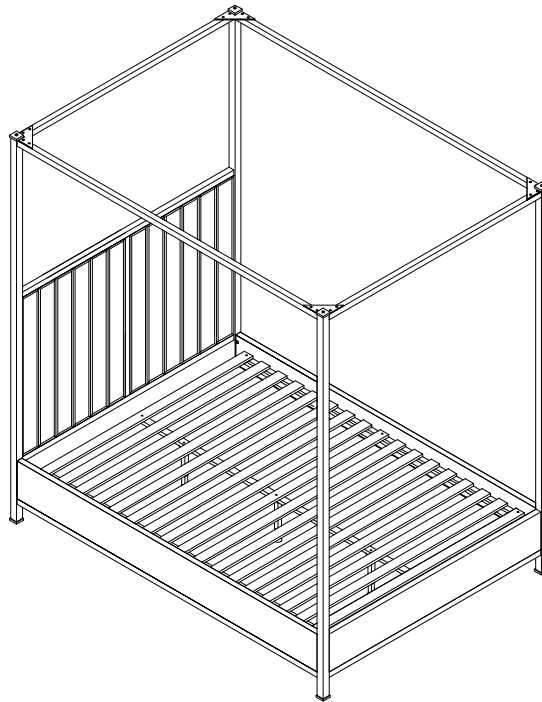
## Assembly Instructions

Minimum No.of people recommended to assemble this product:

2

Approx assembly time:

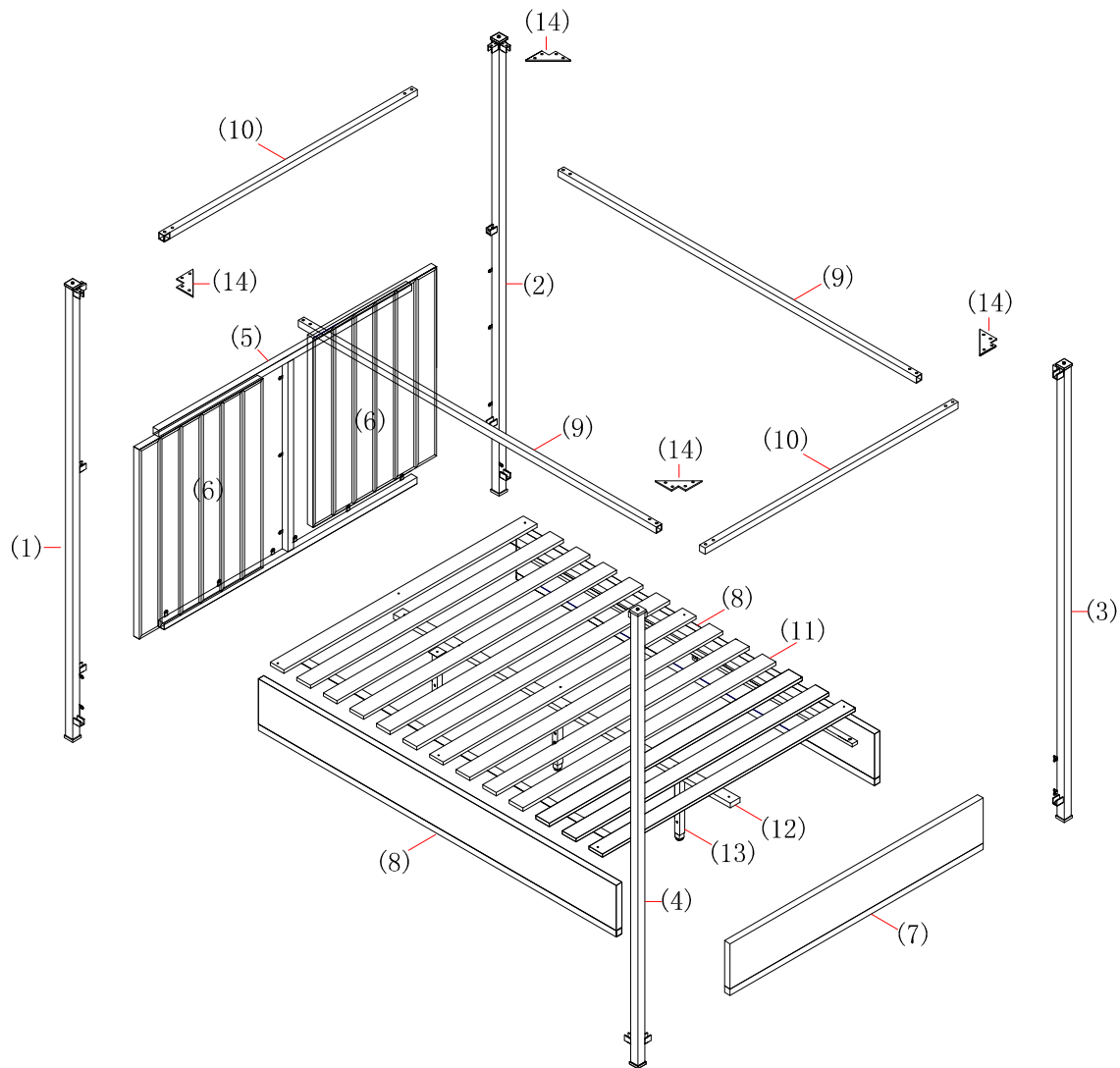
1  
hours



### Before you Start, here are some helpful advices.


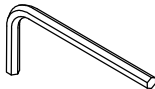

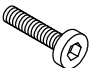
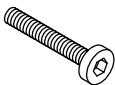
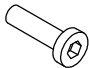


1. We suggest you spend a short time reading through this leaflet and then follow the simple step by step instructions.
2. If you follow the instructions carefully the end result should be worth the effort.
3. Do not discard any of the packaging until you have checked that you have all the parts and the pack of fittings.
4. Assemble this product on a carpet.
5. To ensure an easier assembly, we strongly advise that all fittings are only finger tightened during initial assembly. Only upon completion of the Assembly should all fixing points be fully tightened.
6. We recommend a periodic check on all fixing points to make sure they remain fully tightened.
7. Keep glue and fittings out of children's reach.

# PARTS

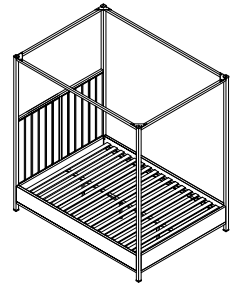


NO.	PART LIST	QTY	NO.	PART LIST	QTY
(1)	Headboard post 1	1	(12)	Center rail	1
(2)	Headboard post 2	1	(13)	Supporting	3
(3)	Footboard post 1	1	(14)	Connector plate	4
(4)	Footboard post 2	1			
(5)	Headboard frame	1			
(6)	Headboard upholstered	2			
(7)	Footboard upholstered	1			
(8)	Upholstered side rails	2			
(9)	Canopy bars 1	2			
(10)	Canopy bars 2	2			
(11)	Solid slats	1			

# PARTS

<b>A</b>  M6 x 20mm x12pcs	<b>H</b>  4mm Allen key x2pcs
<b>B</b>  M6 x 12mm x36pcs	
<b>C</b>  M6 x 30mm x10pcs	
<b>D</b>  M6 x 45mm x1pcs	
<b>E</b>  M6 x8pcs	
<b>F</b>  M6 x24pcs	
<b>G</b>  Metal Washer(M6) x59pcs	

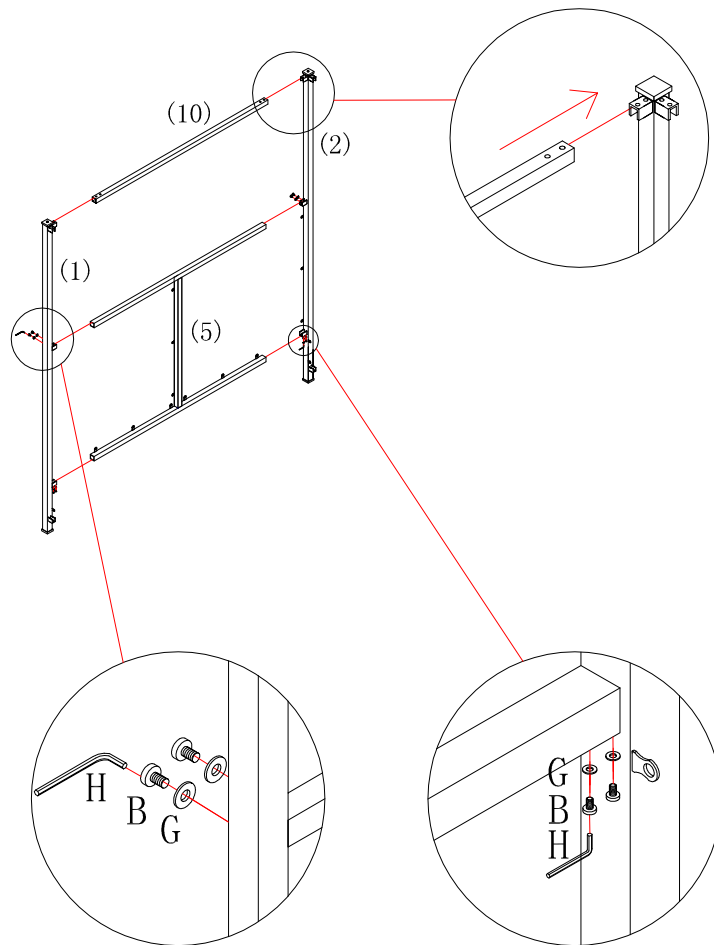
# ASSEMBLY



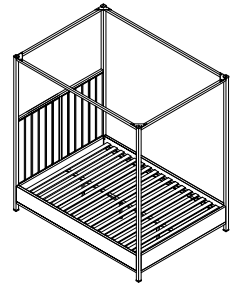
1. Assemble the headboard frame (5)、canopy bars(10) to the headboard post(1)and headboard post (2).

Use bolt(B),washer(G) to fix the headboard frame(5)onto headboard post by using allen key(H).

## STEP1



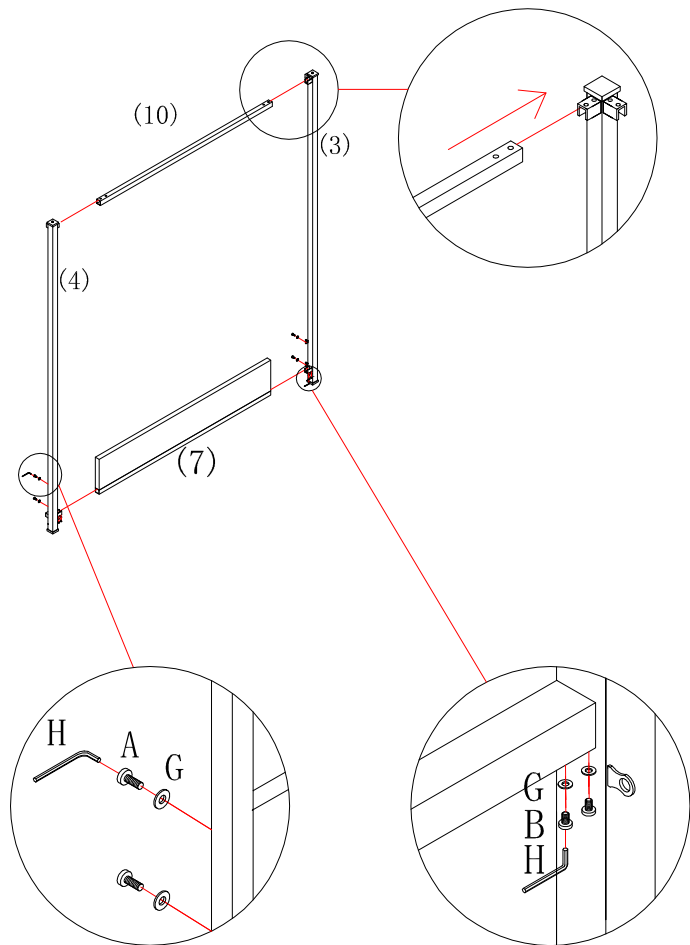
# ASSEMBLY



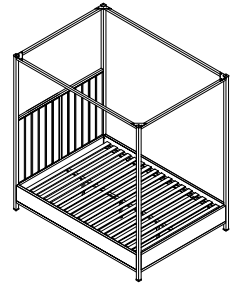
1. Assemble the footboard upholstered(7)、canopy bars(10) to the footboard post(3) and footboard post(4).

Use bolt(A) (B), washer(G) to fix the footboard upholstered(7) onto footboard post by using allen key(H).

## STEP 2



# ASSEMBLY



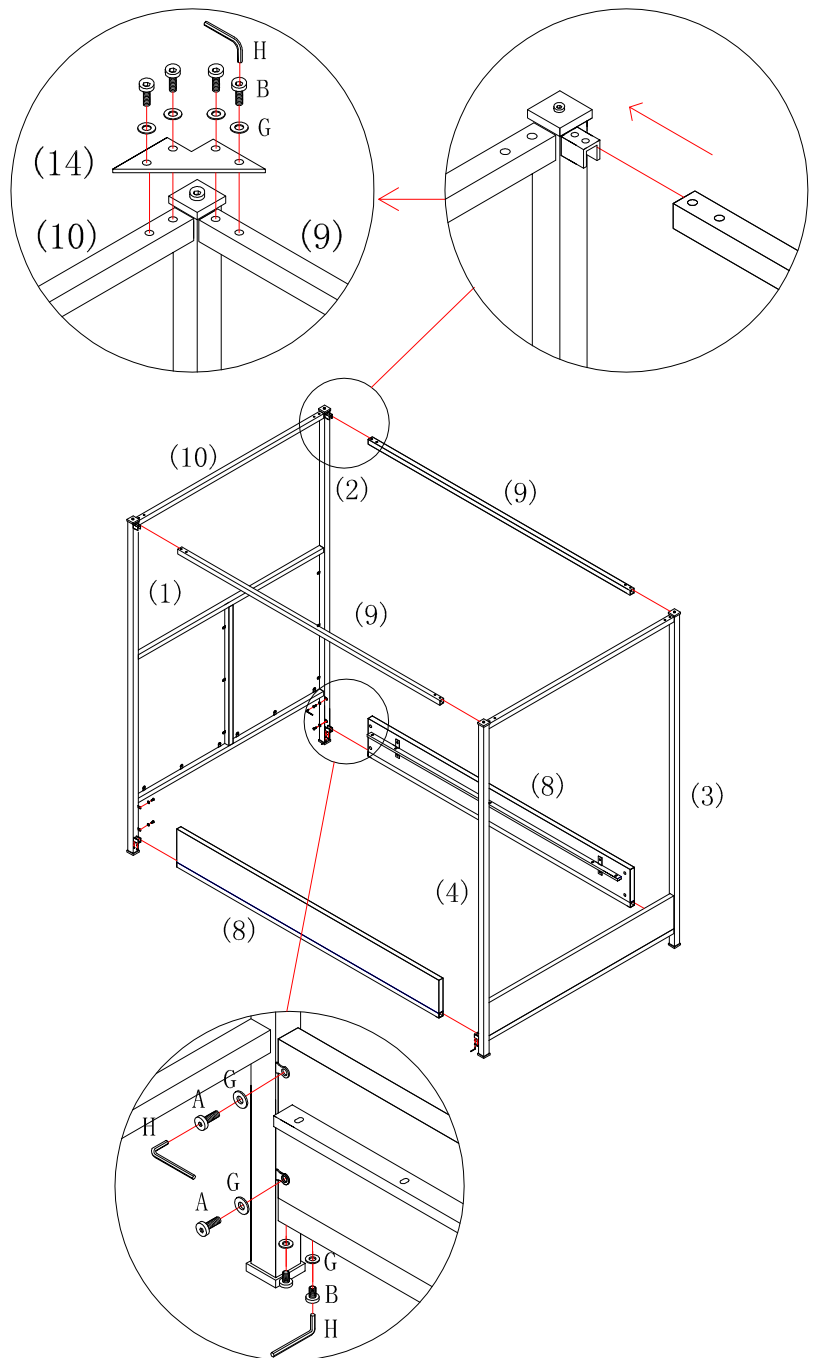
1. Assemble the canopy bars (9) to the headboard post and footboard post.

Use bolt (B), washer (G) to fix the connector plate (14) onto canopy bars (9) (10) by using allen key (H).

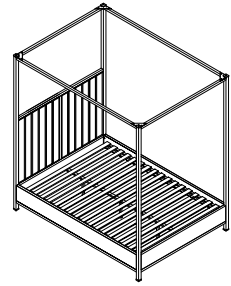
2. Assemble the upholstered side rails (8) to the headboard post and footboard post.

Use bolt (A) (B), washer (G) to fix the upholstered side rails (8) onto headboard post and footboard post by using allen key (H).

## STEP 3



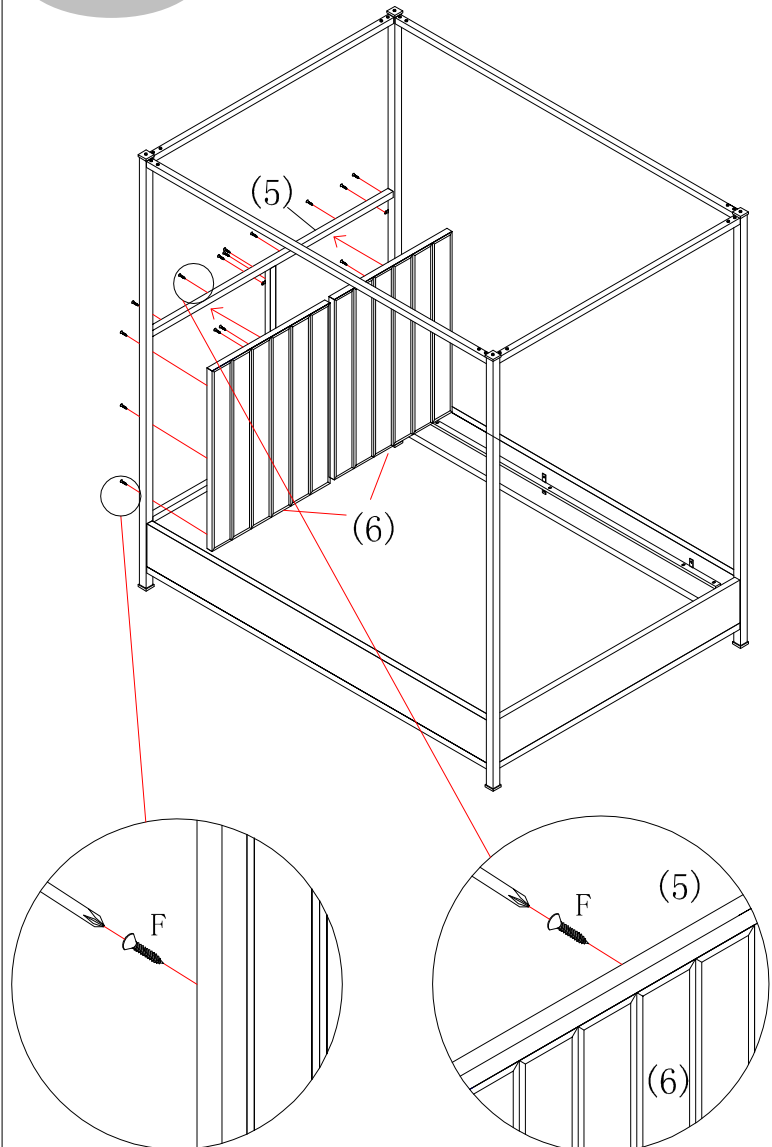
# ASSEMBLY



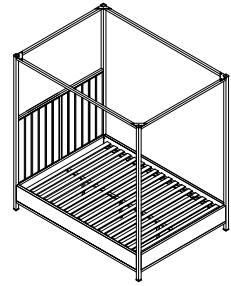
1. Assemble the Headboard upholstered (6) to the headboard frame (5).

Use tapping screw (F) to fix the headboard upholstered (6) onto headboard frame (5) by using screw driver (not supplied)

## STEP 4



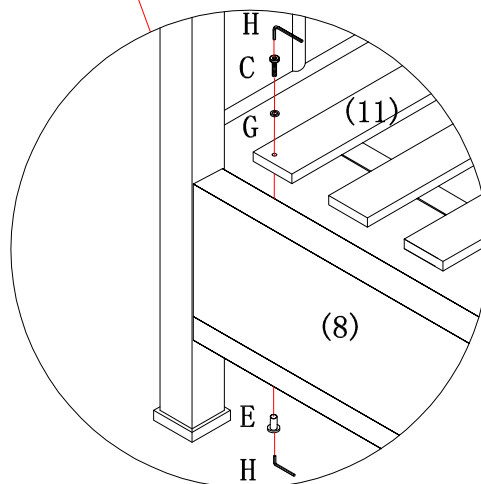
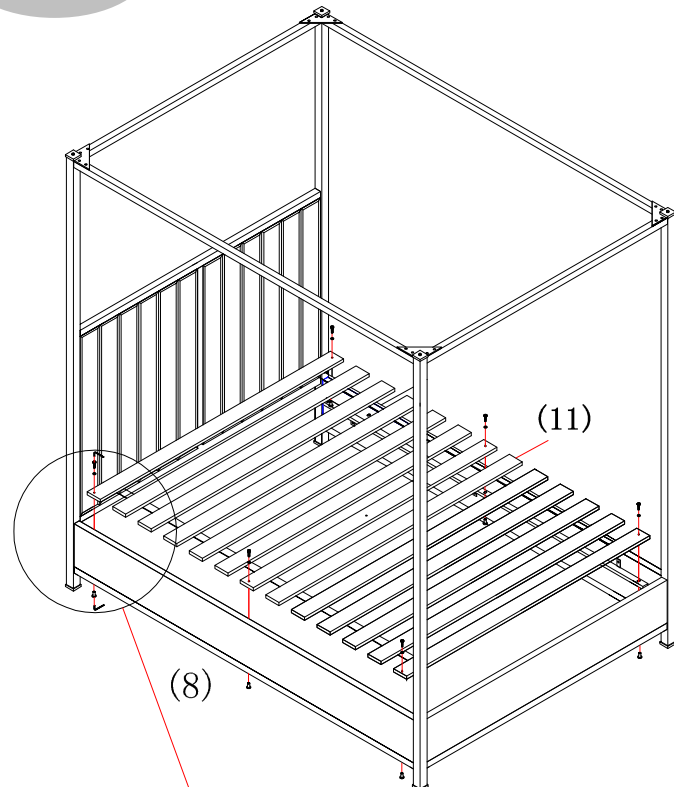
# ASSEMBLY



1. Put solid slats (11) onto upholstered side rails (8).

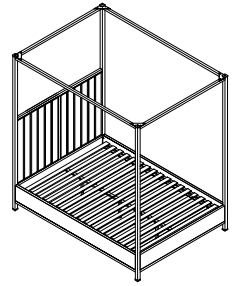
Assemble solid slats (11) onto upholstered side rails (8) by using bolt (C), washer (G), nut (E) and allen key (H).

## STEP 5



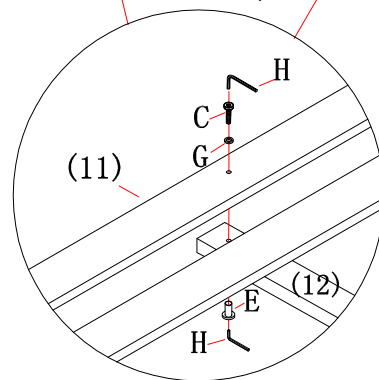
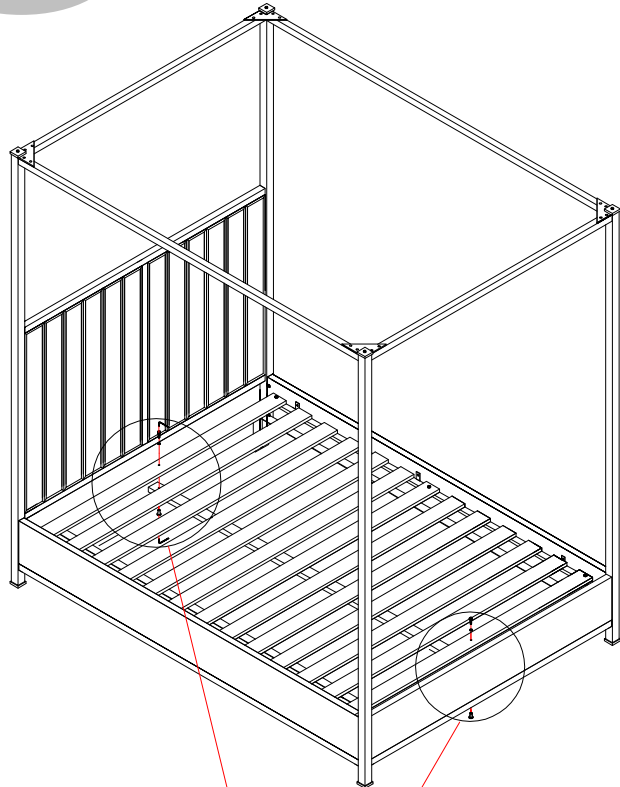


# ASSEMBLY

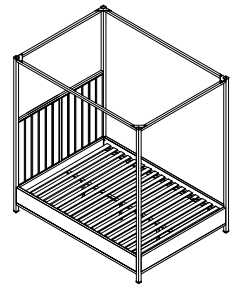


1. Assemble center rail (12) under solid slats (11) by using bolt (C), washer (G), nut (E) and tighten with allen key (H).

## STEP 6



# ASSEMBLY



1. Assemble the center support leg(13) to center rail(12) by using Bolt(D), washer(G), tighten with allen key(H).

Assemble the support leg(13) at two ends by using bolt(C), washer(G) and tighten with allen key(H).

## STEP 7

