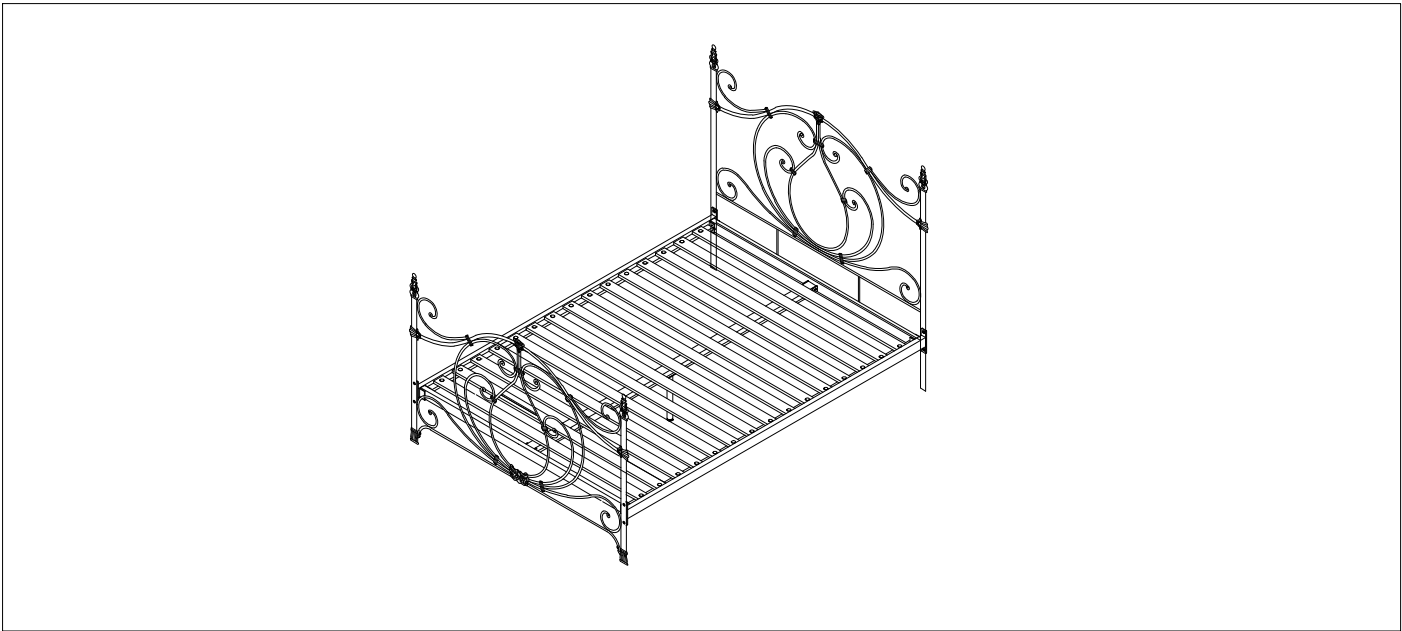
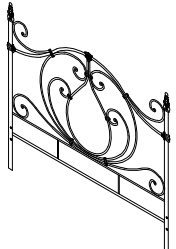

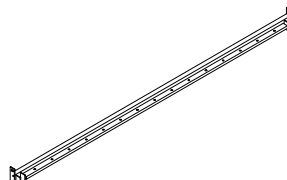
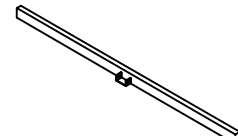
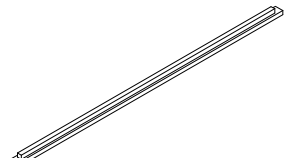
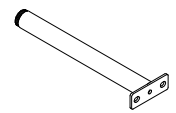
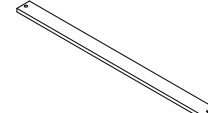


ASSEMBLY INSTRUCTION



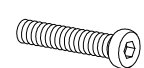





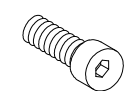



DO NOT OVER TIGHTEN SCREWS UNTIL COMPLETELY ASSEMBLED



PARTS LIST

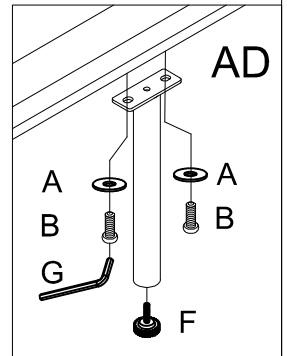
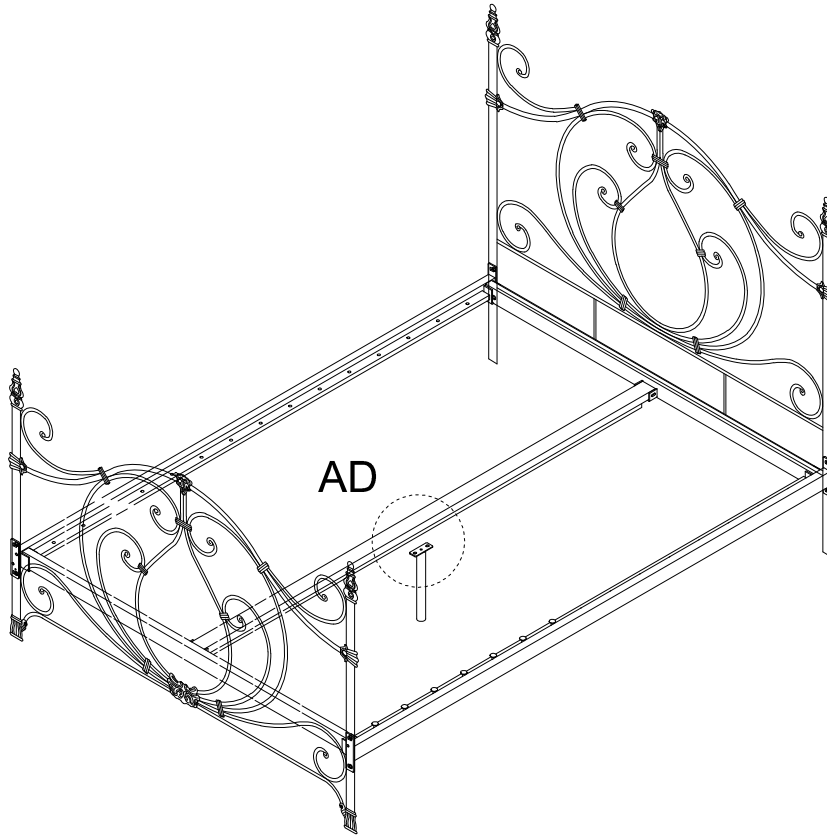
1  1	2  1	3  2	4  2
5  1	6  1	7  15	

HARDWARE LIST

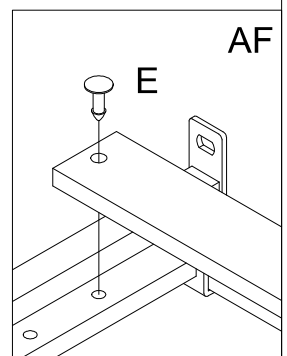
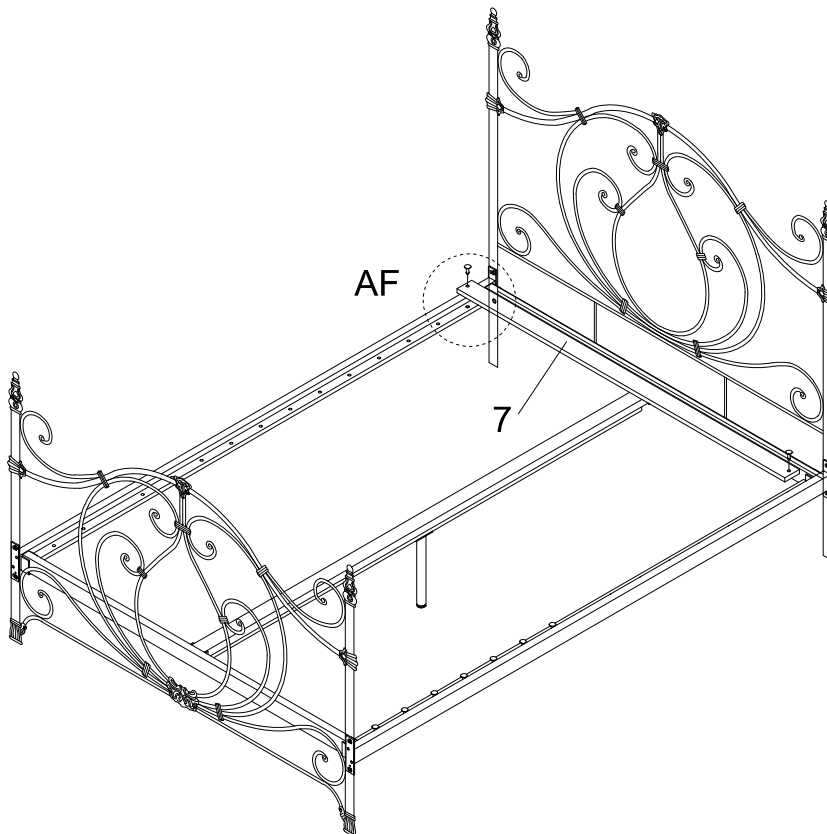
A  16mm Metal Washer 10	B  M6*16mm Screw 6	C  M6*73mm Screw 2	D  M6 Nut 2	E  Stats Clip 30	F  M6 Plastic Regulate 1
G  4mm Allen Key 1	H  6mm Open End Wrench 1	I  M8*30mm 8	J  18mm Metal Washer 8	K  18mm Metal Washer 8	L  6mm Allen Key 1

ASSEMBLY INSTRUCTION

STEP 3

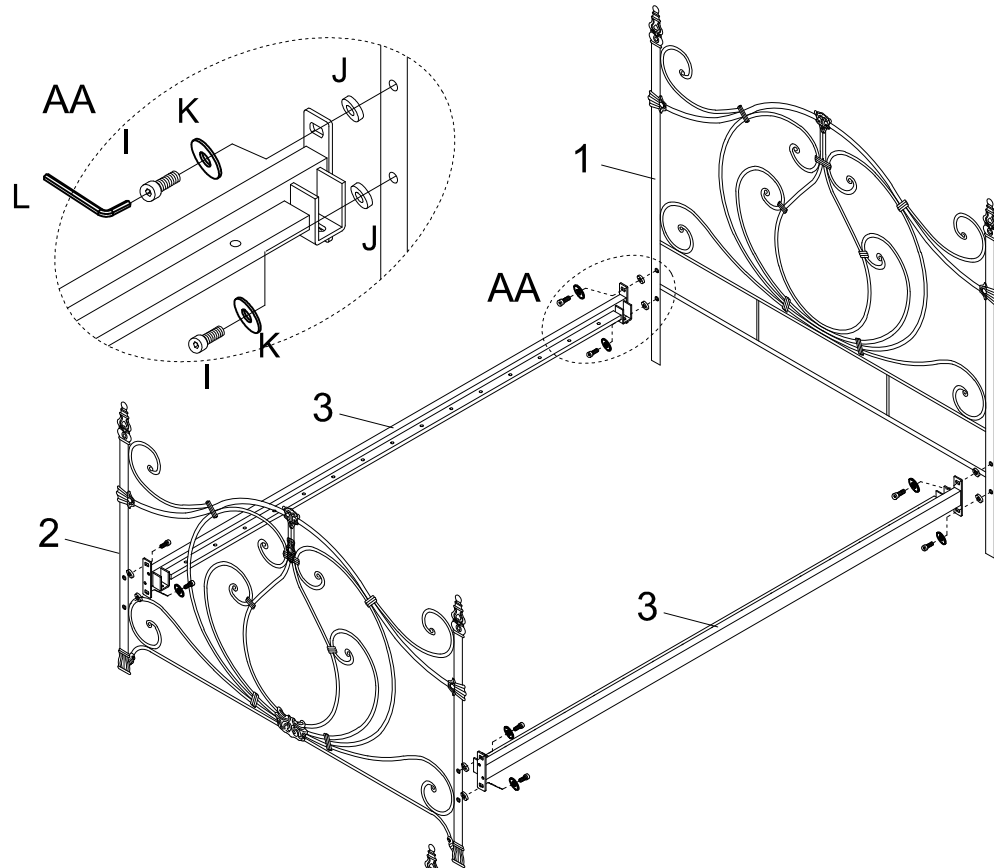


STEP 4



ASSEMBLY INSTRUCTION

STEP 1



STEP 2

