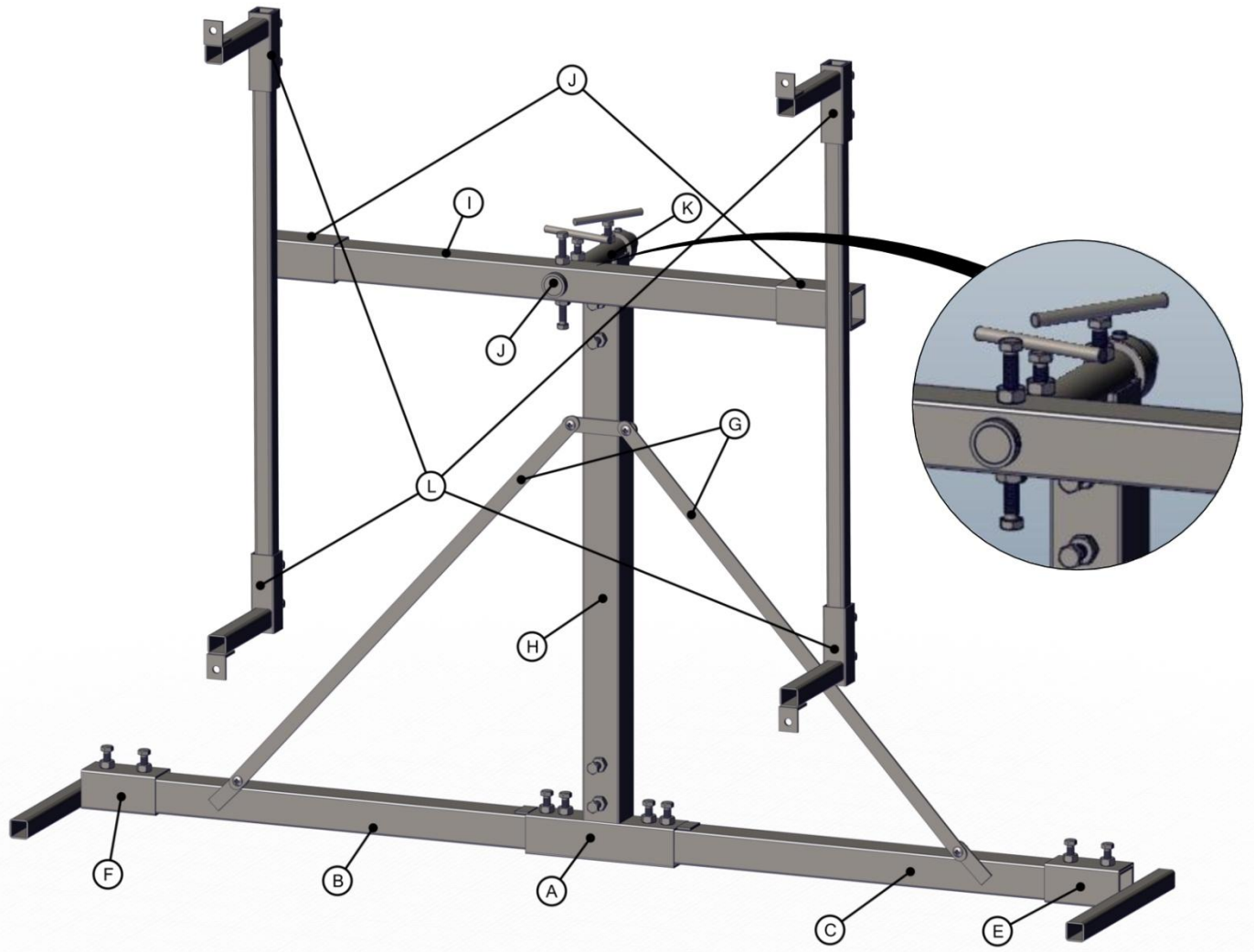


Bogert Aviation Forward Fuselage Rotator


P/N 15M-FWD

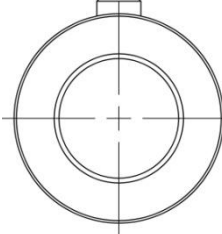


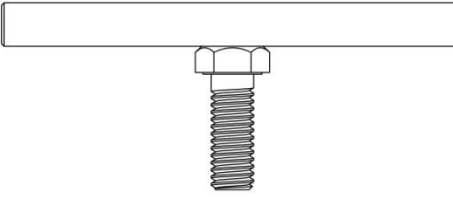


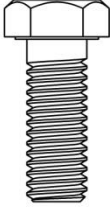
Bogert Aviation Inc.
(800) 627-8088 USA
(509) 736-1513 Int'l

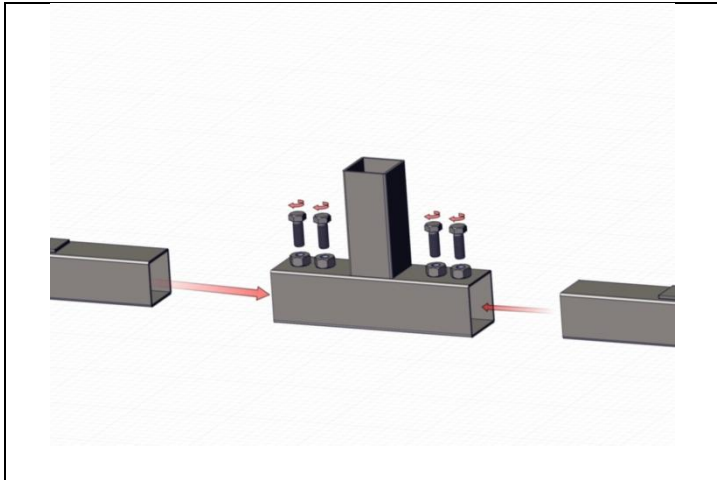
4x  1/4 NC 3/4" Long Screw (Y)

4x  1/4-20 Nyloc Nut (X)

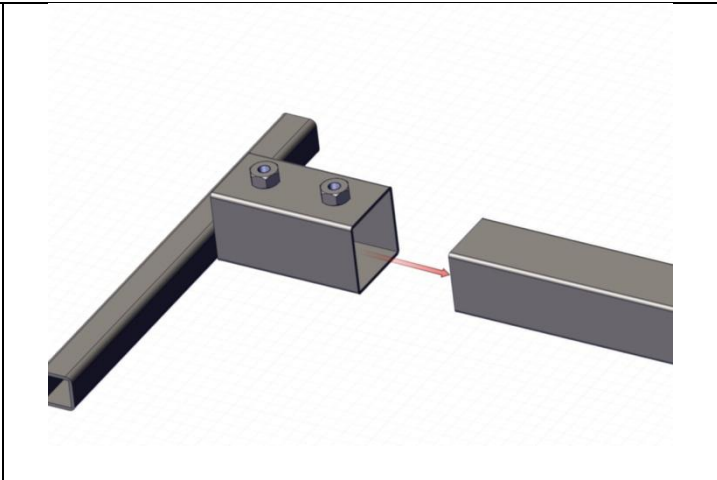
1x  1" Lock Collar (W)

2x  3/8 NC T-Bolt (U)

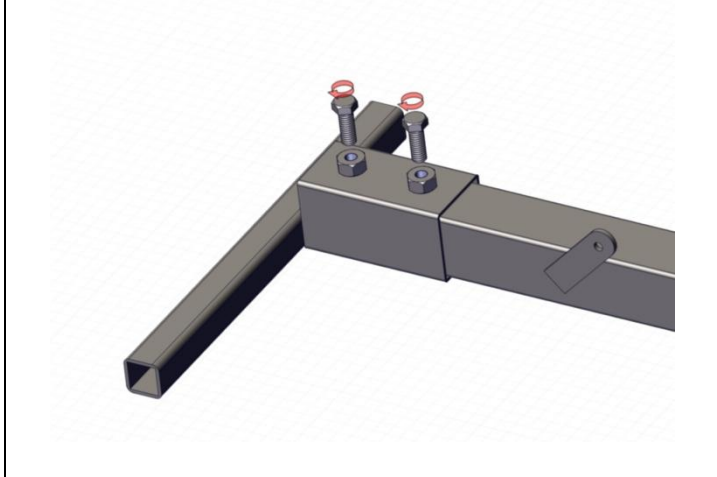
24x  3/8 NC 1" Long Bolt (Z)



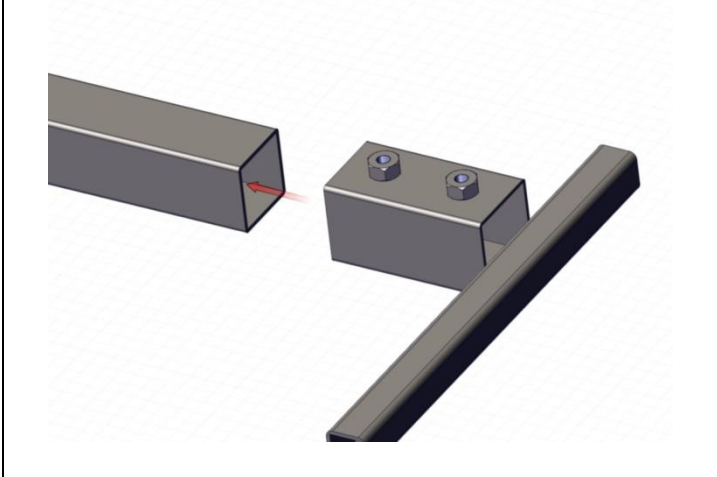
1 Insert (B) and (C) into (A) and attach with (Z).



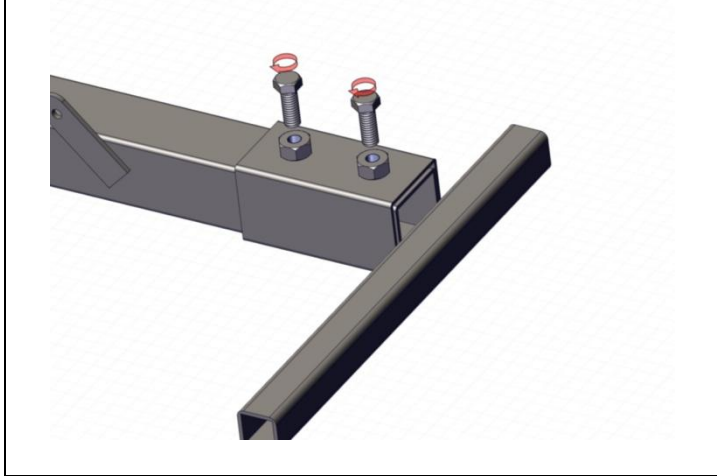
2 Slide (F) onto (B).



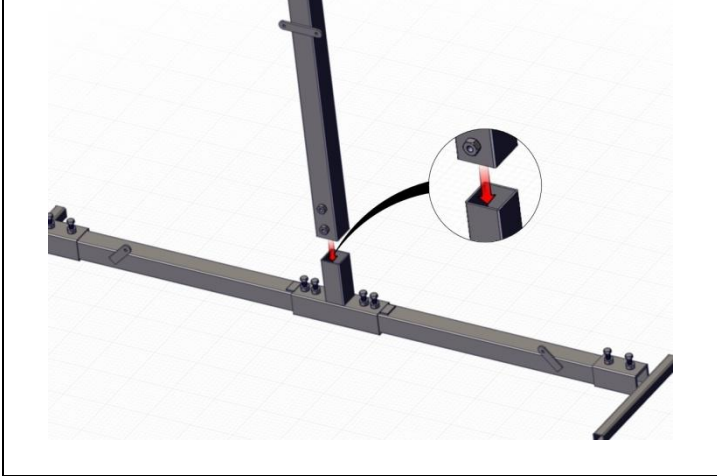
3 Attach (F) to (B) with (Z).



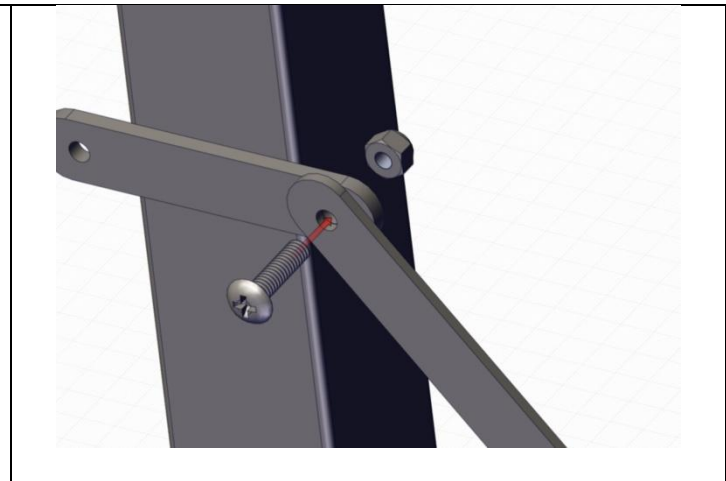
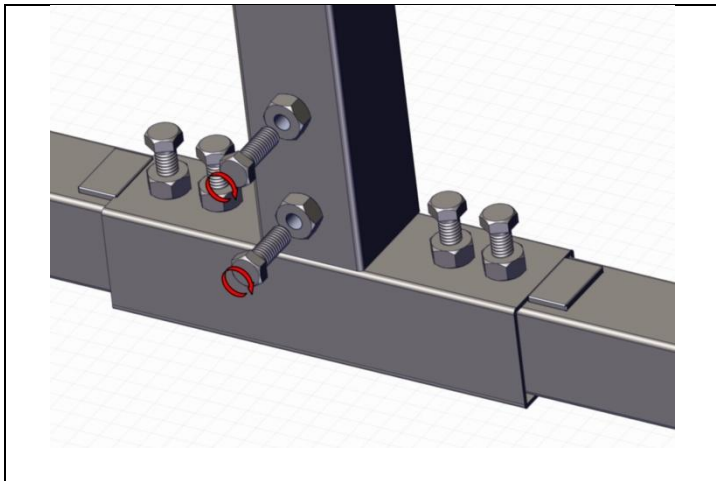
4 Slide (E) onto (C).



5 Attach (E) to (C) with (Z).

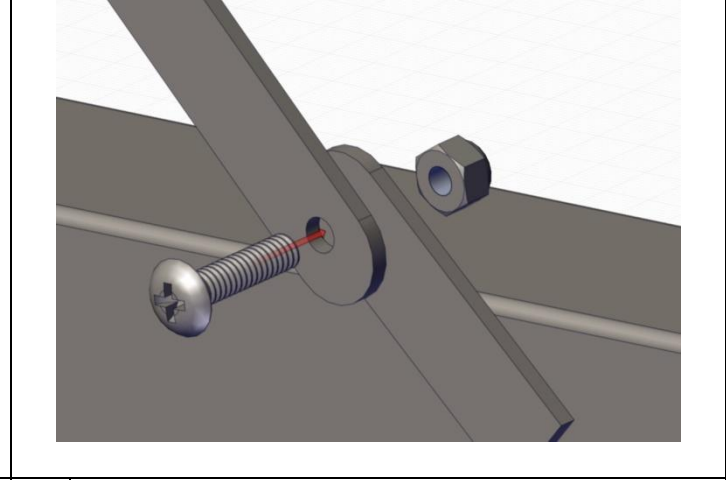


6 Slide (H) onto (A).



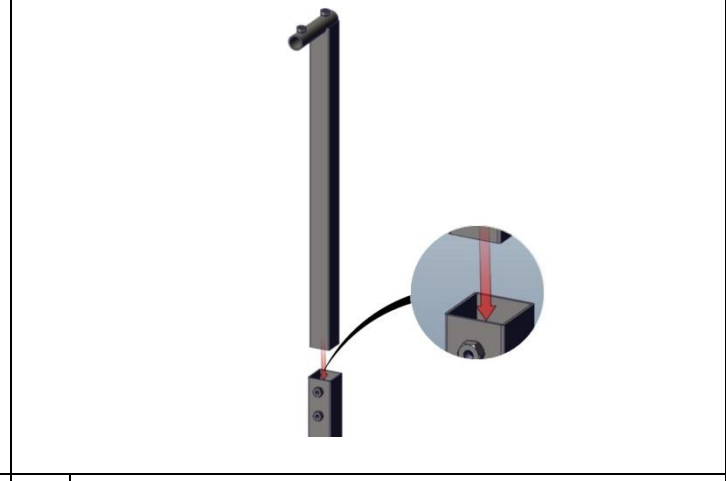
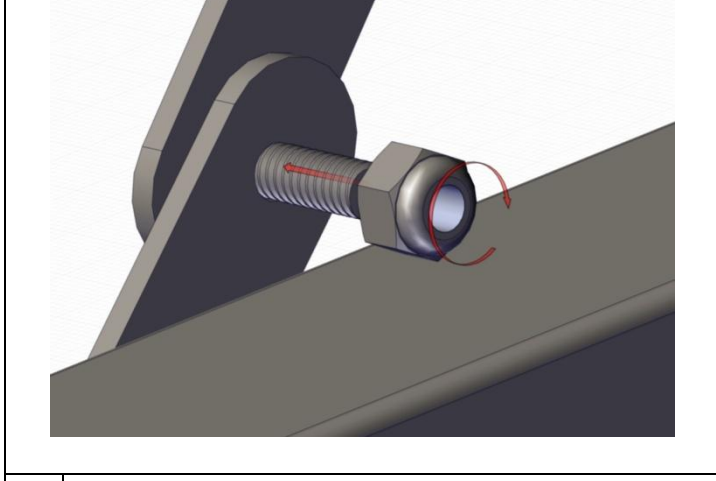
7 Attach (A) to (H) with (Z).

8 Attach (G) to (H) using (Y) and (X).



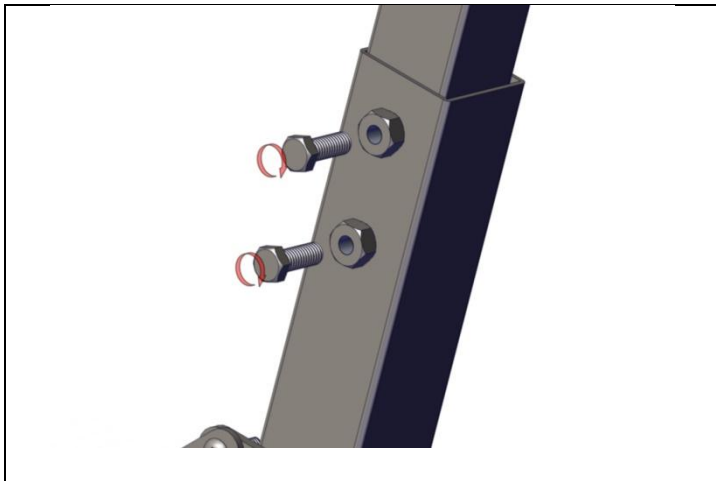
9 Tighten (X) onto (Y).

10 Attach (G) to (C) using (Y) and (X).



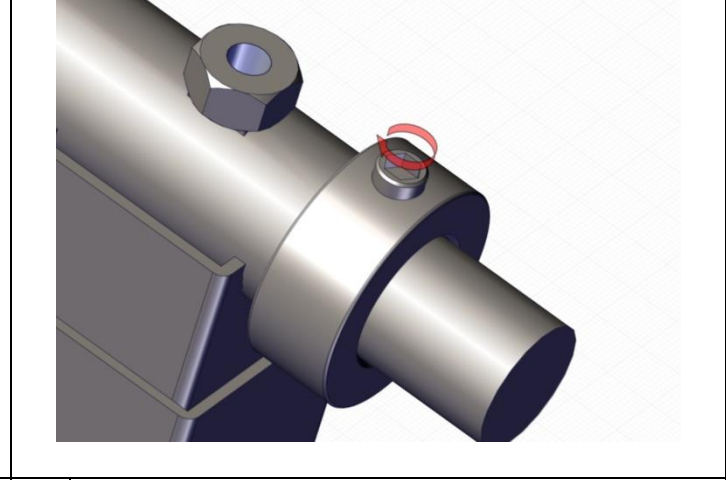
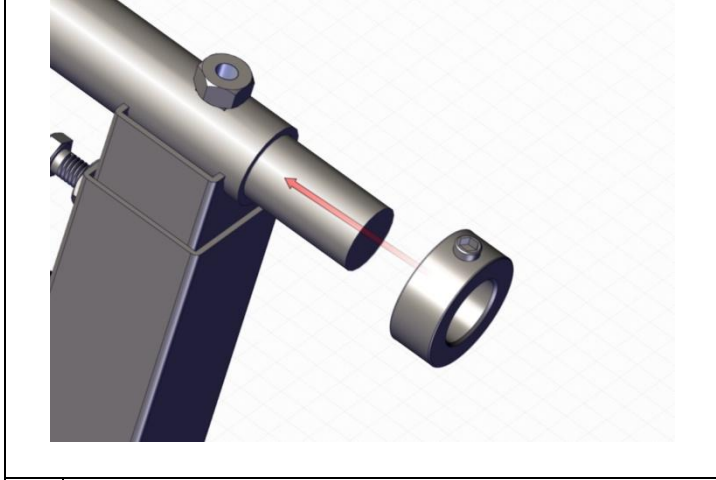
11 Tighten (X) onto (Y).

12 Insert (K) into (H).



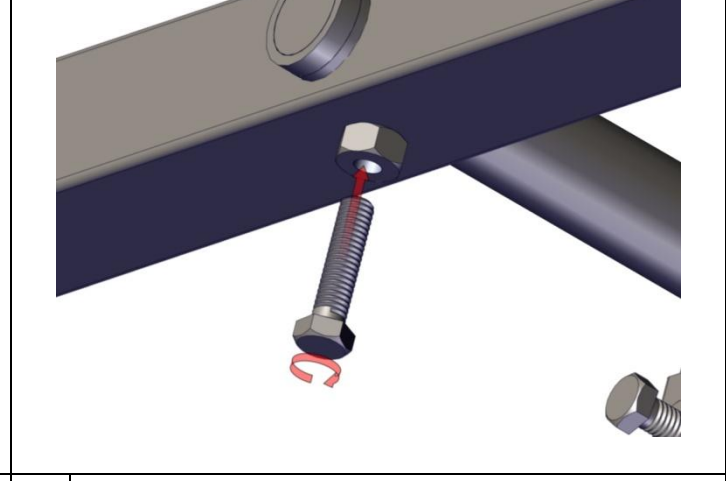
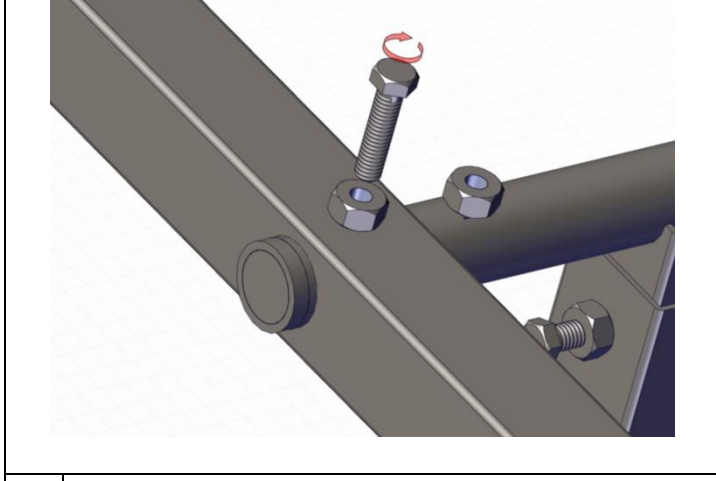
13 Attach (K) to (H) using (Z).

14 Insert (J) into (I) and (K).



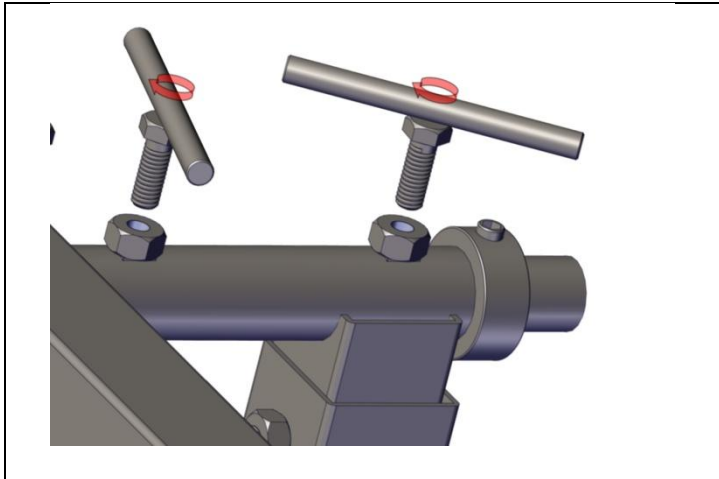
15 Slide (W) over (J).

16 Tighten (W) onto (J).



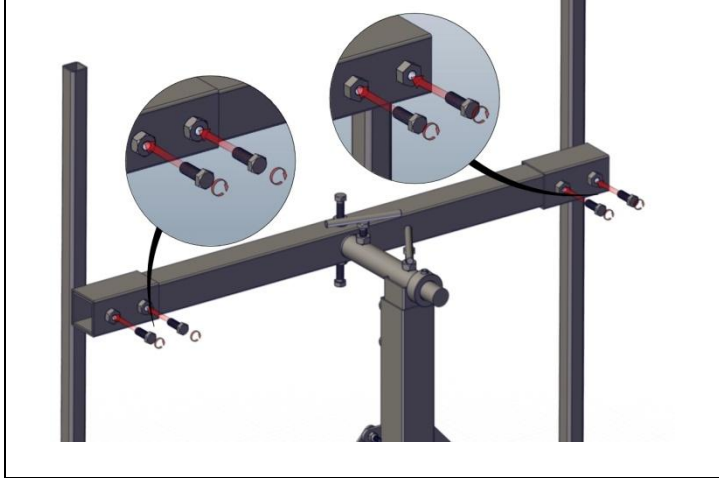
17 Attach (J) to (I) using (V).

18 Attach (J) to (I) using (V).



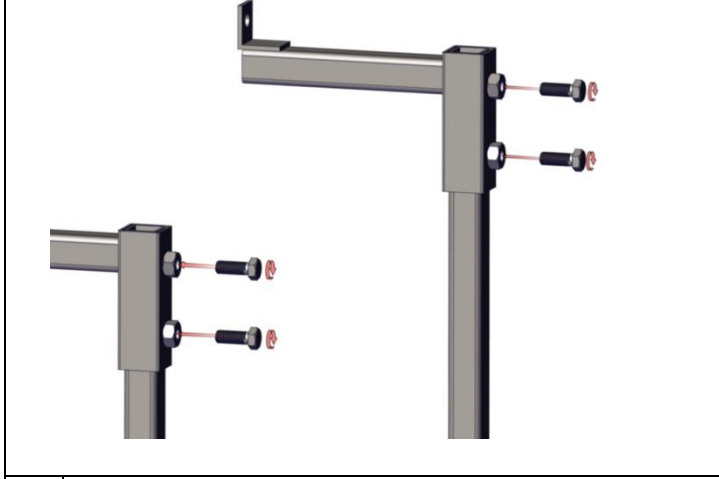
19 Tighten (U) into (K).

20 Slide (J) over (I).



21 Attach (J) to (I) using (Z).

22 Slide (L) over (J).



23 Attach (L) to (J) using (Z).

24 Slide (L) over (J).

Bogert Aviation Inc.
(800) 627-8088 USA
(509) 736-1513 Int'l