



# RESIDENTIAL ROLLING DOORS

## Roll-A-Door®

Neo®



Feature colour  
**JAPAN CHERRY**

Squareline™ Deluxe Single



Feature colour  
**DOVER WHITE\***  
\*A surcharge applies  
to this colour

Squareline™ Deluxe Double



Feature colour  
**CLASSIC CREAM™**

Traditional Low Profile



Feature colour  
**SURFMIST**

Traditional Wideline™



## Rollmasta®

Series 1



Feature colour  
**DOVER WHITE**

Series 3



Feature colour  
**SHALE GREY**

home  
safe  
home®



# Rolling Door Details



Is available when the customer registers the purchase of a Genuine B&D Door and Automatic Opener online, they are covered by the B&D 10Year Confidence Warranty on both the door and automatic opener.

Description	Model Name Type	Roll-A-Door®								Rollmasta®					
		Neo		Squareline Deluxe				Low Profile		Traditional		Single		Double	
		Series 1		Series 1		Series 3		Series 2		Series 2		Series 1		Series 3	
Model code		R1N		R1D		R3W		R2L		R2W		R1P		R3F	
Door & Max Drive Through Heights (mm) (non-Wind-Lock Doors)	Door Height	Max Drive Height	Door Height	Max Drive Height	Door Height	Max Drive Height	Door Height	Max Drive Height	Door Height	Max Drive Height	Door Height	Max Drive Height	Door Height	Max Drive Height	
			1250	1250	1800	1700			1400	1350	1250	1250	1800	1700	
	2100	2100	2100	2100	2100	2005			2100	2000	2100	2100	2100	2005	
	2400	2400	2400	2400	2400	2305	2400	2300	2400	2300	2400	2400	2400	2305	
	2700	2700	2700	2700	2700	2605	3000 (WA)	3000			2700	2700	2700	2605	
3000	3000	3000	3000	3000	2905	3300 (WA)	3300	3000	2985	3000	3000	3000	2905		
Max Door Width (including overlap)		3150mm		3150mm		5500mm		5500mm		5500mm		3150mm		5100mm	
Profile (W) x (D)															
	180mm x 16mm		83mm x 16mm				76mm x 20mm		83mm x 16mm						
<b>CURTAIN</b>															
Coil thickness		0.4mm		0.4mm		0.5mm		0.4mm		0.5mm		0.4mm		0.4mm	
Curtain separator, mini top sheet limit curtain rub		•		•		•		•		•		•		•	
Minimum curtain overlap each side		40mm		30mm		50mm		50mm		50mm		30mm		50mm	
Steel door stops, with buffers for safety & quietness		•		•		•		•		•		•		•	
Steel door stops						•		•		•		•		•	
Drum Type		S1 Castellated pressed steel		S1 Castellated pressed steel		S3 pressed steel		S3 pressed steel		S2 pressed steel		S3 Pressed steel		S3 pressed steel	
Nylofelt® for smooth, quiet, greaseless operation.		•		•		•		•		•		•		•	
<b>TRACKS &amp; GUIDES</b>															
Door guide block with double roller		•		•		•		•		•		•		•	
Door guide block with single roller												•		•	
<b>LOCKS &amp; HANDLES</b>															
Waist height centre lift lock with double bar locking				optional		•		•		•		optional		•	
Centre lift lock with internal turn knob				optional		•		•		•					
Sleek "D" shaped handle (available up to 2400mm H)				optional		•		•		•					
<b>MANUFACTURING</b>															
Factory	VIC	•		•		•		•		•		•		•	
	NSW			•		•		•		•		•		•	
	QLD	•		•		•		•		•		•		•	
	WA			•		•		•		•		•		•	
<b>SEALS &amp; SPRINGS</b>															
Thick Weatherseal, restricts water & leaves entry.		•		•		•		•		•		•		•	
Spring cycle rating (higher, the longer service life)		30,000 cycles		30,000 cycles		30,000 cycles		30,000 cycles		30,000 cycles		15,000 cycles		15,000 cycles	
<b>WARRANTY</b>															
Door only		* 7 year		* 7 year		* 7 year		* 7 year		* 7 year		* 3 year		* 3 year	
<b>Optional Extras</b>															
Rolling Door Opener		PowerDrive (standard)		PowerDrive, Roll-A-Pro		PowerDrive, GDO-12 Hiro		PowerDrive, GDO-12 Hiro		PowerDrive, GDO-12 Hiro		PowerDrive, Roll-A-Pro		PowerDrive, GDO-12 Hiro	
Smart Phone Control		•		• PowerDrive only		•		•		•		• PowerDrive only		•	
Fixed or independent tapers		•		•		•		•		•		•		•	
Internal waist high shoot bolt locking						•		•		•				•	
Alternative lock positions for servery door				•		•		•		•		•		•	
Slots for ventilation				•		•		•		•		•		•	
High Wind Option				•		•		•		•		•		•	
Mullions				•				•		•		•			

## installation requirements

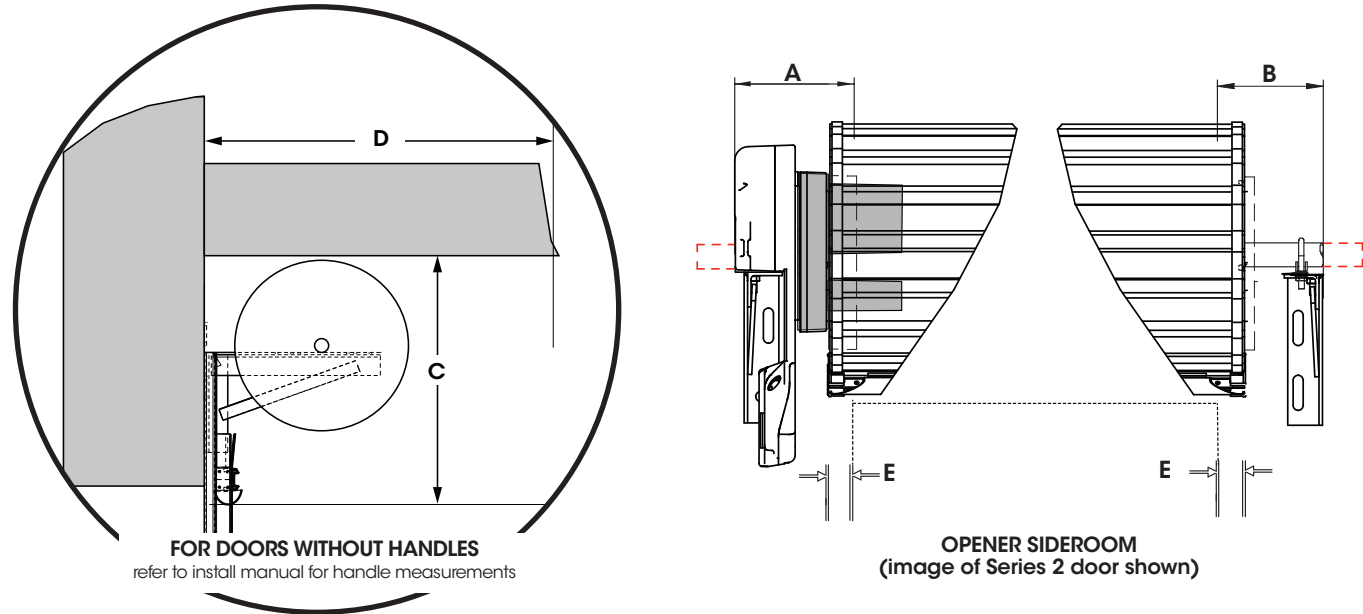


Fig: 1.4.3

dimension table								
Door Model Code	Door height (mm)	Door width (mm)	Minimum Sideroom Opener Side	Minimum Sideroom Chain Side***	Minimum Sideroom Plain Side	Recommended Headroom #	Recommended Backroom for installation	Min' Curtain Overlap****
			Based on Minimum Curtain Overlap stated as dimension E					
			A1* / A10**	A2	B			
R1N Series 1	up to 2400	up to 3150	125	N/A	95	450	500	40
R1D Series 1	2401 - 3000							
R1P Series 1	up to 2400	up to 3150	115	N/A	85	430	480	30
R1P Series 1	2401-3000					450	500	
Windlocked Series 1	up to 2400					430	480	
Windlocked Series 1	2401-3000	up to 3150	160	N/A	130	450	500	55
R3F Series 3	up to 2400					535	525	
R3F Series 3	2401-3000	up to 5100	145/245	135/195	135	565	555	50
R3W Series 3	up to 2400					535	525	
R3W Series 3	2401-3000					565	555	
Windlocked Series 3	up to 2400	up to 5500	195/295	195 (based on E)	175	535	525	55+ (see note)
Windlocked Series 3	2401-3000					565	555	
R2L Series 2	up to 2400	up to 5500	145/245	135/195	135	515	535	50
R2L Series 2	*2401-3300					*540	*585	
R2W Series 2	up to 2400					590	580	
R2W Series 2	2401-3000					620	610	
Windlocked Series 2	up to 2400	up to 5500	195/295	195 (based on E)	175	590	580	55+ (see note)
Windlocked Series 2	2401-3000					620	610	

NOTE: All measurements are in millimeters ( mm )

# Refer to installation manuals for restricted headroom measurements and doors with handles.

\* A1 Based on a Controll-A-Door PowerDrive, GDO-6 EasyRoller and GDO-12 Hiro.

\*\* A10 Based on a GDO-10 Toro (Right Hand Side install).

\*\*\* Chain Drive is optional on all Series 2 & 3 doors. Measurements indicated for LHS and RHS installations.

On 3300 high R2L Series 2 it is standard LHS viewed inside looking out.

\*\*\*\* NOTE: Wind-Locked doors may need between 55 - 68mm curtain overlap on both sides, depending on the substrate used.

\*R2L, above 2400mm only available in WA.

## fixed taper options

Independent tapers are an option to an existing Series 1, 2 or 3 type Roll-A-Door®. For where floors have an even 'tapered' slope across the opening, a fixed taper plate can be built into the door at the time of manufacture. (not available when the door has perforation slottings or on R1N Roll-A-Door Neo® 2700mm - 3000mm high)

The direction of a taper should always be indicated as Viewed Inside Looking Out.

Minimum Taper	Maximum Taper
1mm per 150mm of door width or 20mm, whichever is greater	1mm per 10mm of door width or 250mm (S2, S3) 290mm (S1) whichever is less

Example as shown for one door with Taper:  
 Minimum Taper at (Y) = 4600 (W) / 150 = 30.6mm (round to the nearest mm) 31mm is greater than 20mm, therefore minimum taper is 31mm  
 Maximum Taper at (X) = 4600 (W) / 10 = 460mm 460mm is greater than 250mm, therefore the maximum taper is 250mm

**Tip** Tapers are available with Windlock Doors.

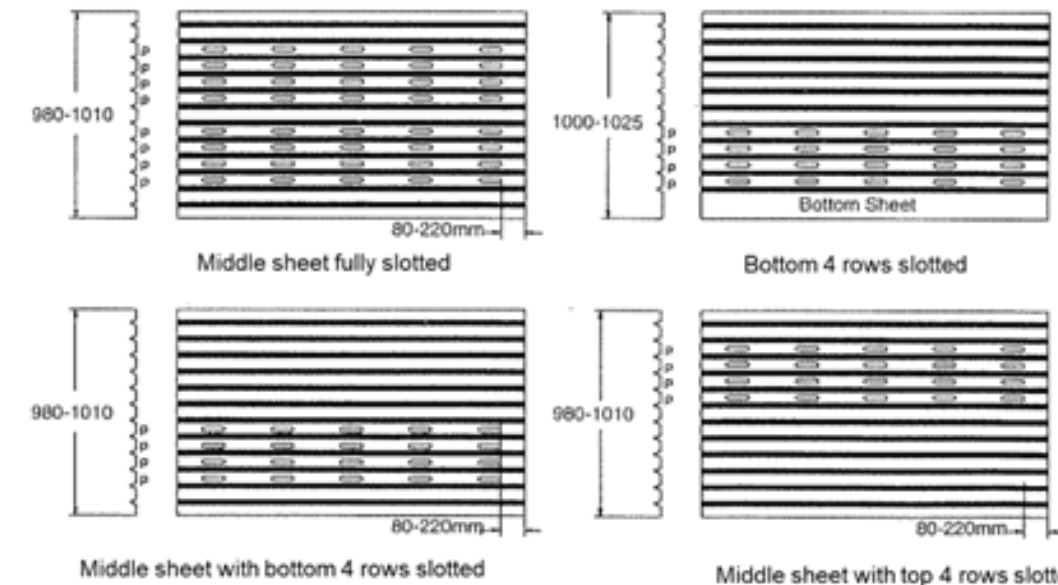
In the situation where two doors are required with matched curtains and both have tapers, the maximum taper over both doors cannot be greater than the maximum allowed for a single door the width of the entire opening.

Example as shown for two doors with Taper:  
 Minimum Taper at (Y) = 2490 (W) / 150 = 16.6mm (round to the nearest mm) 17mm is less than 20mm, therefore minimum taper is 20mm  
 Maximum Taper at (X) = 2490 (W) / 10 = 249mm 249mm is less than 290mm, therefore the maximum taper is 249mm

## perforation slotting options

Configured per sheet, slotting is available in either partial or whole sheet. Where a waist high centre lift lock / handle is fitted (waist high = top of the bottom door sheet), only partial slotting is available to the bottom four flats.

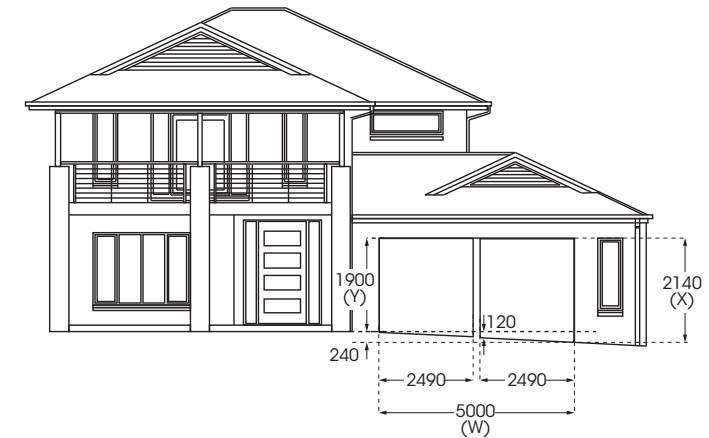
The perforations are at 300mm centres with the space between them 200mm constant. The only variable is the distance between the edge of the sheet and the first and last perforation. This varies from approximately 80mm minimum to approximately 220mm maximum.



**WARNING!** Perforation not available with Windlock doors.



ONE DOOR WITH TAPER  
 Taper = X - Y  
 2490 (X) - 2400 (Y) = 90mm taper



TWO DOORS WITH TAPER  
 Taper = X - Y  
 Door 1 2020 (X) - 1900 (Y) = 120mm taper  
 Door 2 2140 (X) - 2020 (Y) = 120mm taper



March 2021  
165105\_03



March 2021  
165105\_03

## mullion options

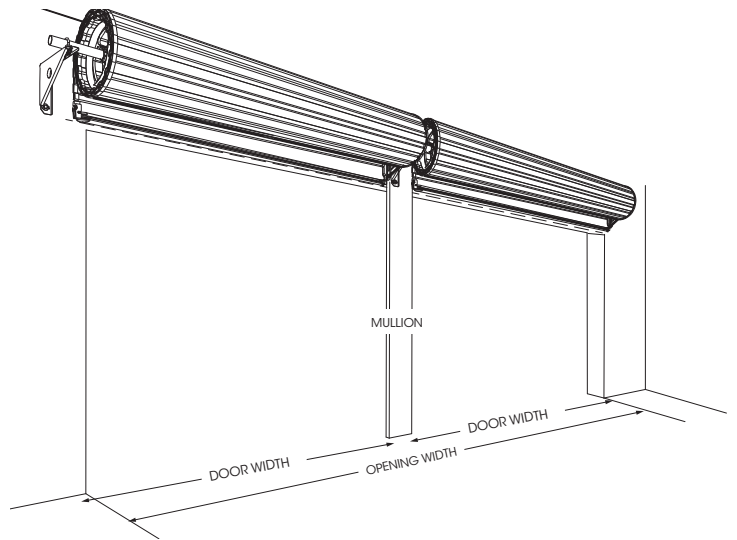
For extra wide openings, special removable mullions are available to provide independent operation of two B&D Roll-A-Doors. They can easily be removed allowing unrestricted access to the full opening width. Mullions are not available with Series 3 Doors.

**WARNING!** Openers can not be installed in conjunction with mullions.

**WARNING!** Windlock Door can not be installed in conjunction with mullions.

**tip** A combination of Series 1 and Series 2 doors cannot be installed in a mullion configuration.

**tip** Mullions not available on Residential doors over 2900mm high.



SERIES 1	SERIES 2
$\text{door width} = \frac{(\text{opening size} - 20) - ((\text{no. of mullions} - 1) \times 70)}{(\text{no. of doors})}$	$\text{door width} = \frac{(\text{opening size} - 10) - ((\text{no. of mullions} - 1) \times 110)}{(\text{no. of doors})}$

**Example 1:** opening size 6000mm  
number of doors = 2  
number of mullions = 1

$$\text{door width} = \frac{(6000 - 20) - ((1 - 1) \times 70)}{2} = 2990\text{mm}$$

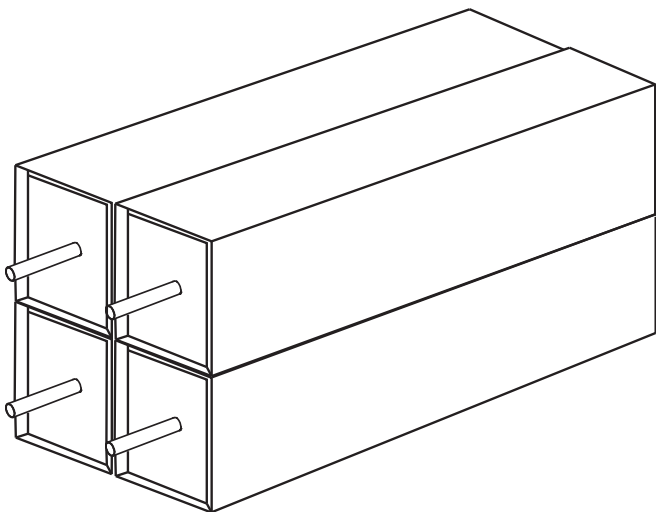
**Example 1:** opening size 15000mm  
number of doors = 3  
number of mullions = 2

$$\text{door width} = \frac{(15000 - 10) - ((2 - 1) \times 110)}{3} = 4960\text{mm}$$

## crating options

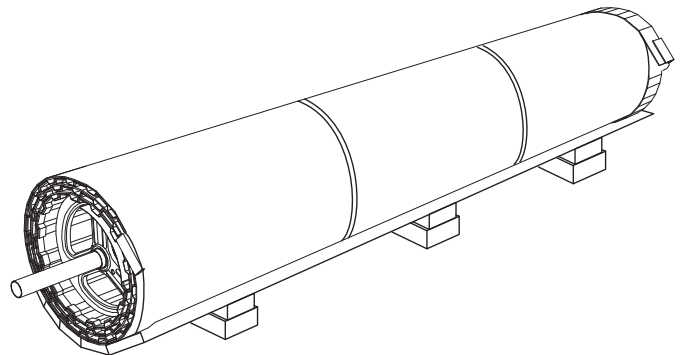
All doors are recommended to have additional crating applied particularly when third party freight is used, doors are travelling long distances and where extra protection is required.

### HARD CARDBOARD BOXING



Available as an option with all Series 1 Doors

### HARD CARDBOARD TUBING WITH TIMBER SKID



Available with all Series 2 & Series 3 Doors as just hard cardboard tubing or hard cardboard tubing with timber skid

Hard Cardboard Tubing available with all Series 1 Doors (except for WA)

