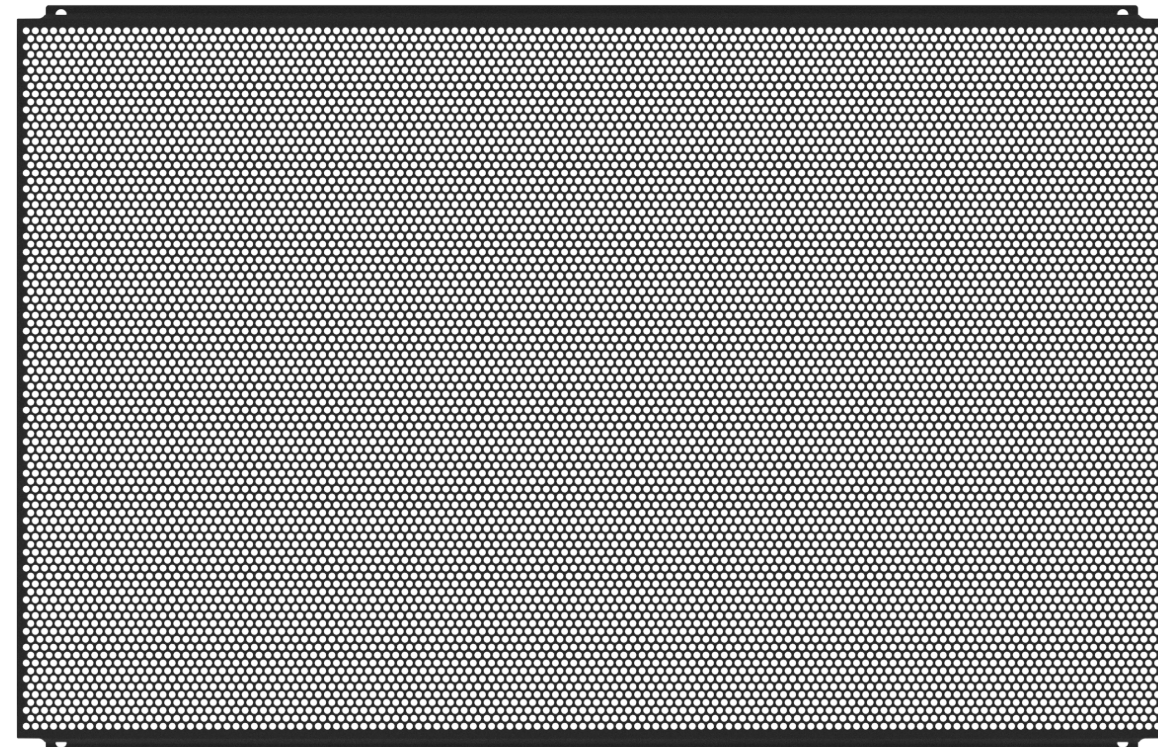
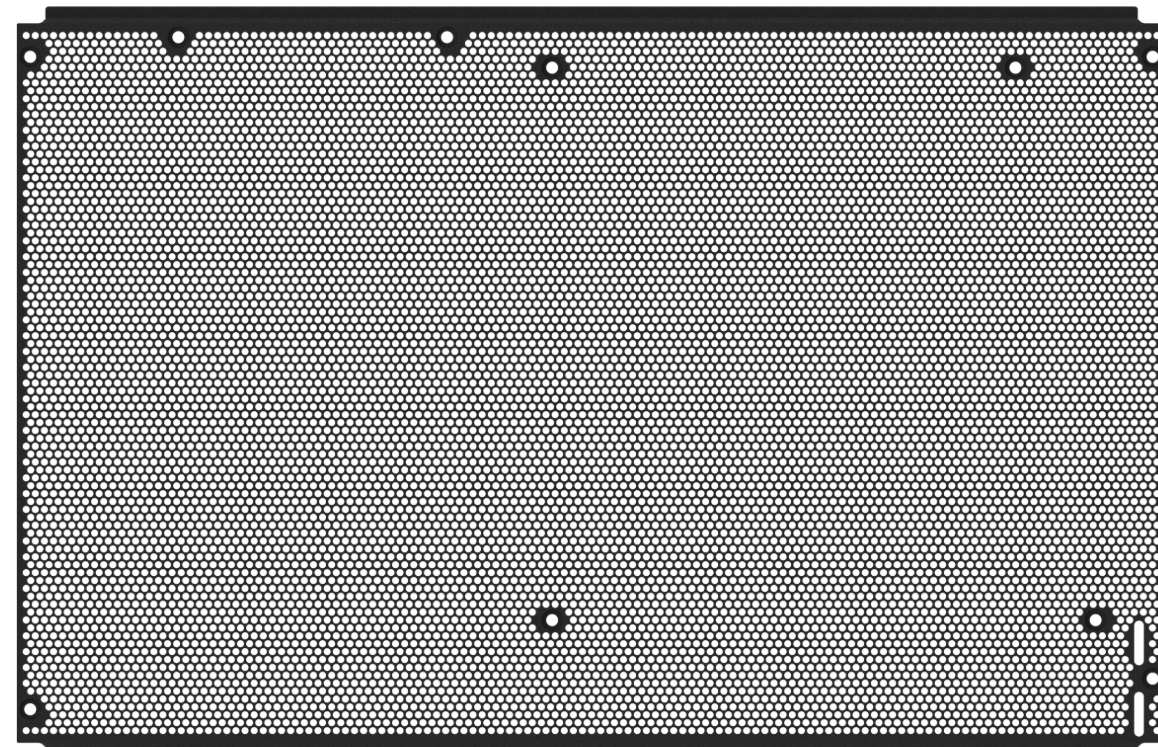


FORM DT1

Reference V2.0
Assembly Manual

FORMD T1

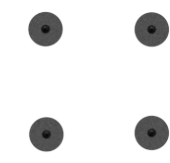
T1 REF V2.0



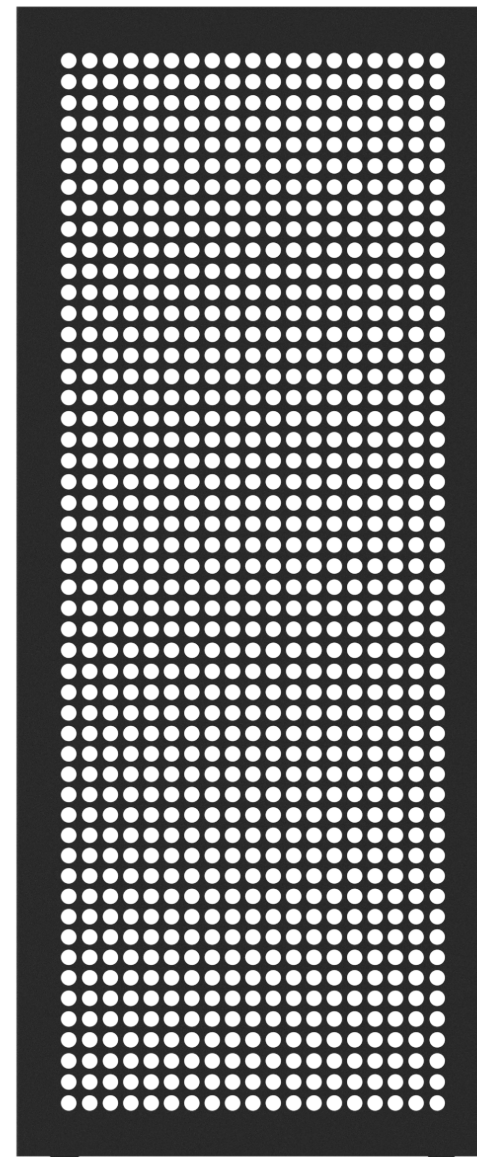
Side Panel x2



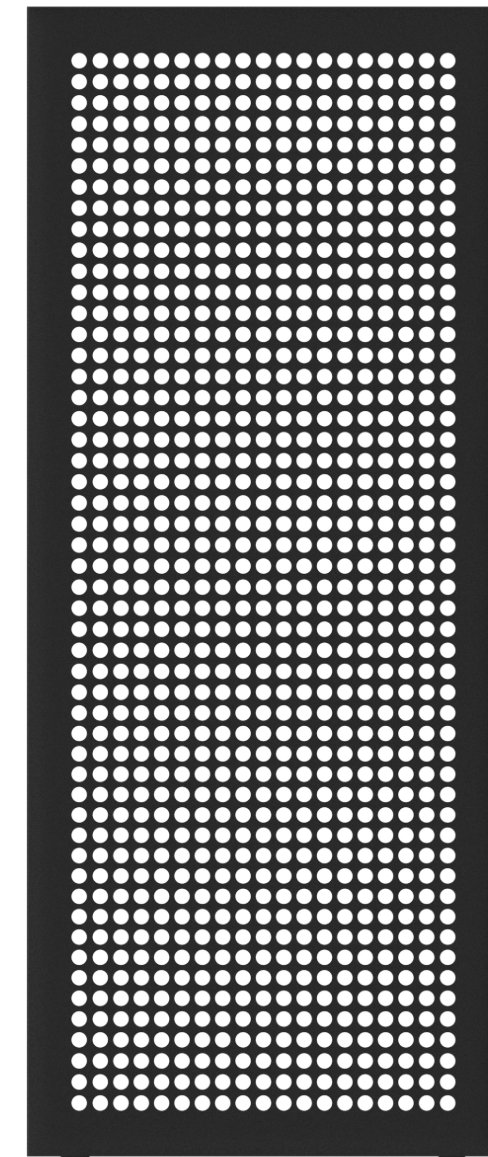
C13-C14 Inlet Cable



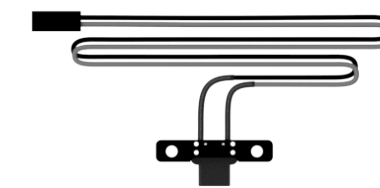
Case Feet



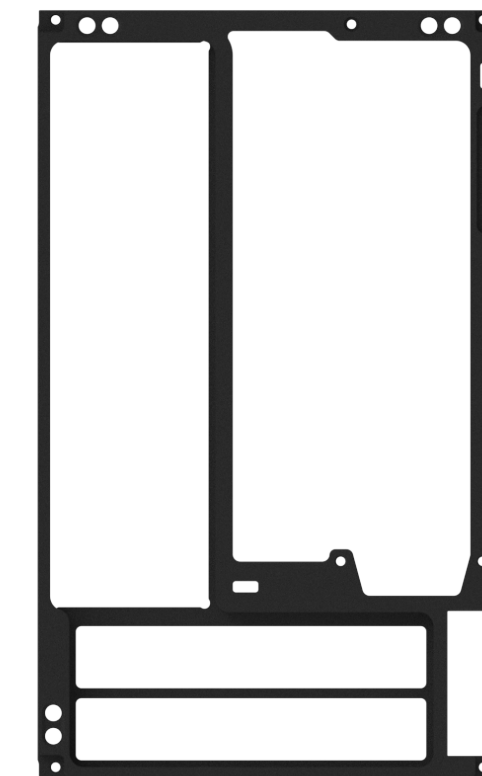
Top/Bottom Panel x2



SFX PSU Bracket



Power Button

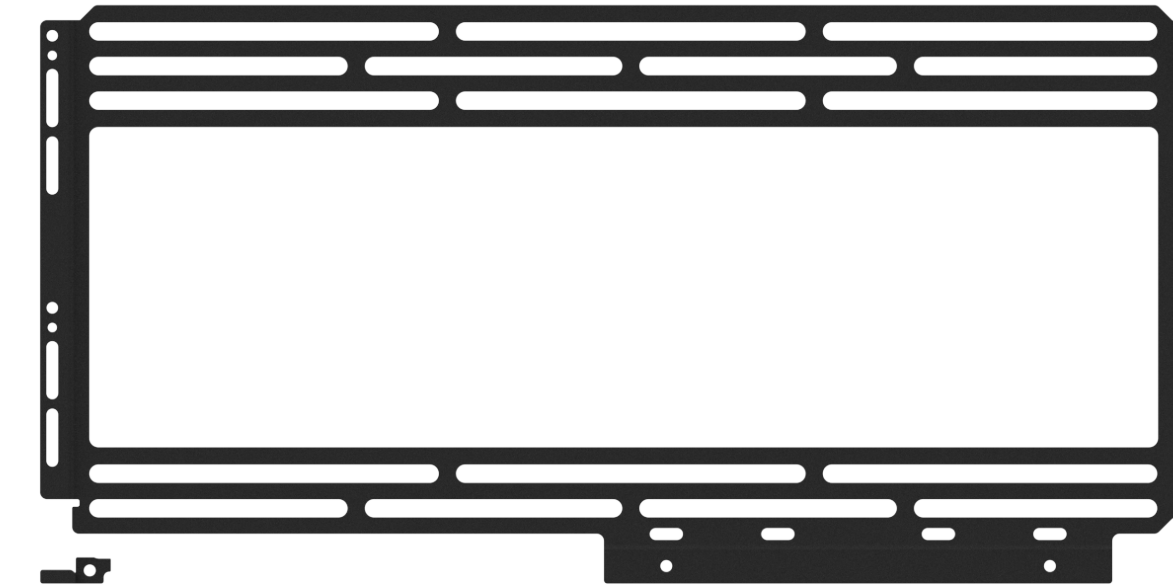


Rear Panel



Front Panel

Side Strut



Fan Bracket Lock Bar

Fan Bracket

CAUTION: do NOT overtighten the screws.

Once resistance is encountered, do not tighten more than one-quarter turn. Each fastener is different in length or head shape, and putting them to each other is an excellent way to identify them.

* The screw pack is intended for standard T1 (Sandwich).



M3 Thumbscrew
(THUMB-6)



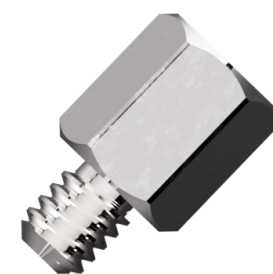
M3 Flat Head Screw
(M3-4)



M3 Countersunk Screw
(CSM3-5)



M3 Countersunk Screw
(CSM3-8)



M3 Standoff
(STANDOFF-5)



M3 Female Standoff
(STANDOFF-F6, for motherboard only)

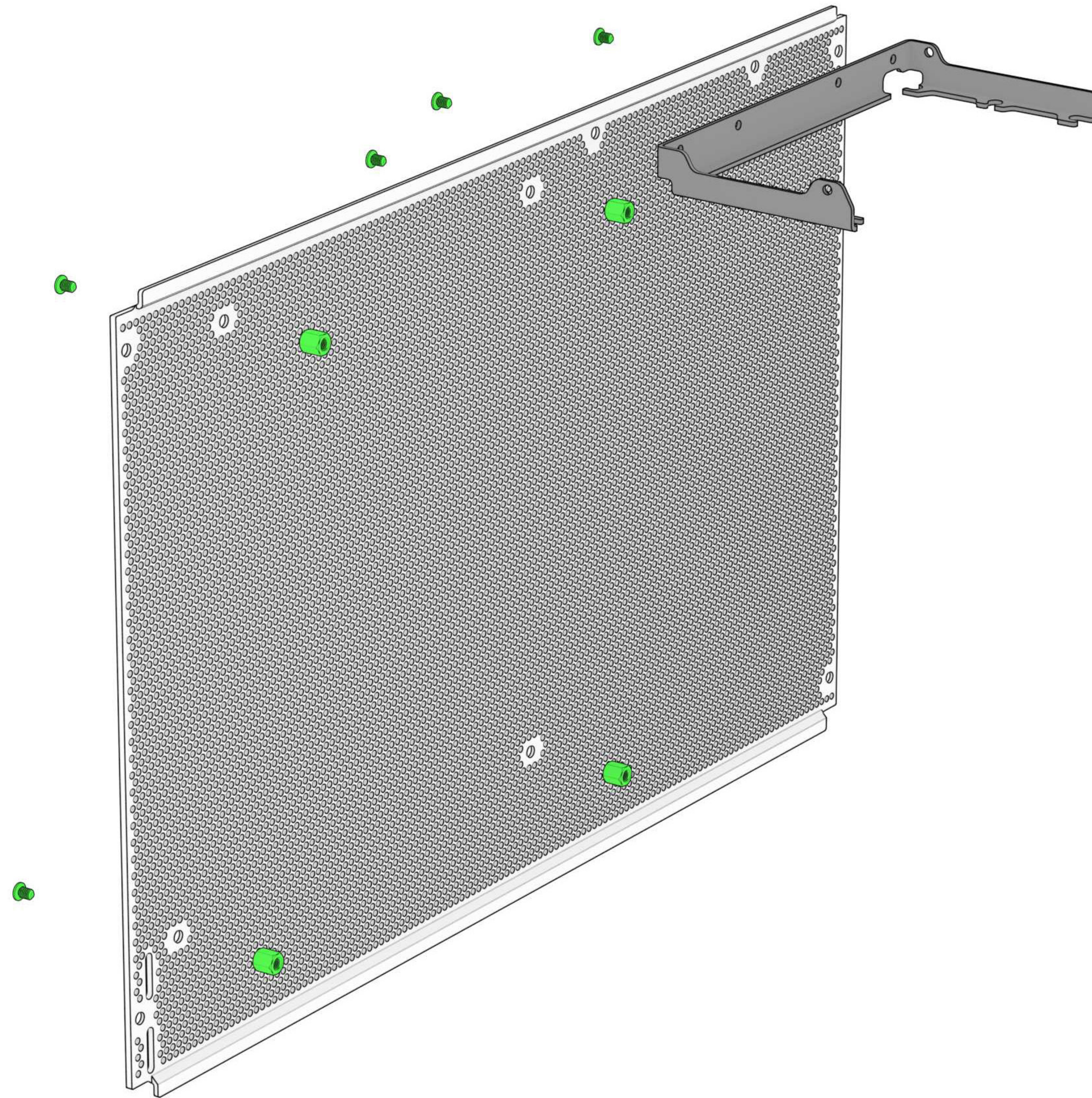
FORMD T1

T1 REF V2.0

Fasteners:

M3-4 x6

STANDOFF-F6 x4

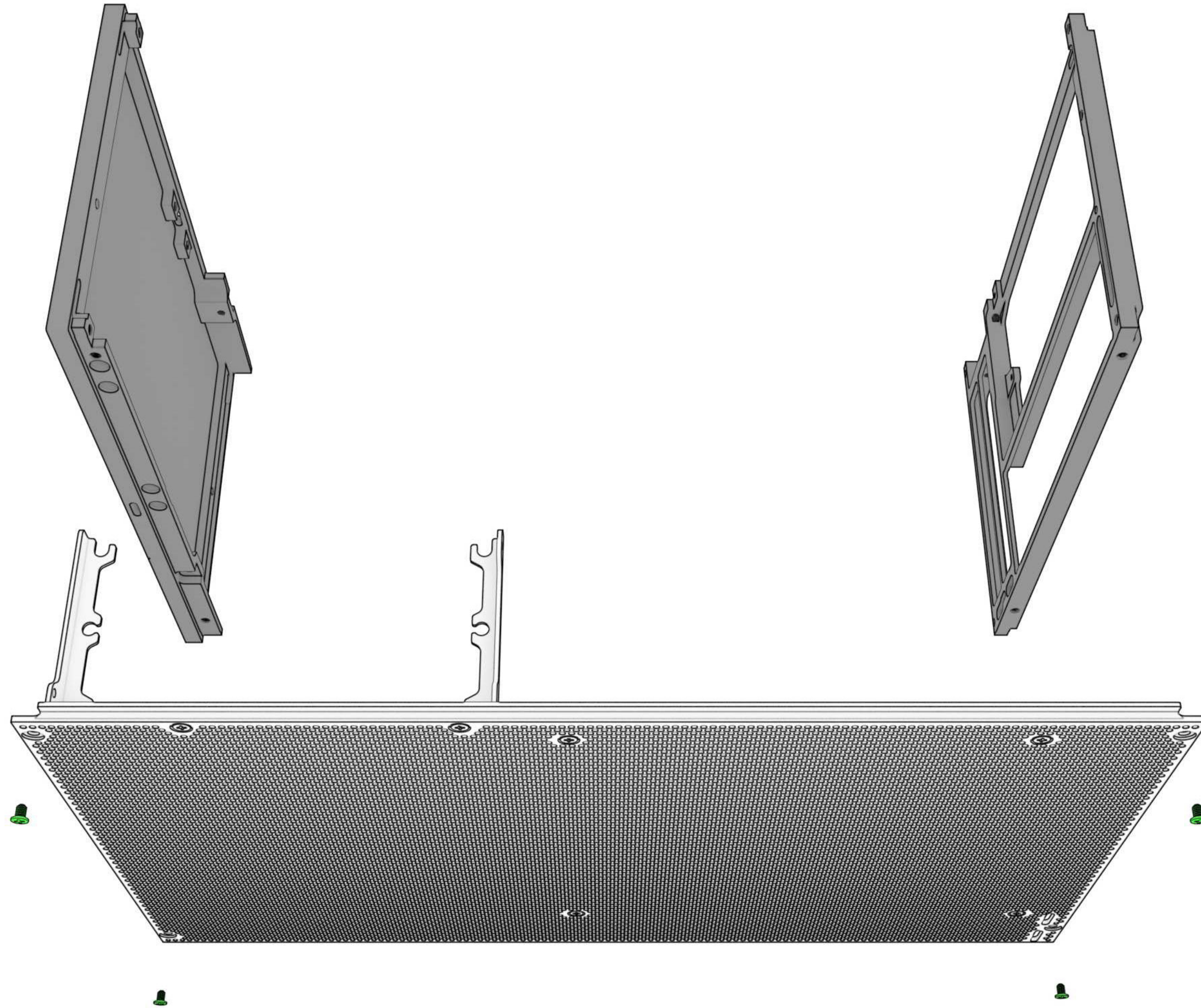


FORMD T1

T1 REF V2.0

Fasteners:

M3-4 x4



FORMD T1

T1 REF V2.0

Fasteners:

CSM3-5 x2



FORM T1

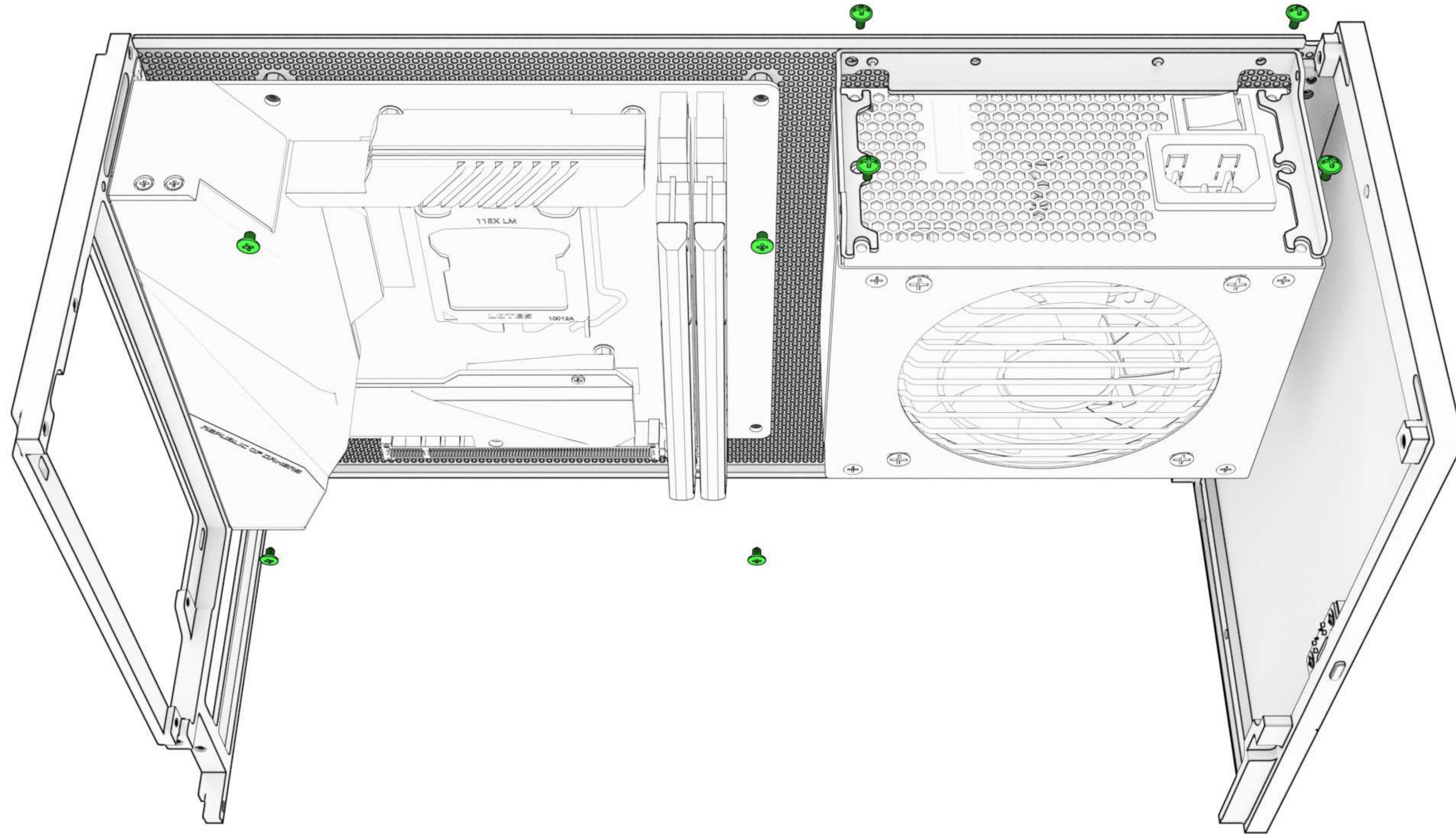
T1 REF V2.0

Fasteners:

M3-4 x4

#6-32 x4

* #6-32 used for the power supply installation is not included

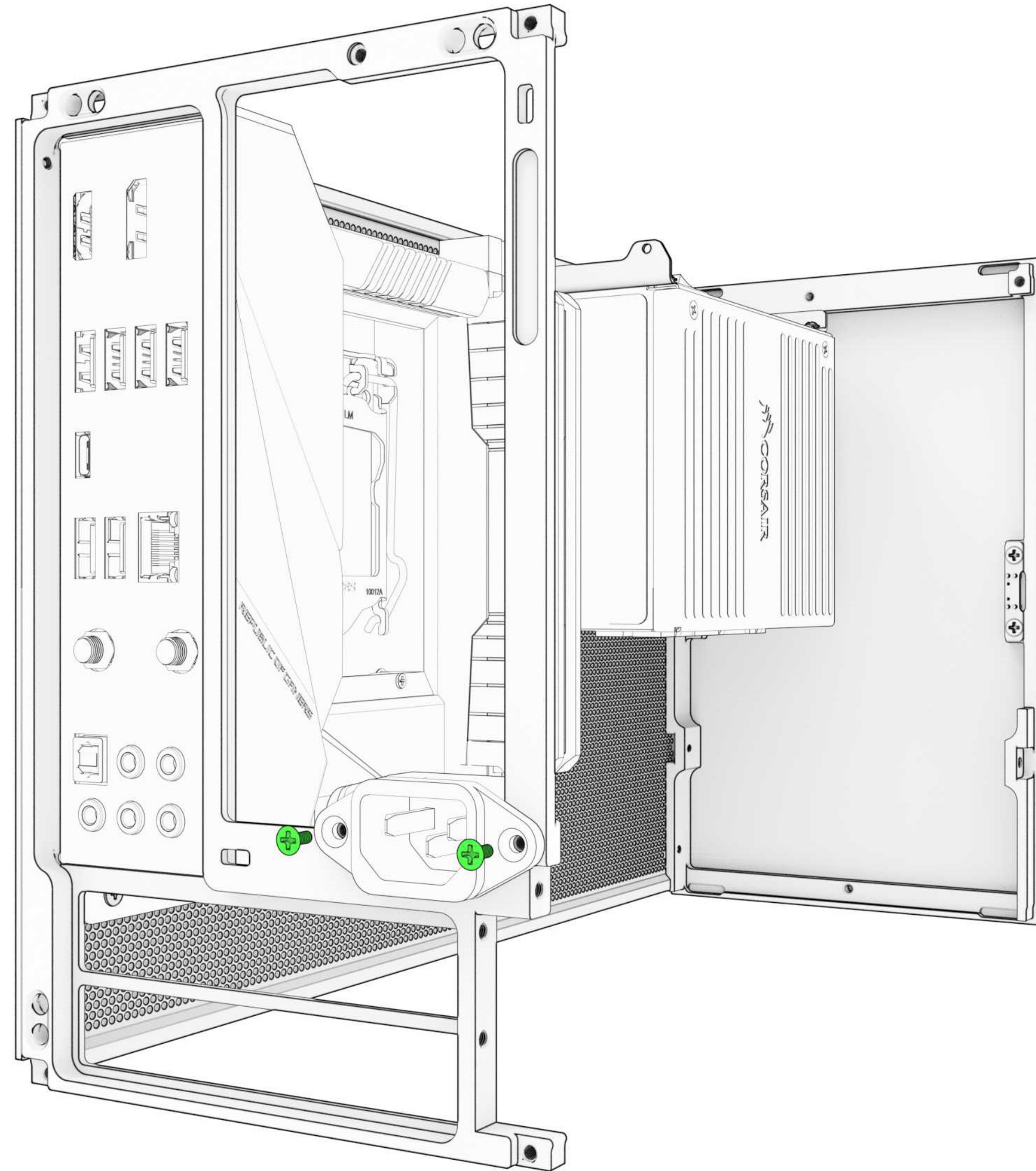


FORM D T1

T1 REF V2.0

Fasteners:

CSM3-8 x2

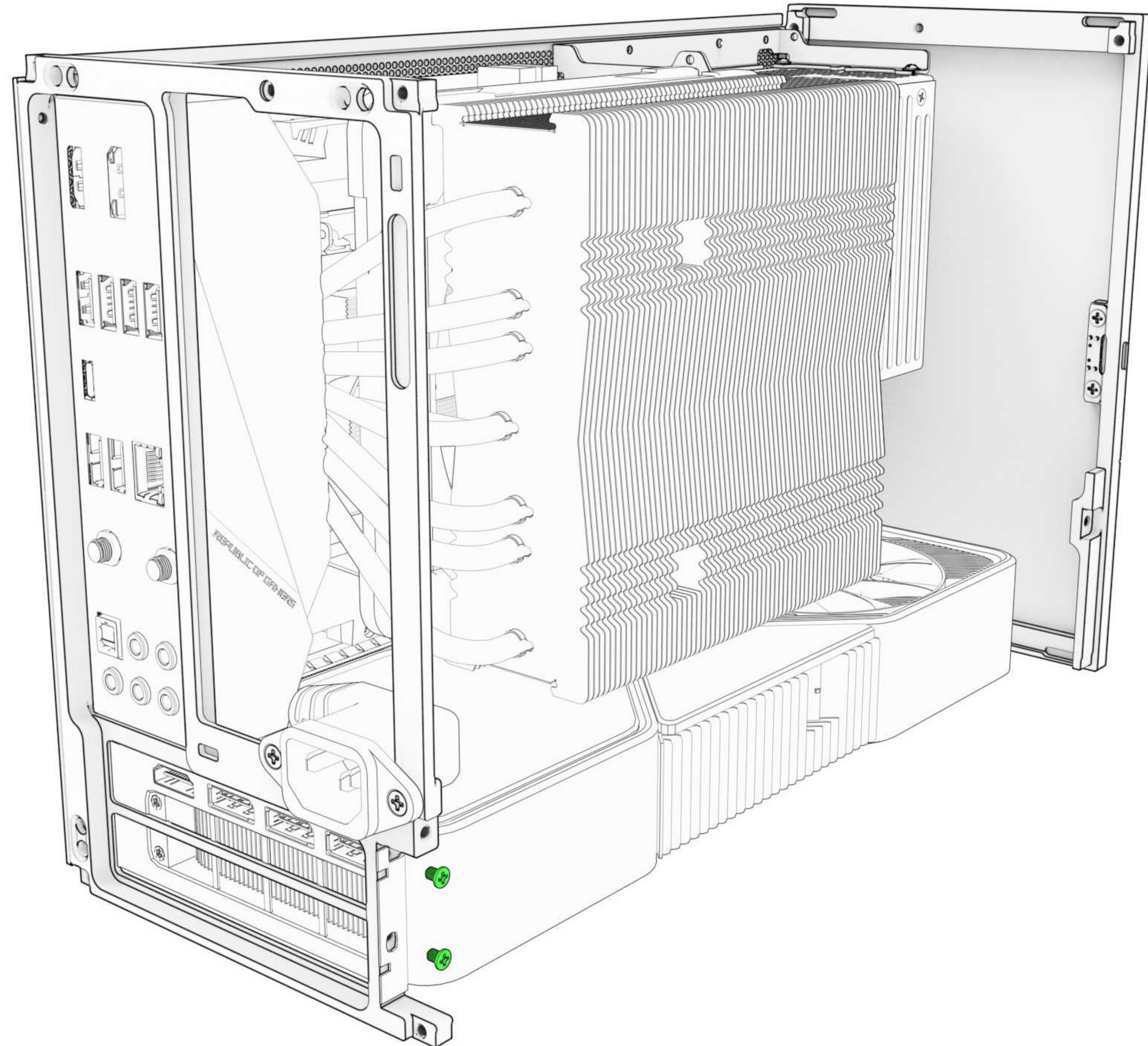


FORMD T1

T1 REF V2.0

Fasteners:

M3-4 x2



FORMD T1

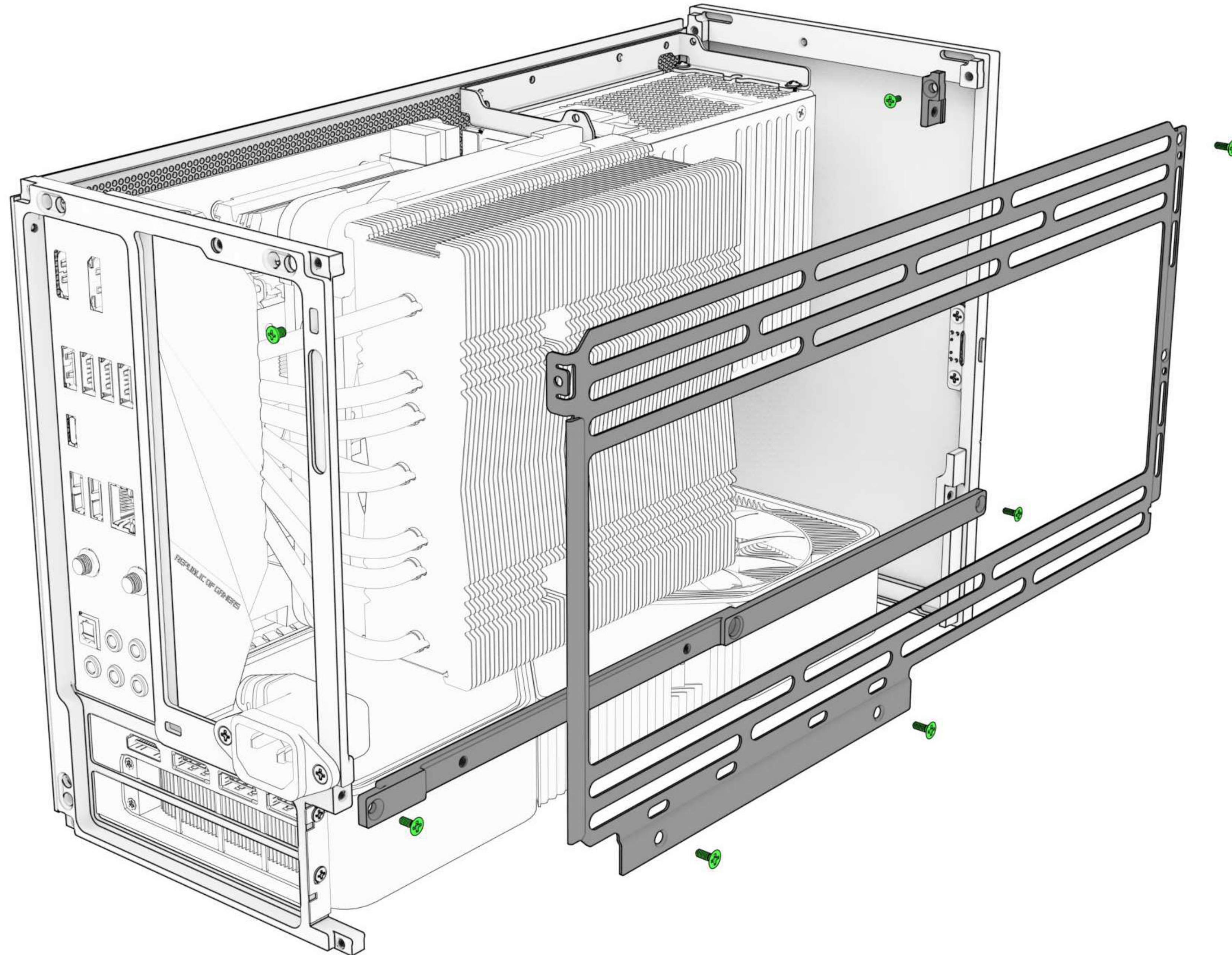
T1 REF V2.0

Fasteners:

M3-4 x1

CSM3-5 x3

CSM3-8 x3

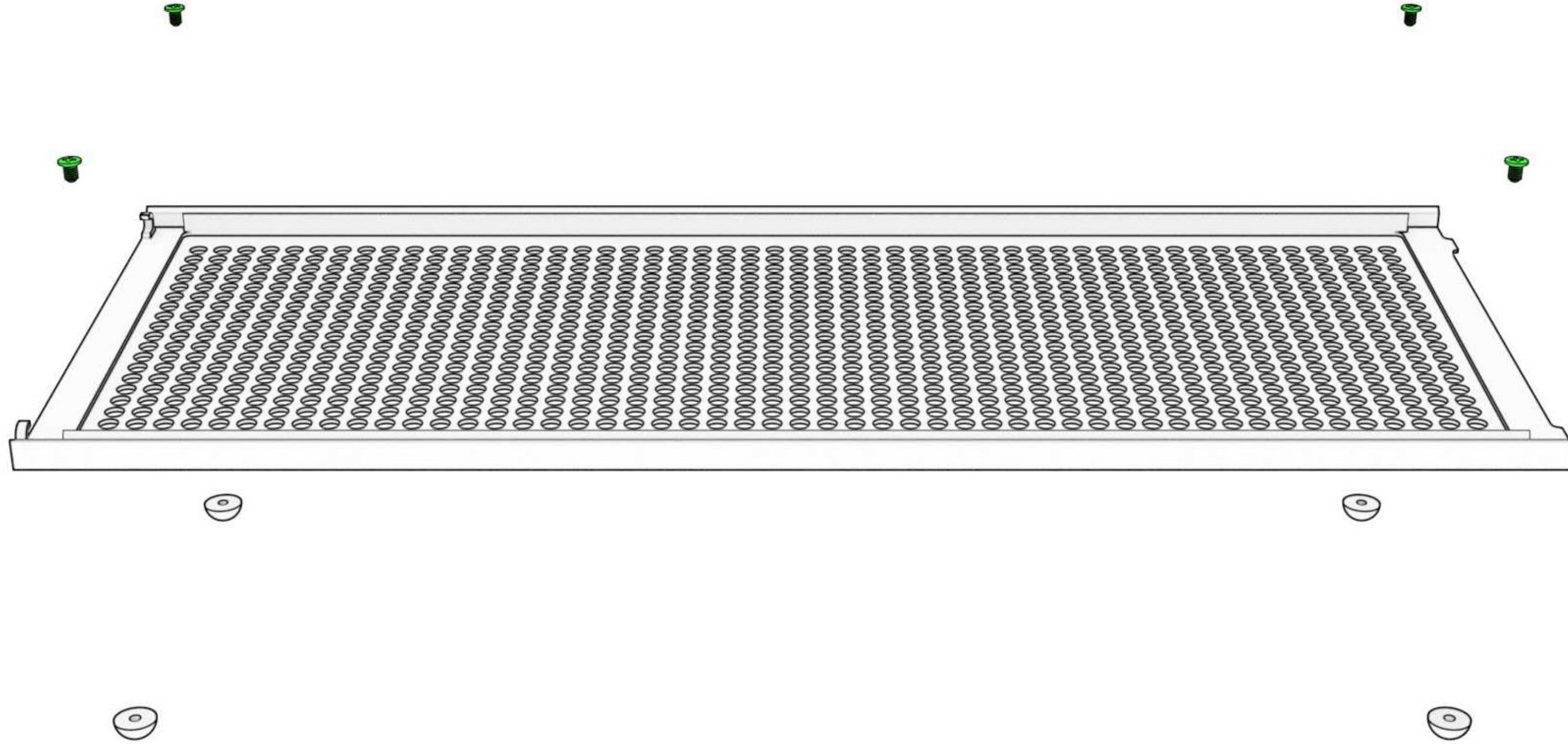


FORM DT1

T1 REF V2.0

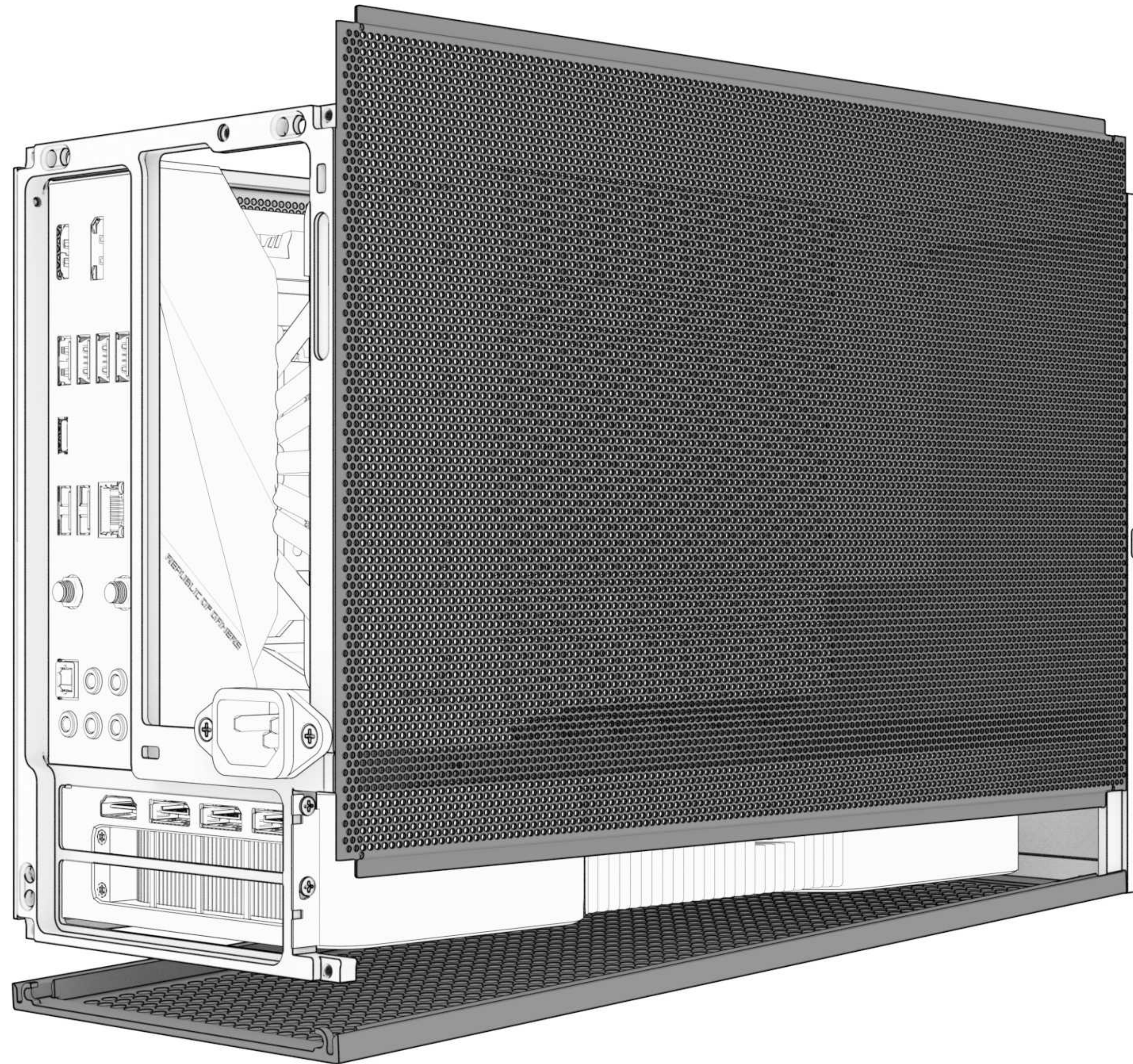
Fasteners:

CSM3-5 x4



FORMD T1

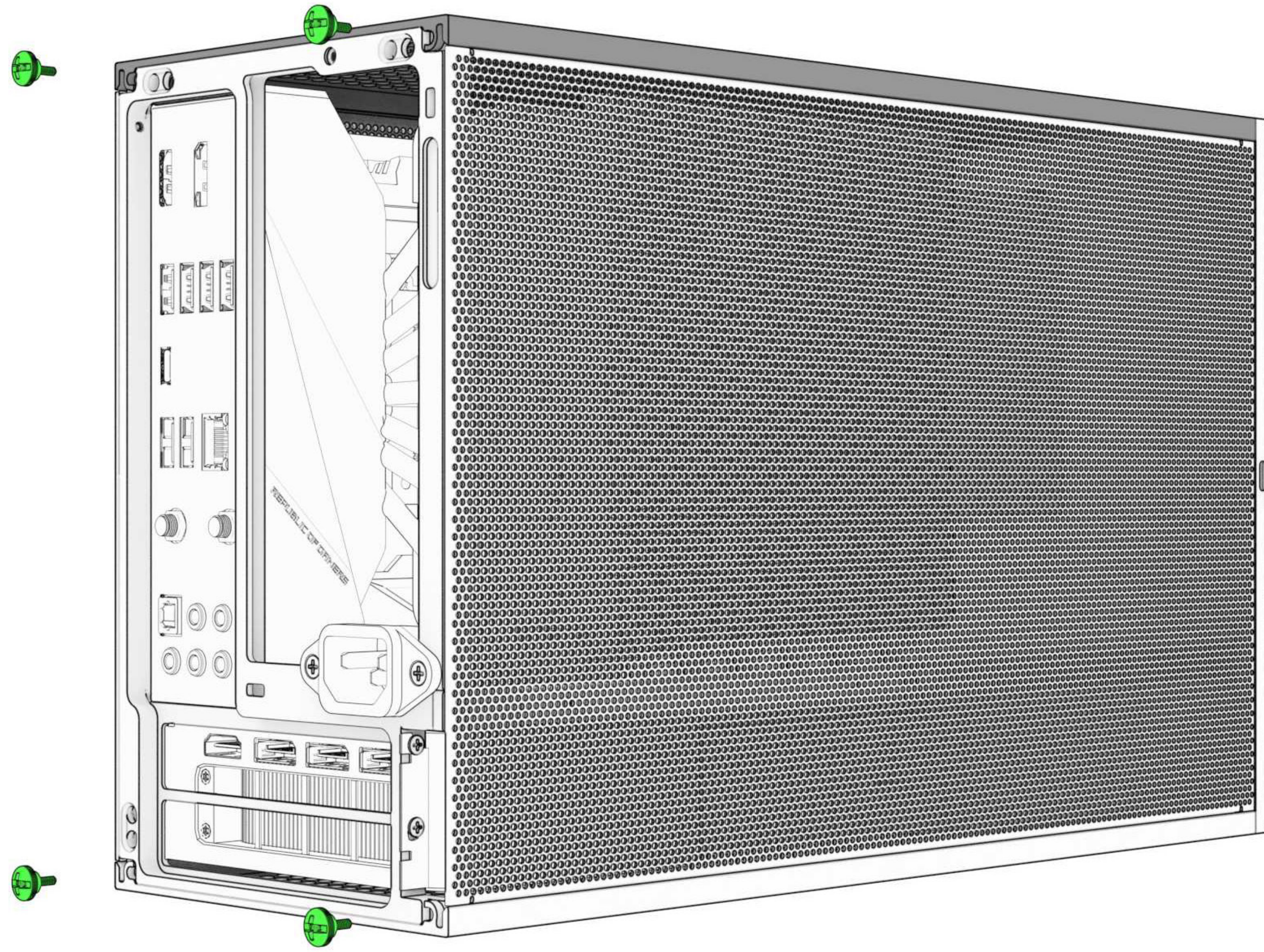
T1 REF V2.0



FORMD T1

T1 REF V2.0

Fasteners:
THUMB-6 x4



Brought to you by the FORMD Team.