

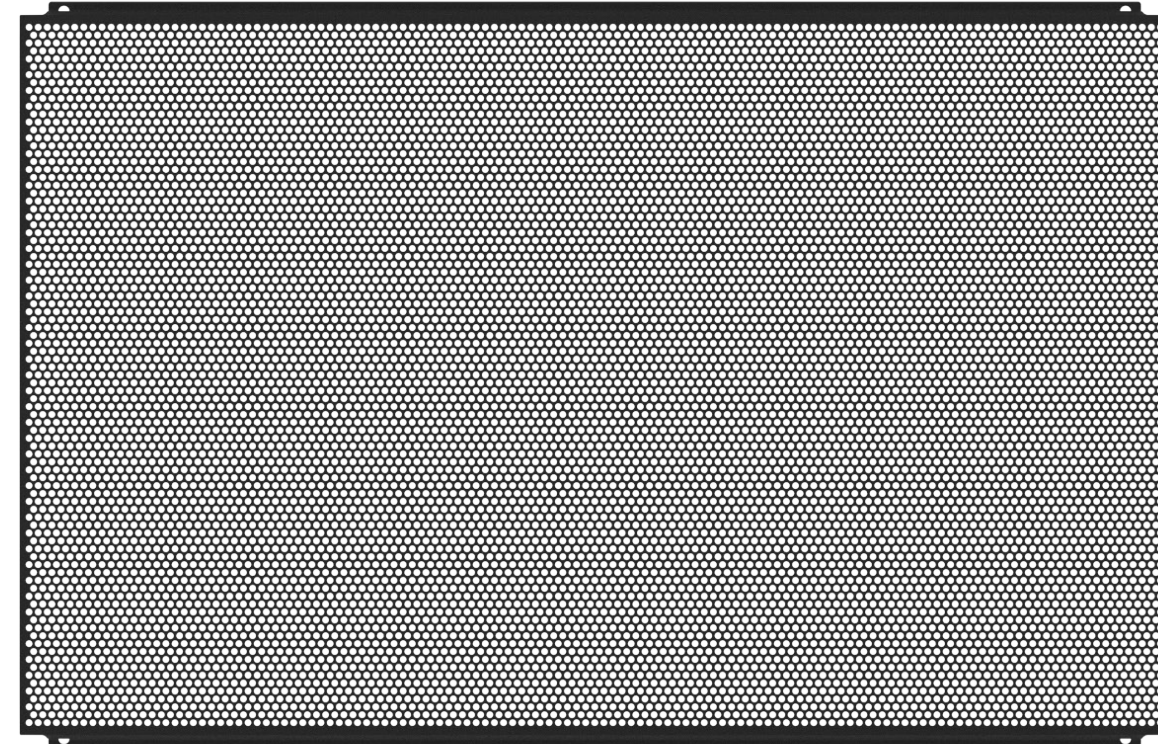
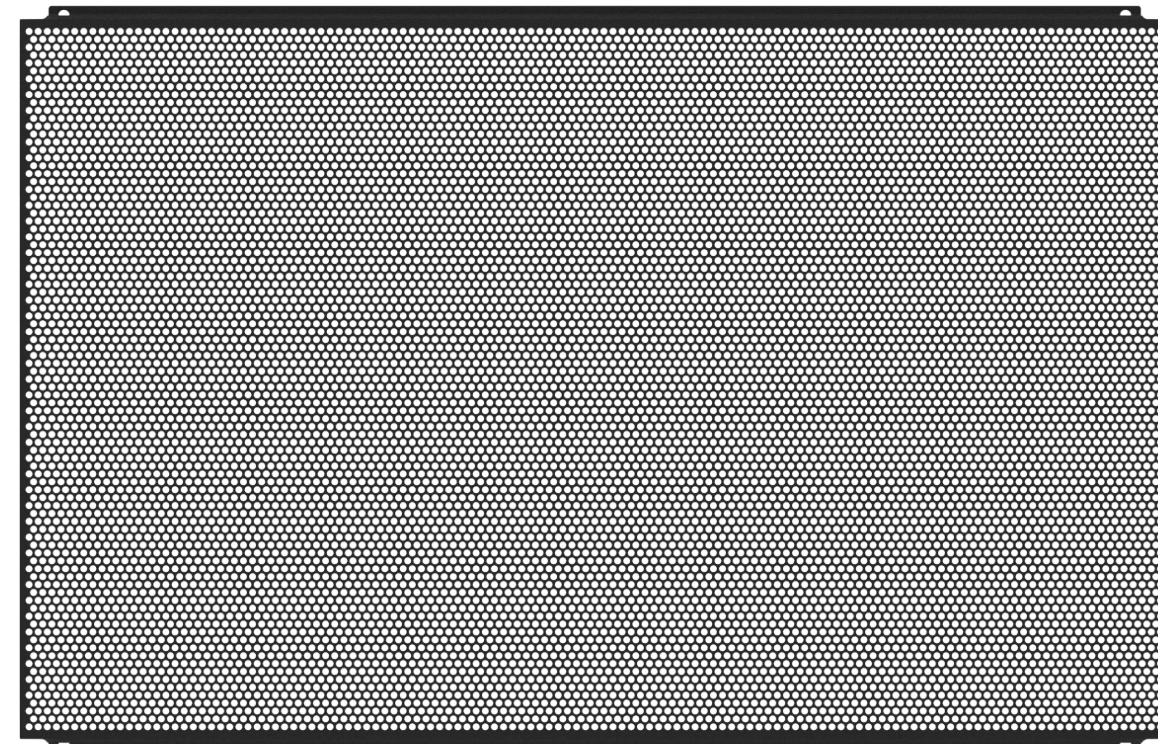
# FORM DT

V2.1

Assembly Manual

# FORM D T1

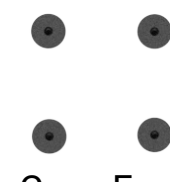
T1 V2.1



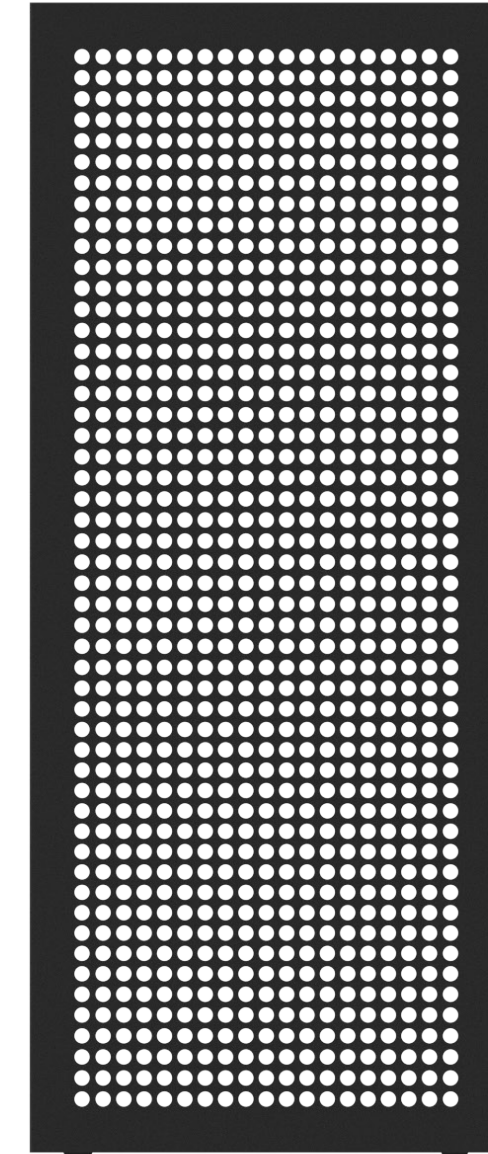
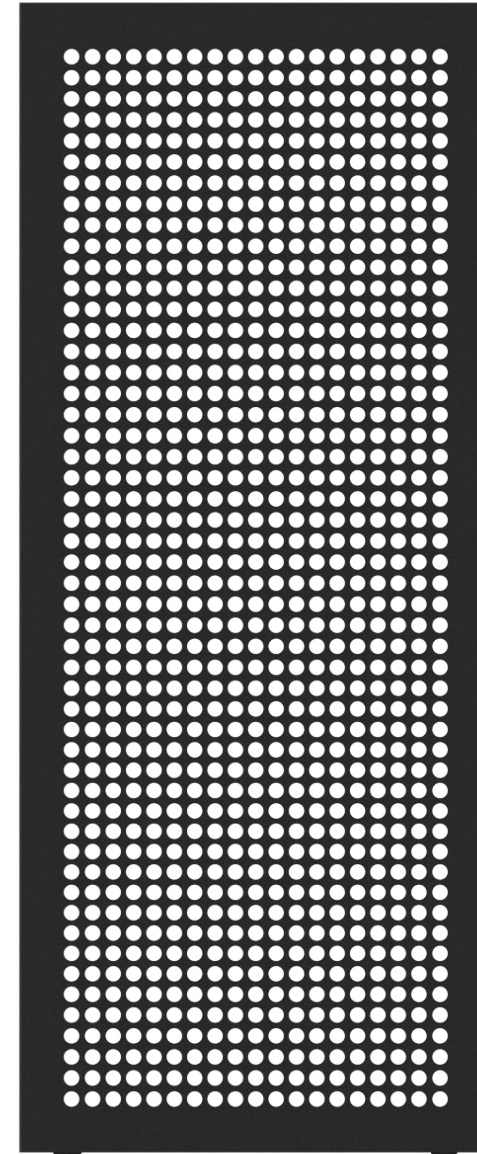
Side Panel x2



C13-C14 Inlet Cable



Case Feet



Top/Bottom Panel x2



Fan Bracket x2



AIO Bracket x2



SFX PSU Bracket



Rear Panel



Front Panel



Top Strut



Side Strut x2



Shift IO Bracket



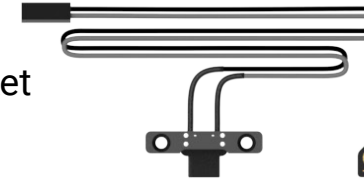
PCIe Riser Bar



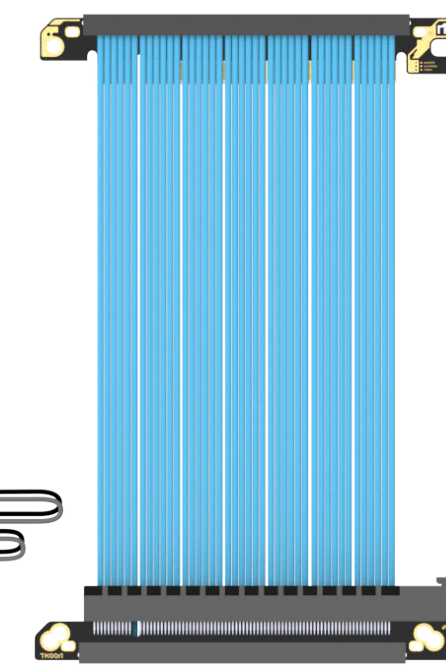
Long/Short GPU Bracket



IO Cover x2



Power Button



PCIe 4.0 Riser Cable

**CAUTION: do NOT overtighten the screws.** Once resistance is encountered, do not tighten more than one-quarter turn. Each fastener is different in length or head shape, and putting them to each other is an excellent way to identify them.



**x4**

M3 Thumbscrew  
(THUMB-6)



**x12**

M3 Flat Head Screw  
(M3-4)



**x16**

M3 Countersunk Screw  
(CSM3-5)



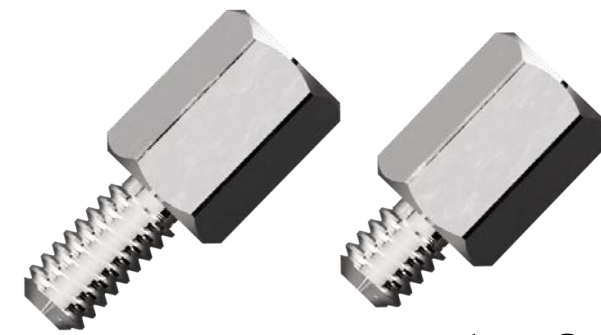
**x11**

M3 Countersunk Screw  
(CSM3-8)



**x3**

M3 Standoff  
(STANDOFF-5)



**x1, x3**

M3 Standoff  
(STANDOFF-6, for motherboard only)



**x2**

M3 Standoff  
(STANDOFF-10)



**x1**

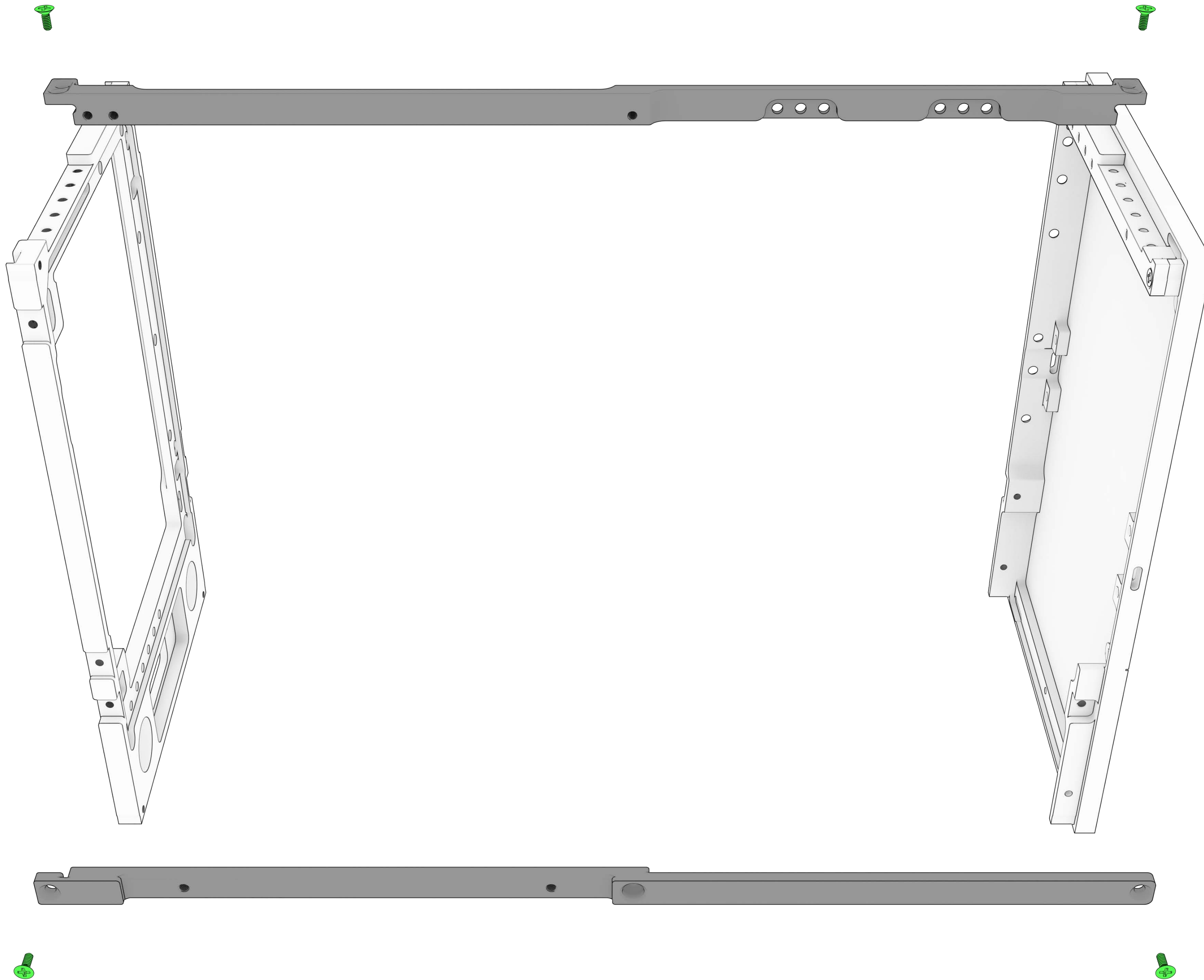
M3 Standoff  
(STANDOFF-20)

# FORM DT1

T1 V2.1

Fasteners:

CSM3-8 x 4

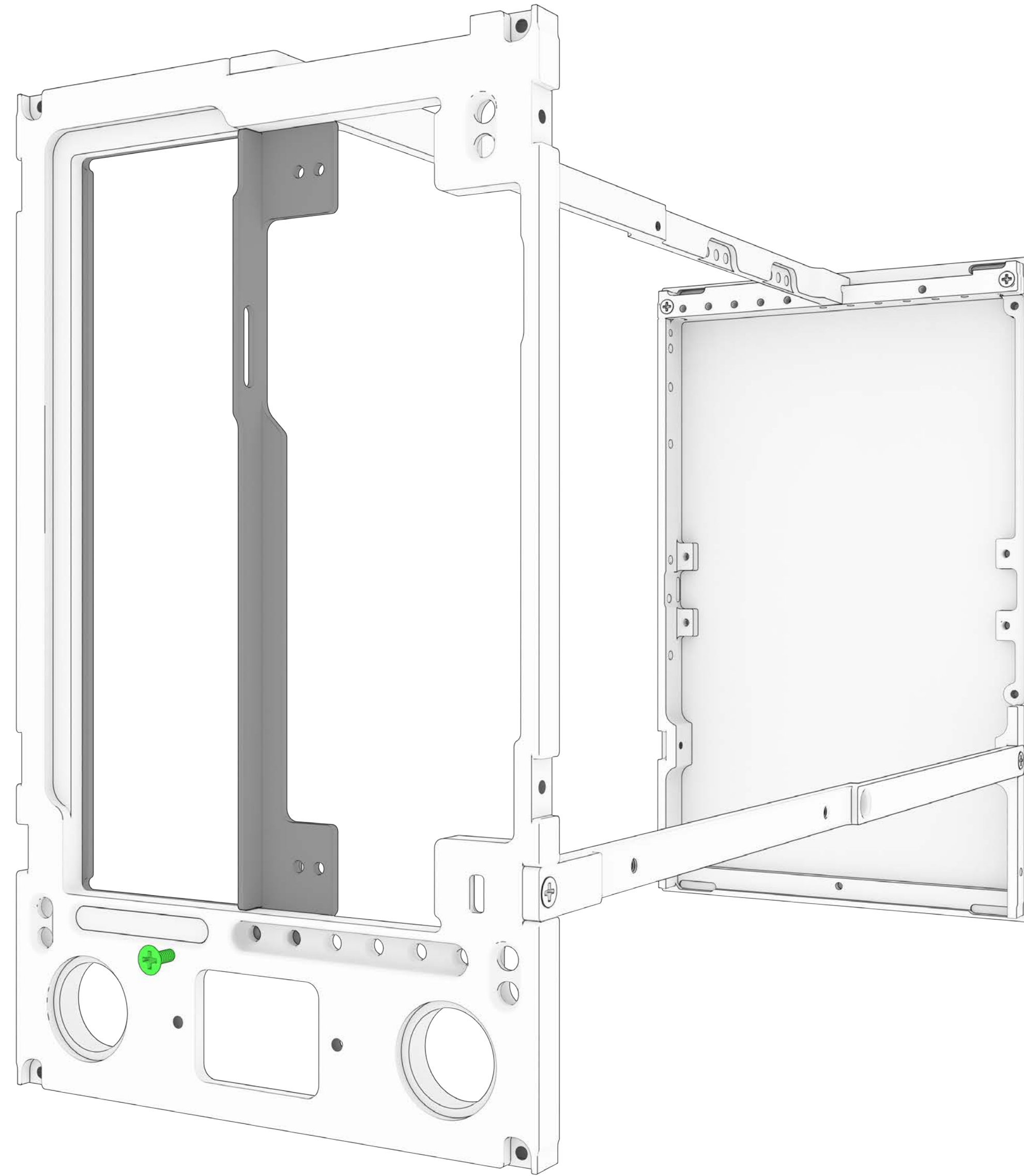


# FORMD T1

T1 V2.1

Fasteners:

CSM3-5 x 1



# FORMD T1

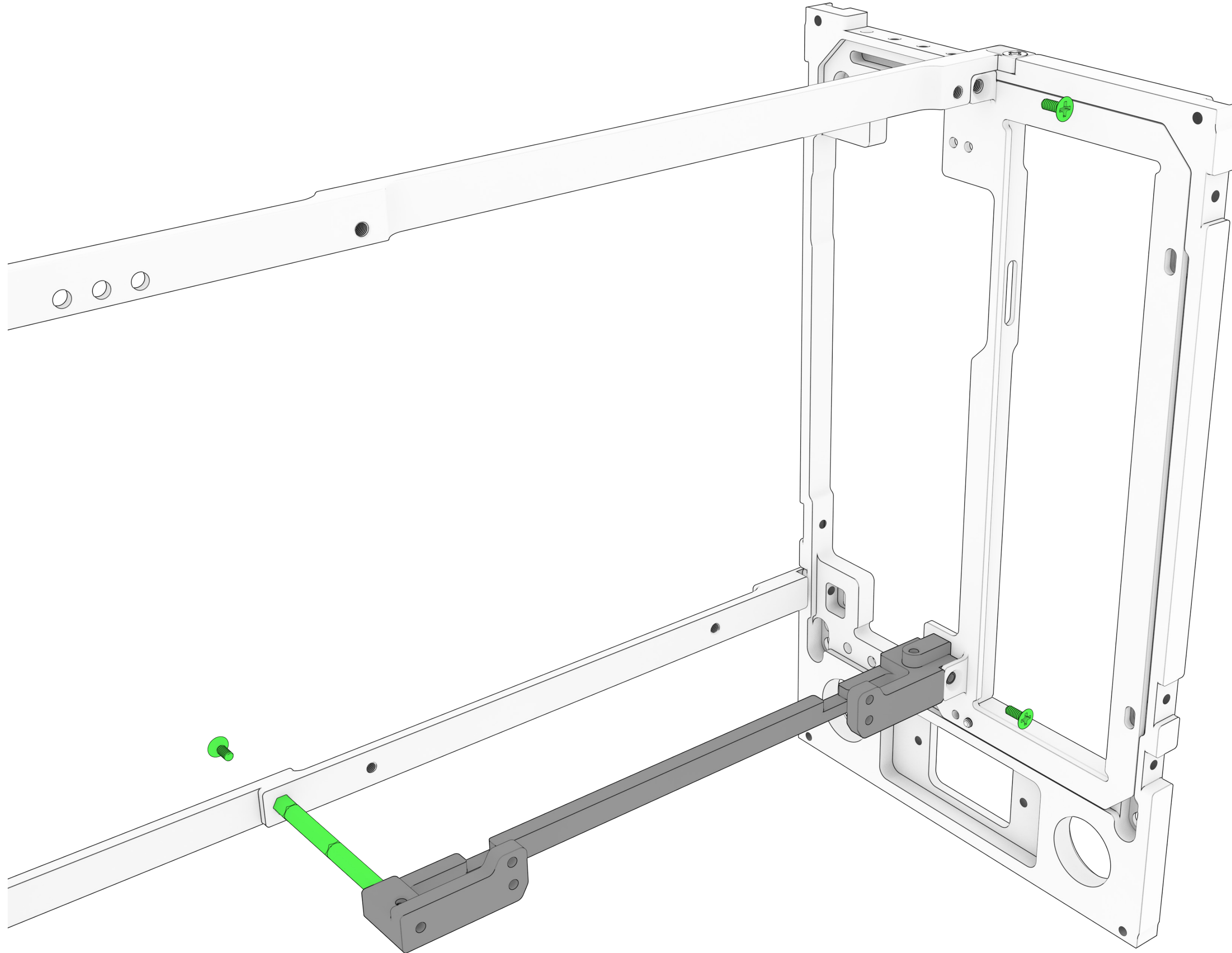
T1 V2.1

## Fasteners:

CSM3-5 x 1  
CSM3-8 x 2

STANDOFF-10 x 2  
STNADOFF-20 x 1

\* Standoffs used here  
varies with the spacing  
allocated for the GPU



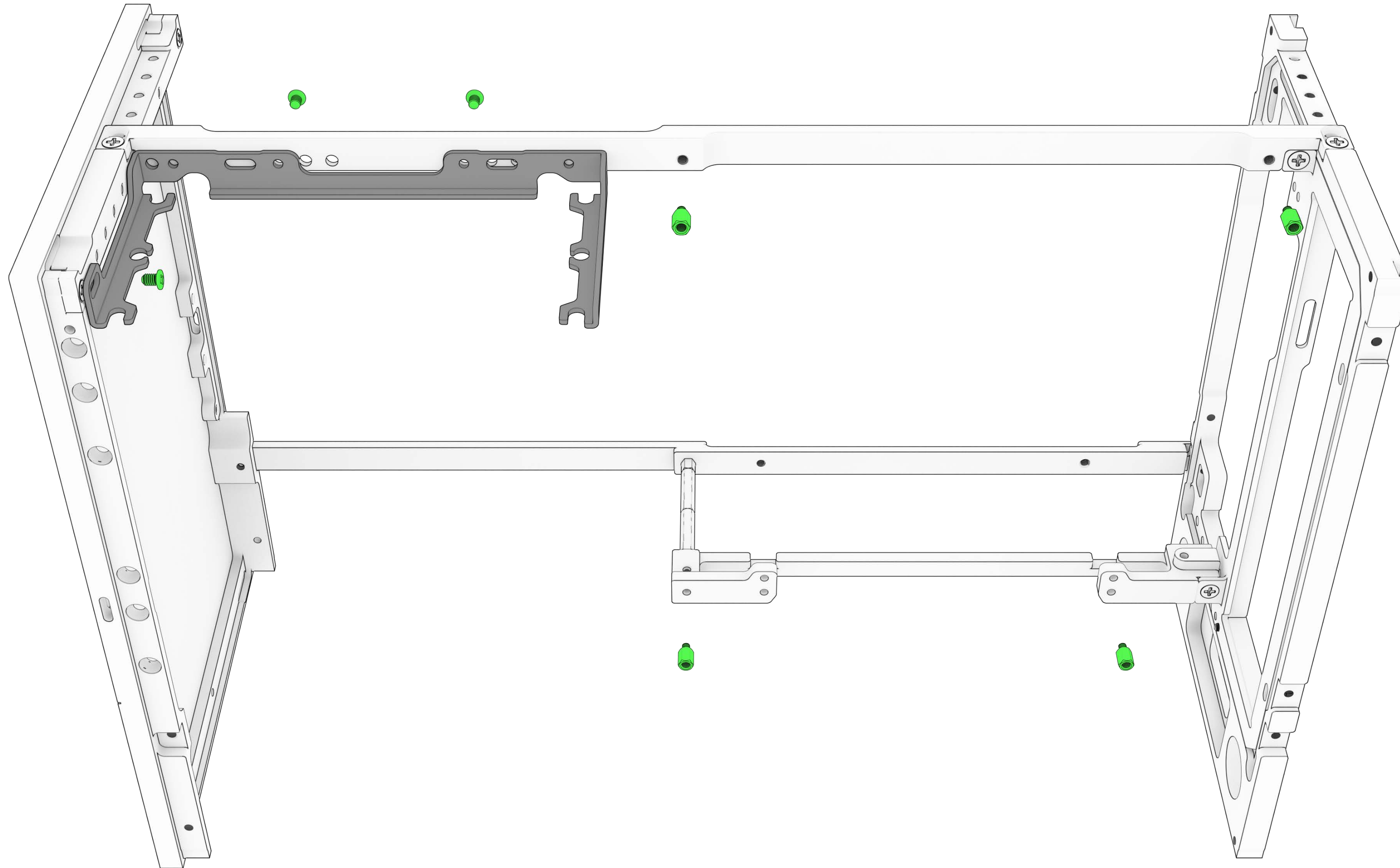
# FORM DT1

T1 V2.1

Fasteners:

M3-4 x 3

STANDOFF-6 x 4

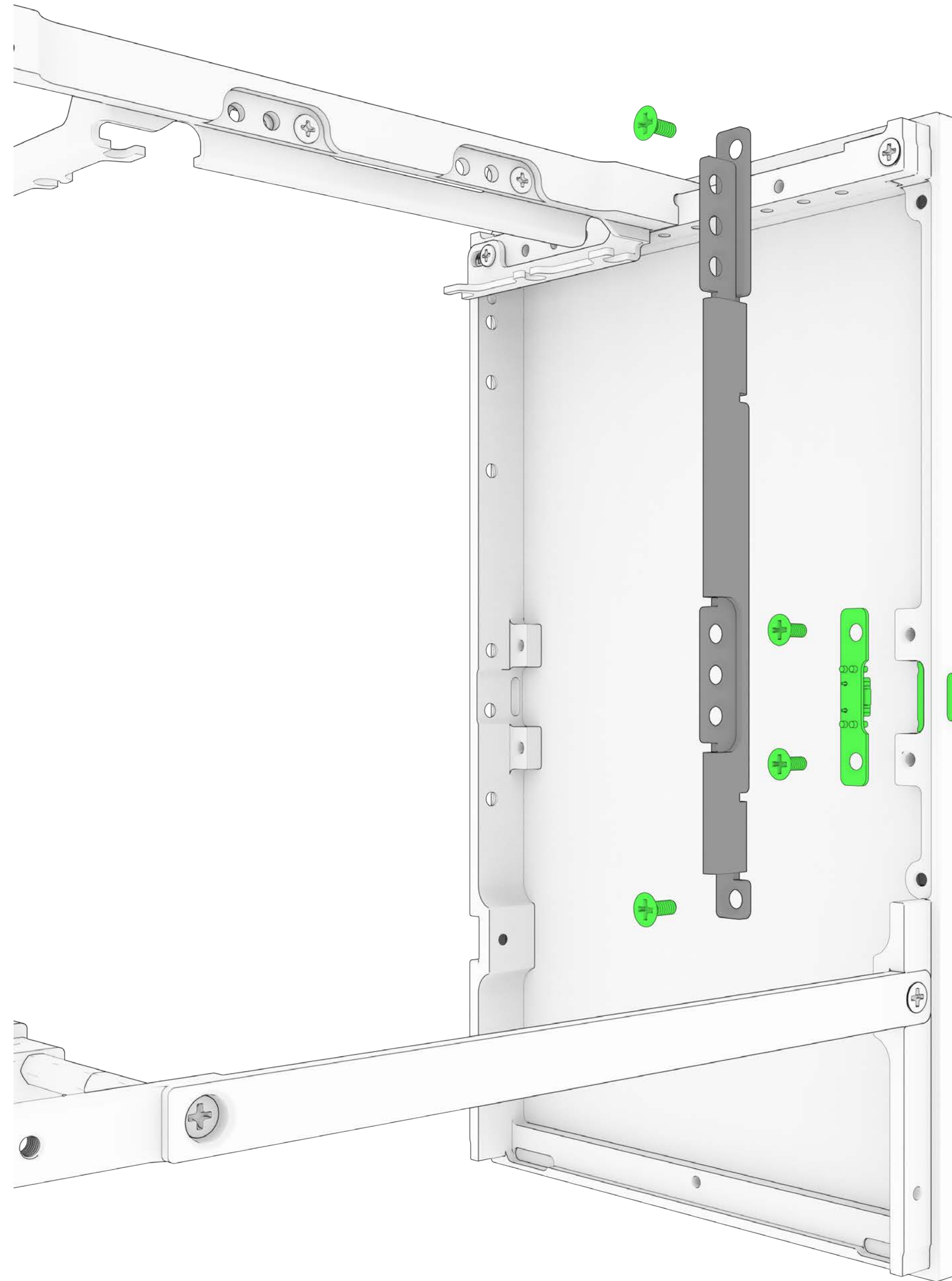


# FORMD T1

T1 V2.1

Fasteners:

CSM3-5 x 4



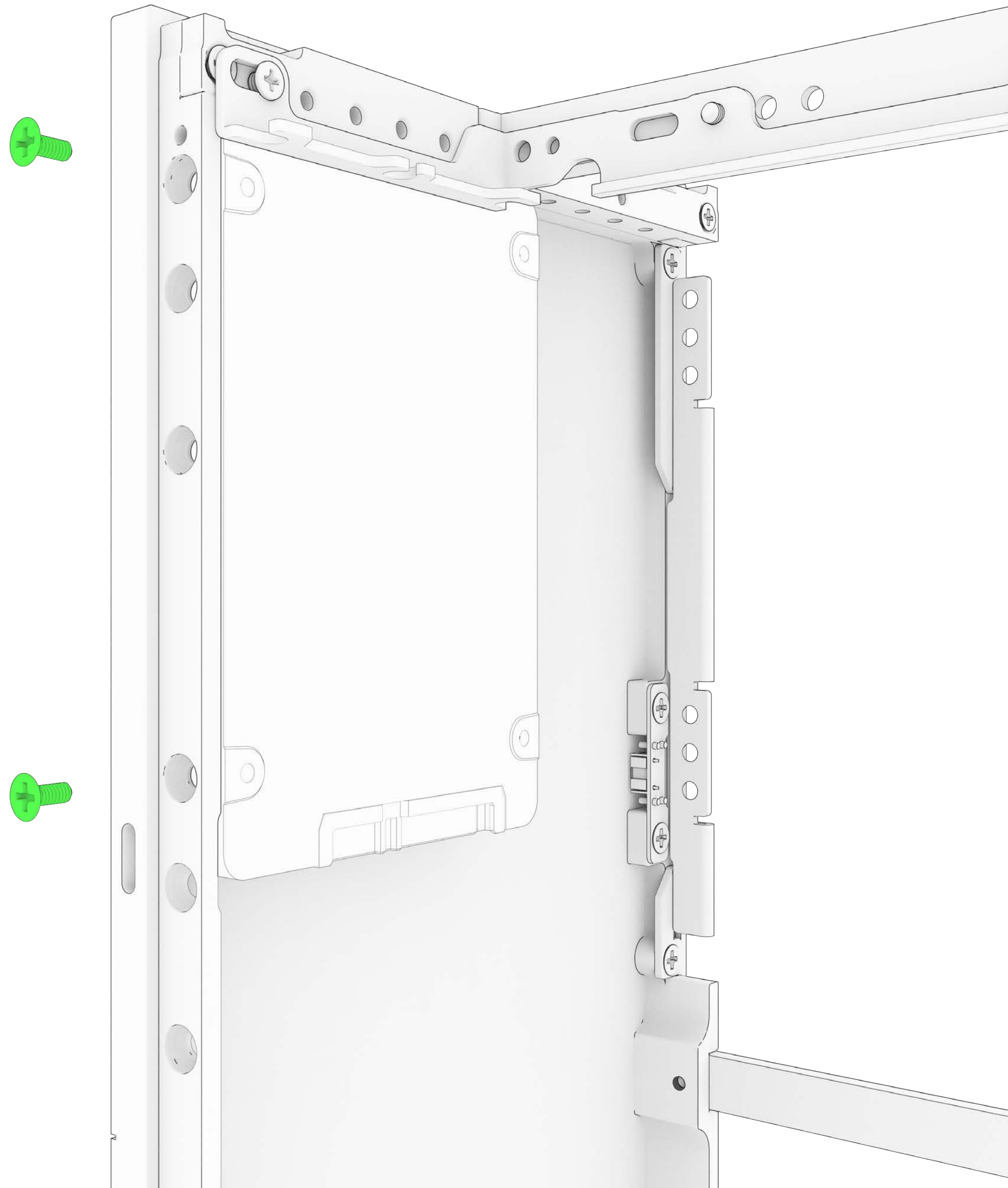


# FORMD T1

T1 V2.1

Fasteners:

CSM3-5 x 2



# FORM DT1

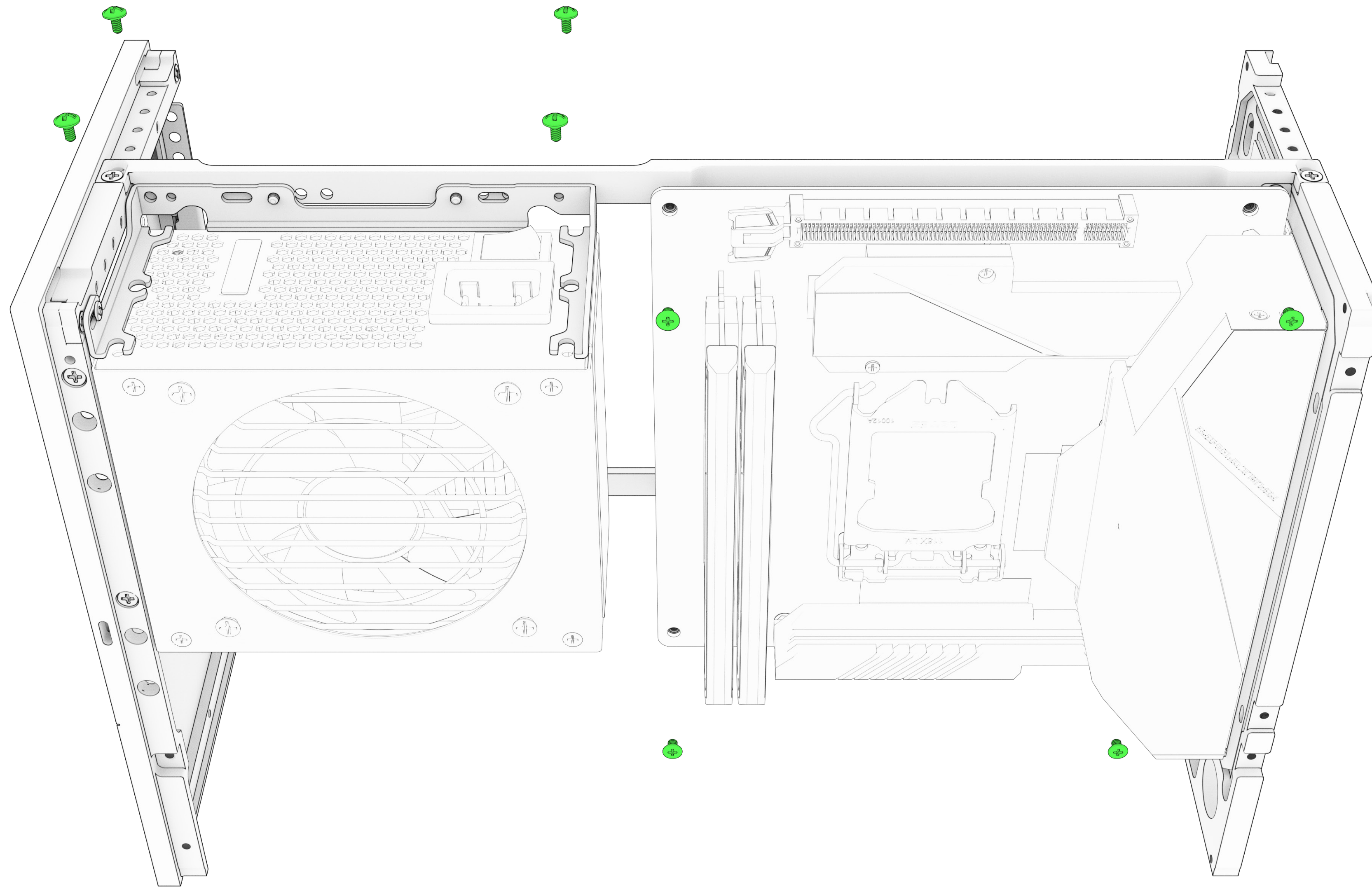
T1 V2.1

Fasteners:

M3-4 x 4

#6-32 x 4

\* #6-32 used for the power supply installation is not included

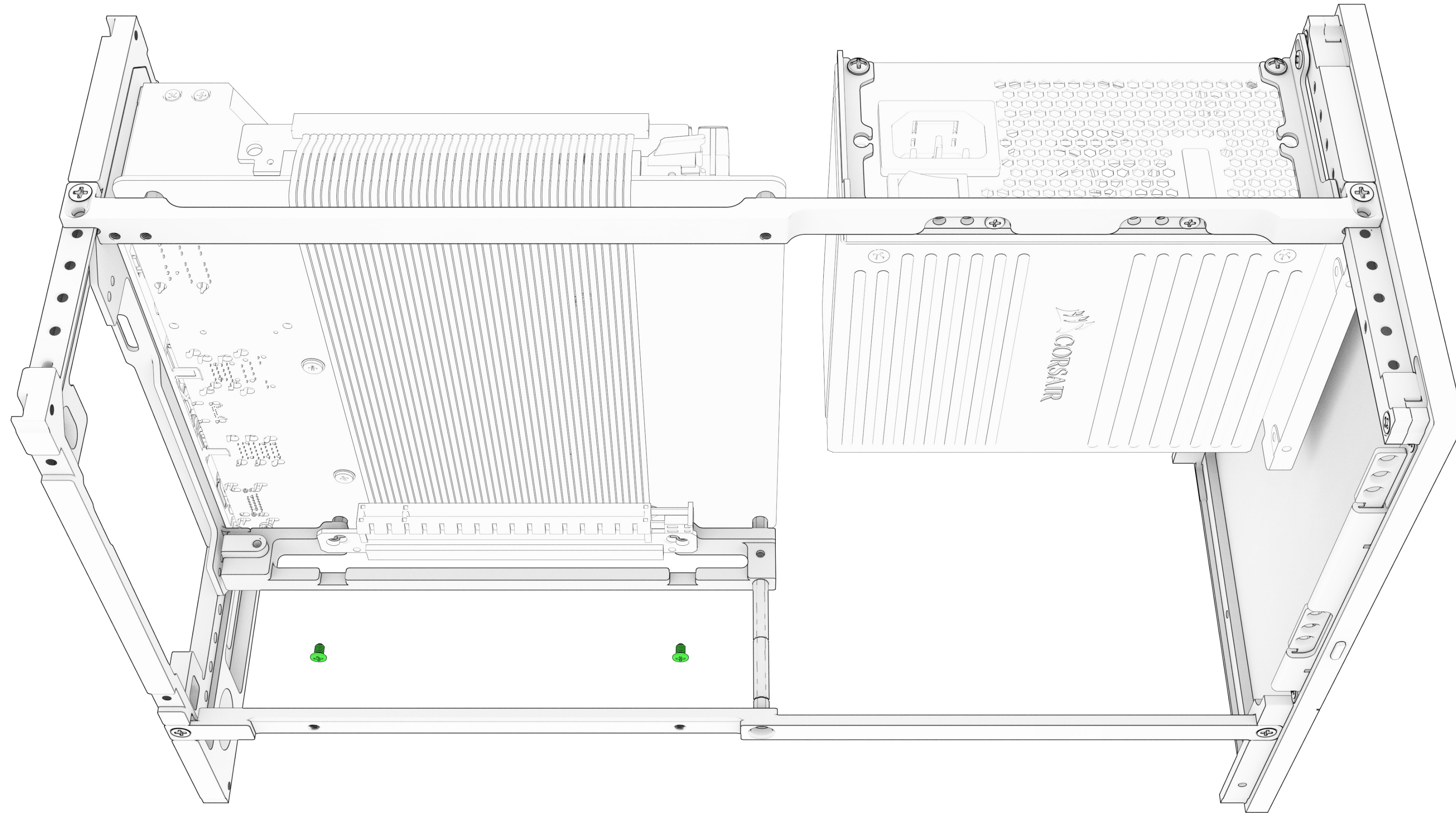


# FORM DT1

T1 V2.1

Fasteners:

M3-4 x 2



# FORMD T1

T1 V2.1

Fasteners:

M3-4 x 2



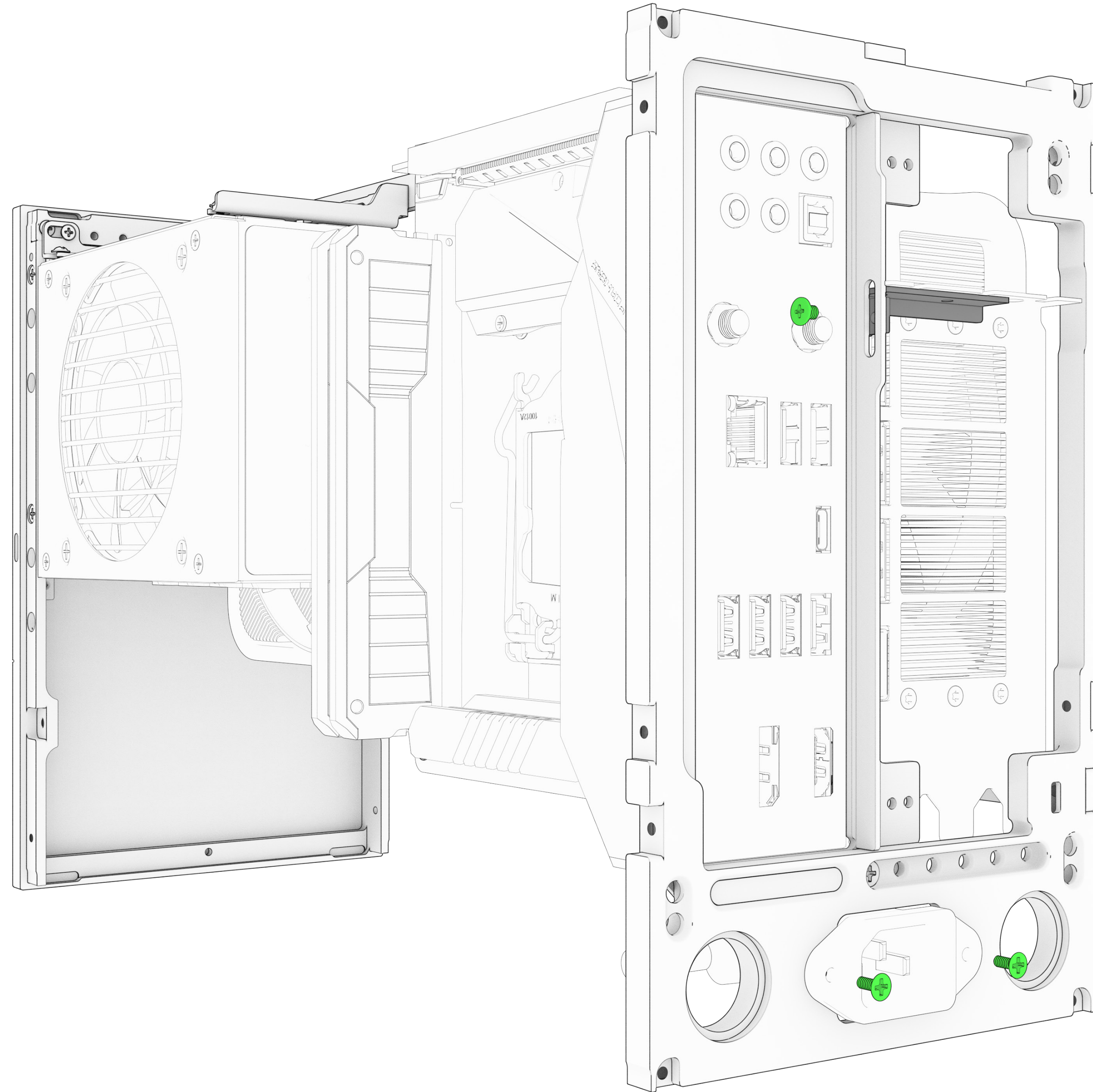
# FORMD T1

T1 V2.1

Fasteners:

M3-4 x 1

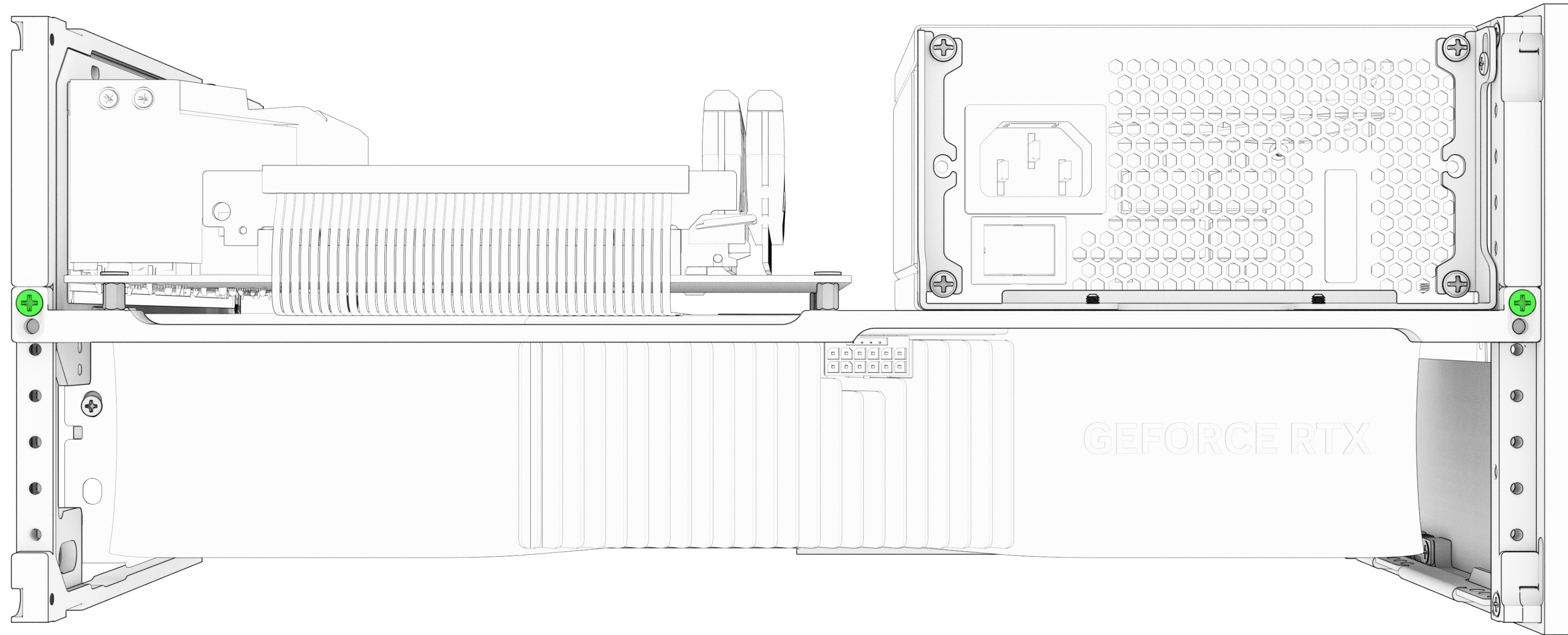
CSM3-8 x 2



# FORM D T1

T1 V2.1

Adjust the spacing between the Motherboard and GPU side to optimize for system cooling and compatibility.



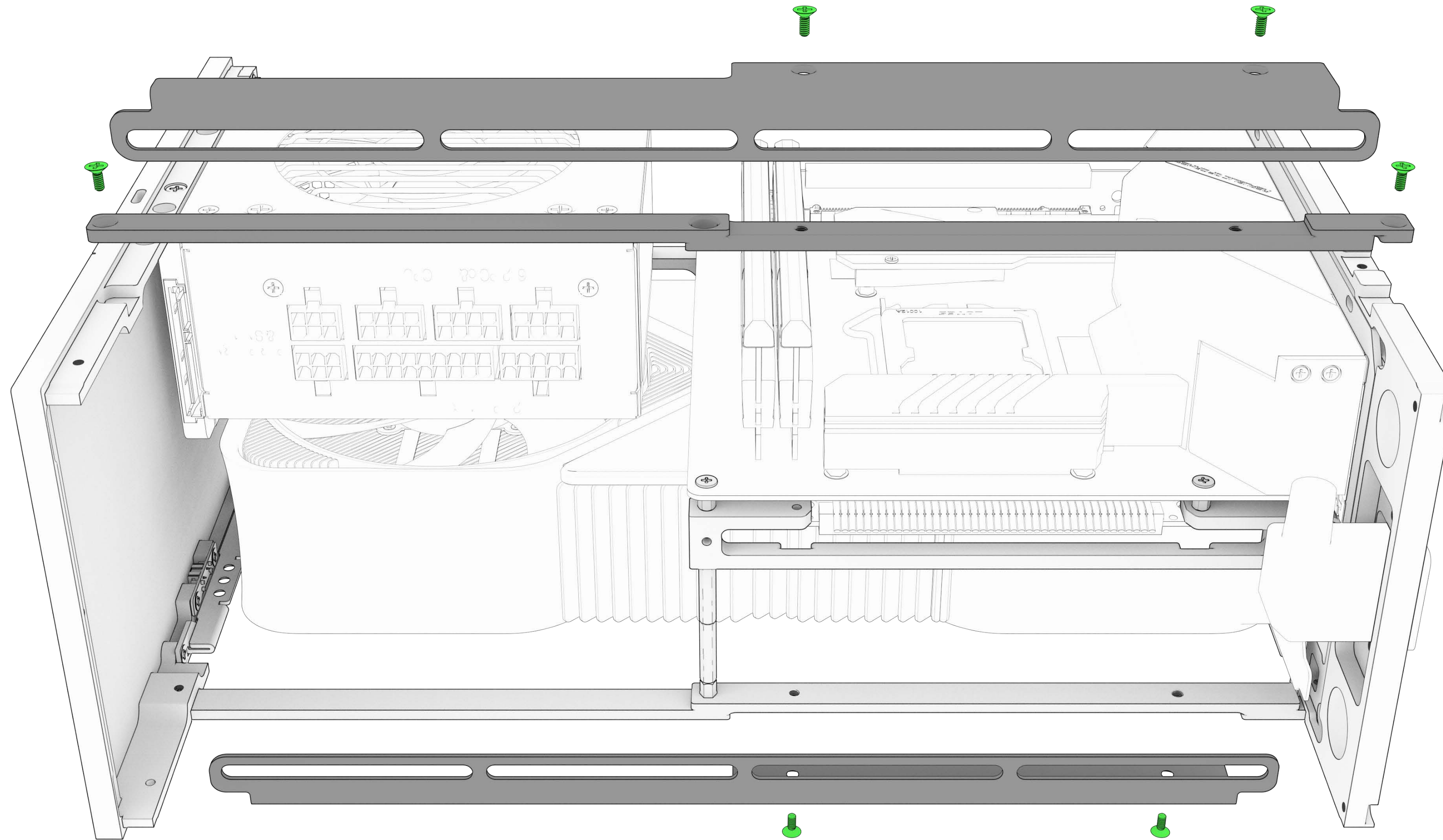
# FORM DT1

T1 V2.1

Fasteners:

CSM3-5 x 4

CSM3-8 x 2



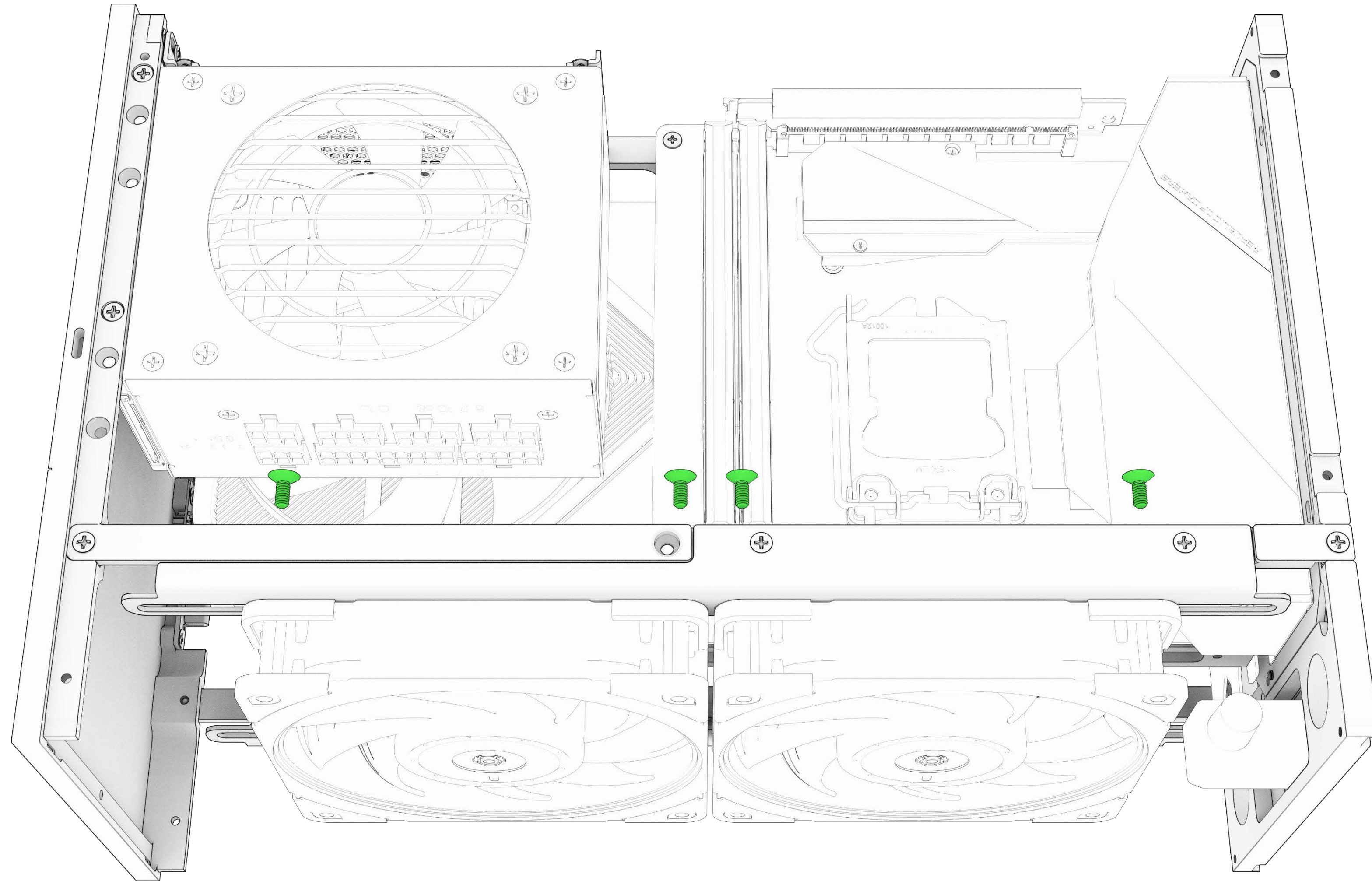
# FORM T1

T1 V2.1

Fasteners:

FAN M5 x 8

\* FAN M5 used for the fan installation is not included



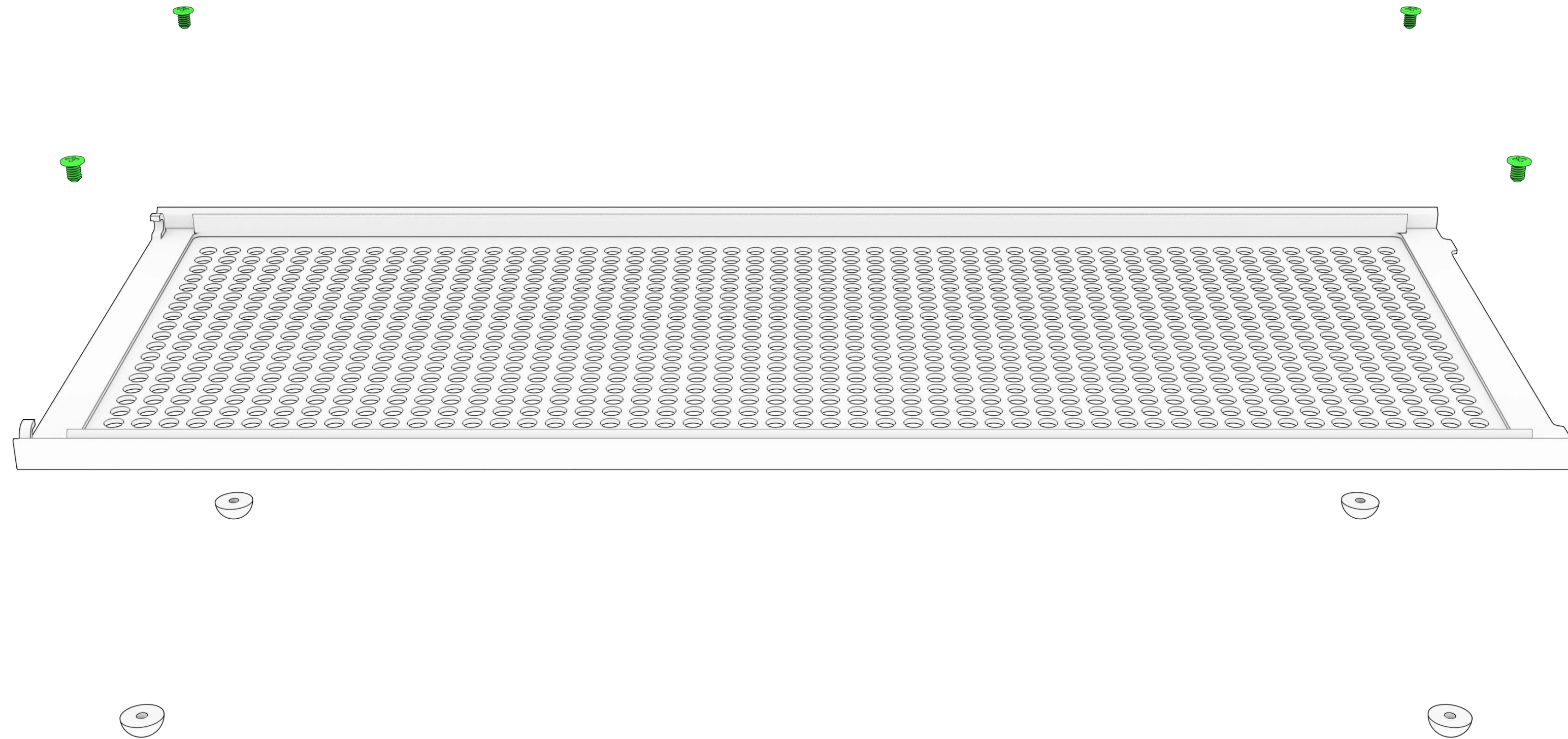


# FORM DT1

T1 V2.1

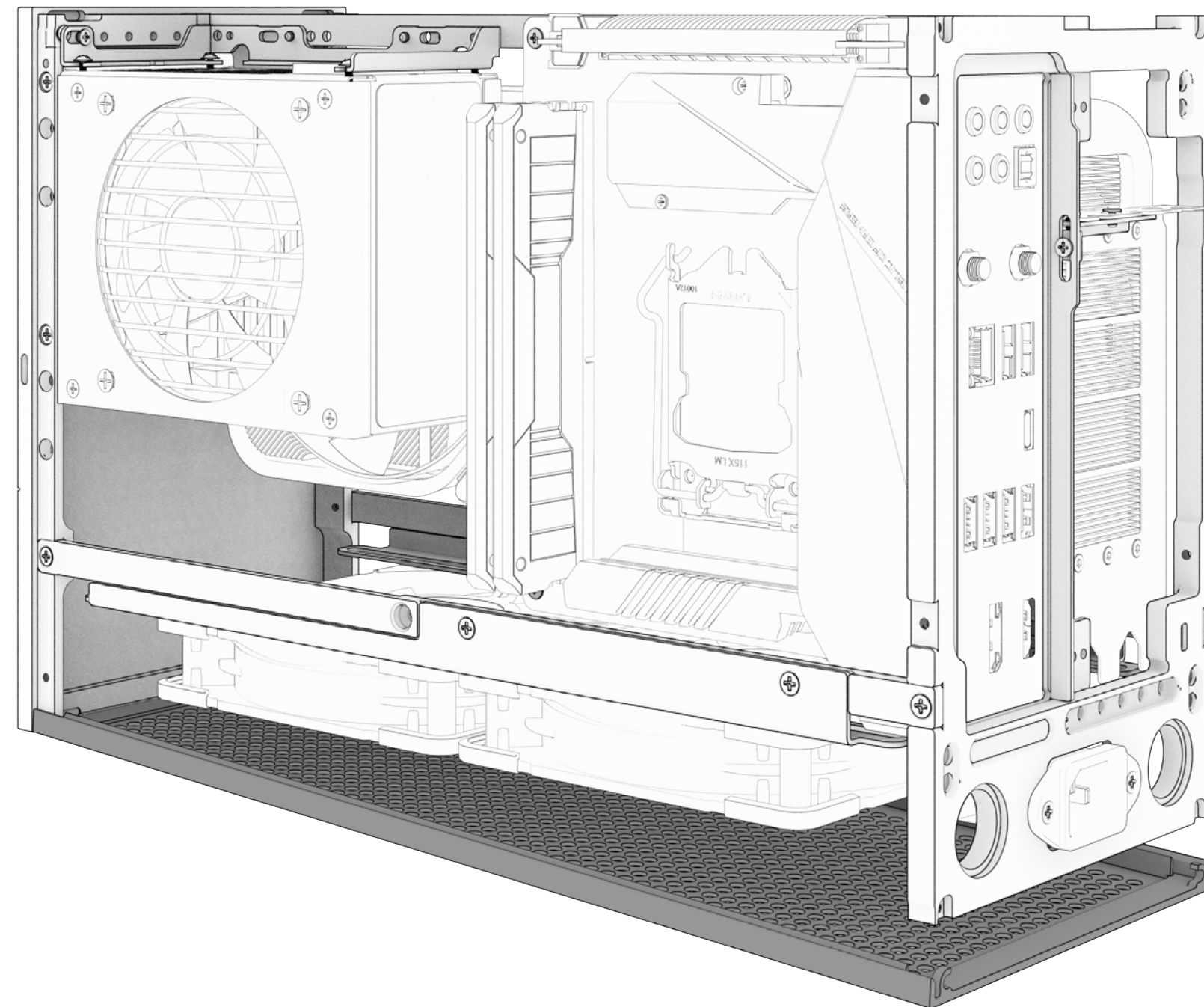
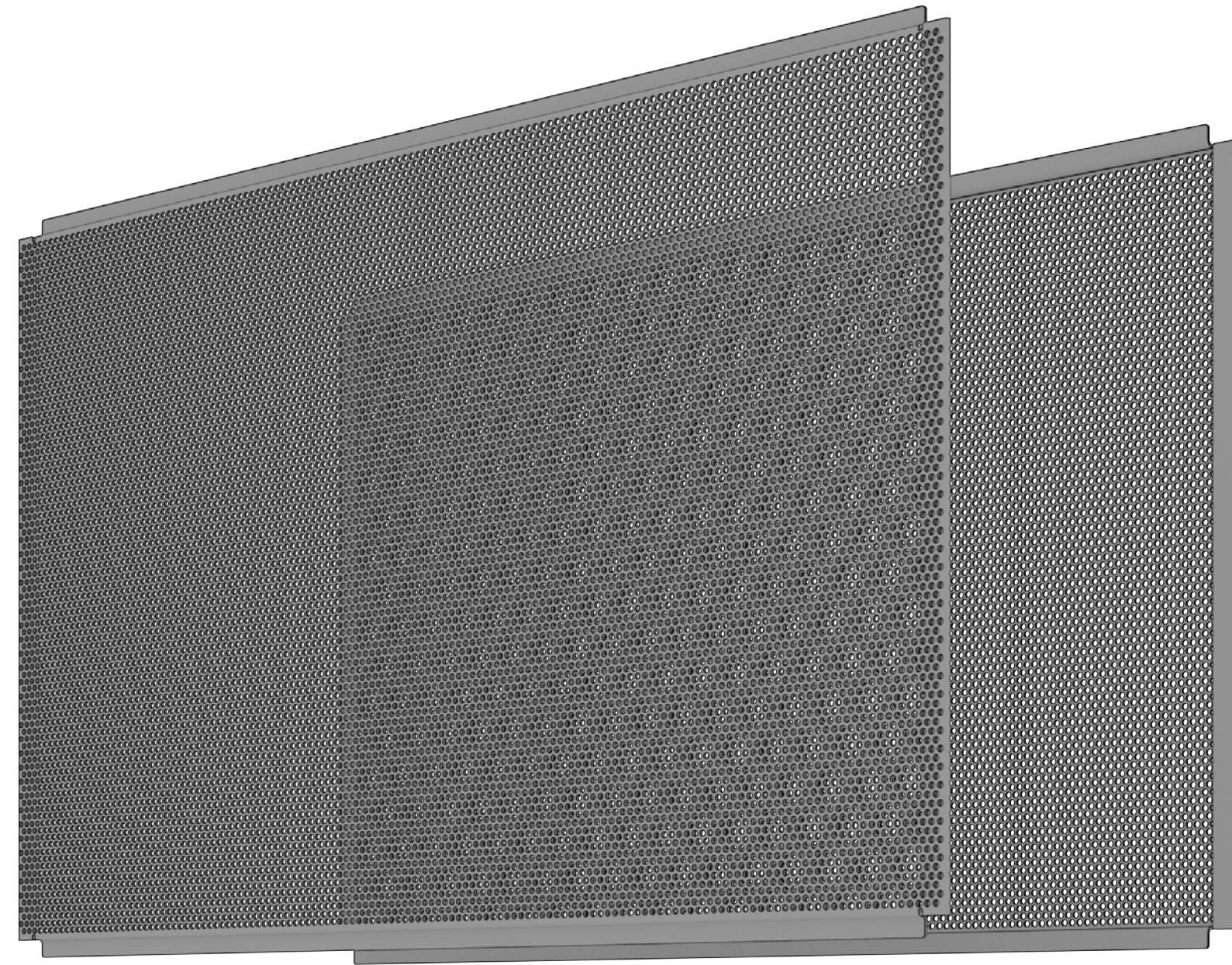
Fasteners:

CSM3-5 x 4



# FORMD T1

T1 V2.1

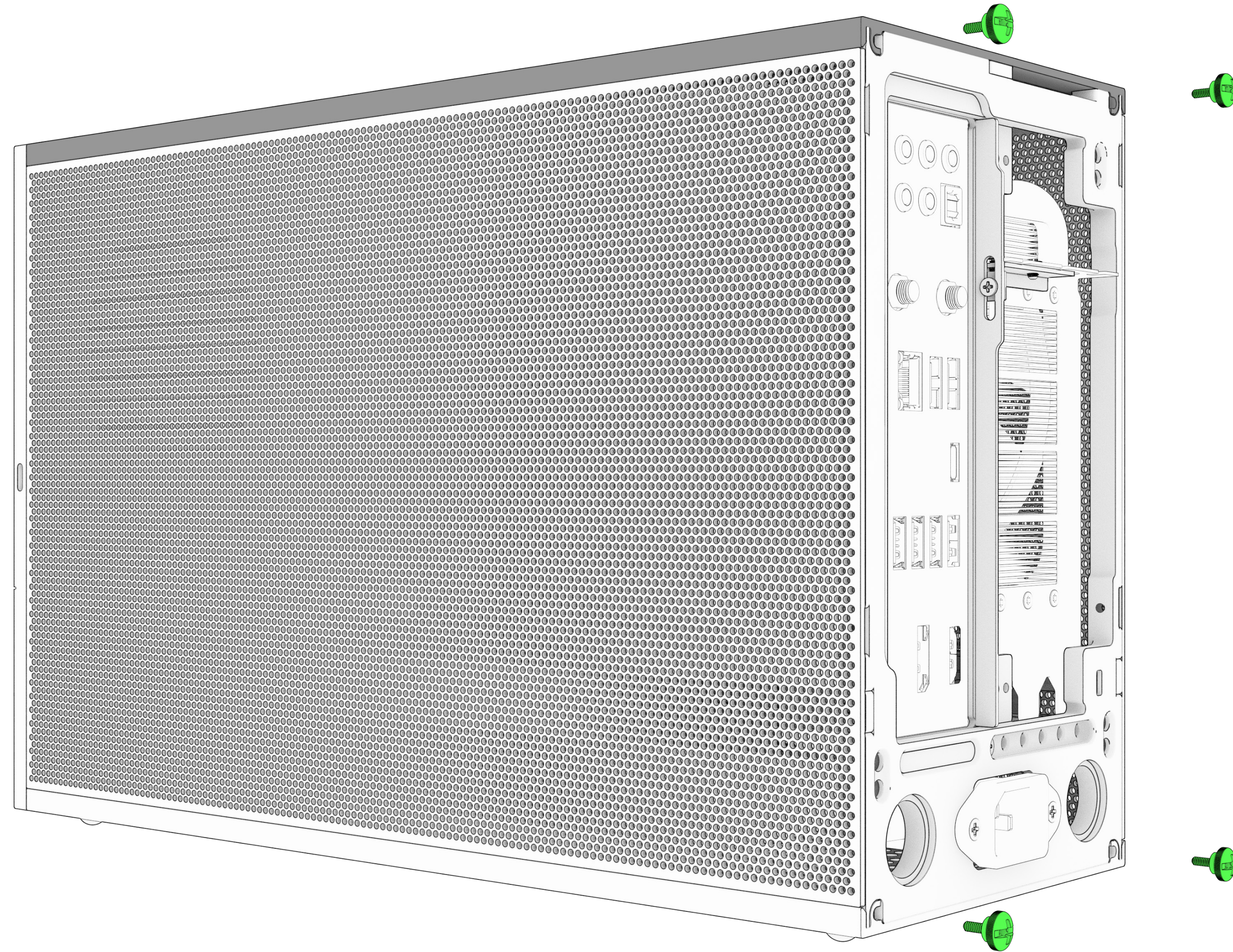


# FORMD T1

T1 V2.1

Fasteners:

THUMB-6 x4



Brought to you by the FORMD Team.