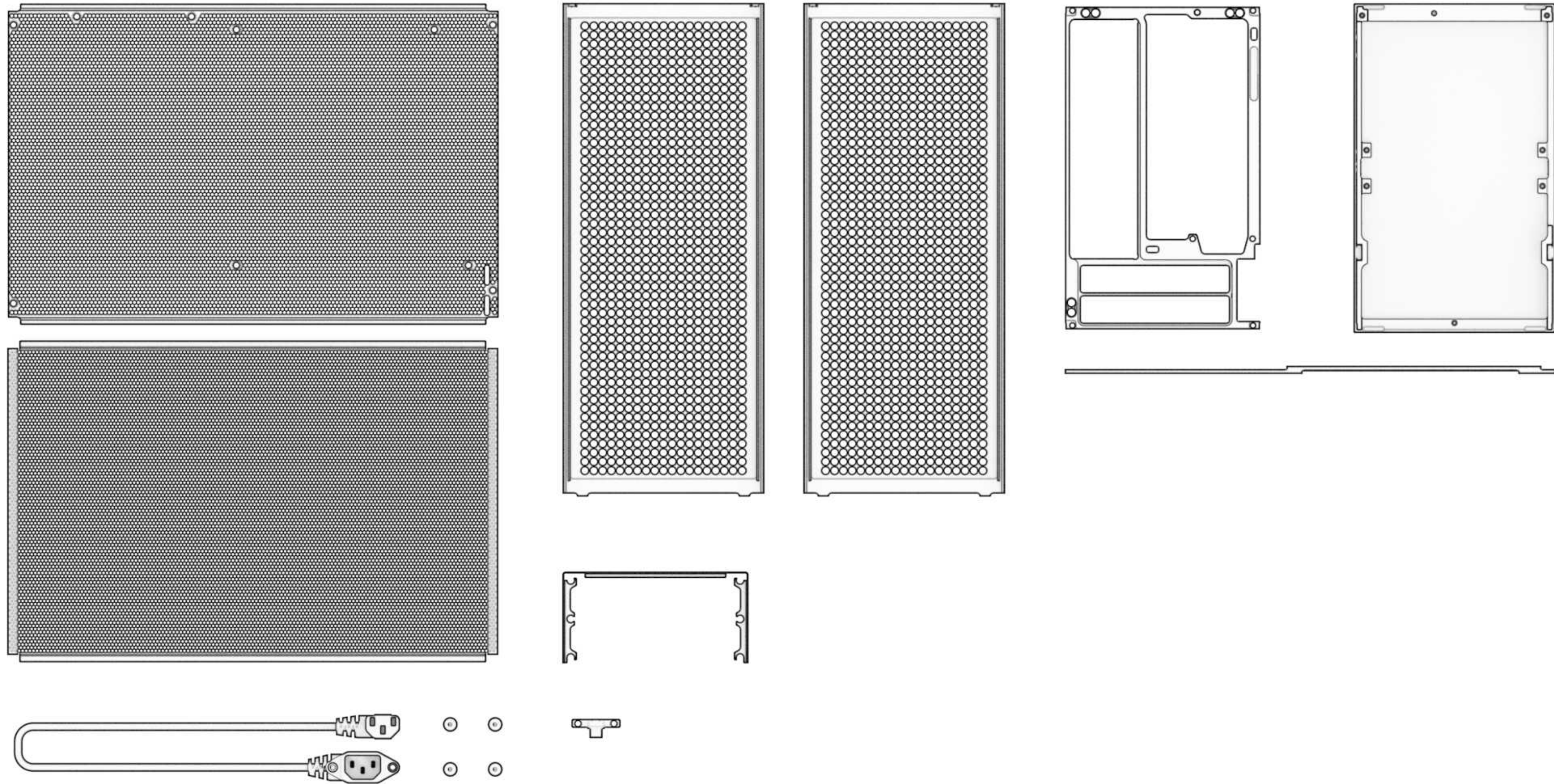


FORANO T1

Reference V2.0
Assembly Manual



CAUTION: do NOT overtighten the screws.

Once resistance is encountered, do not tighten more than one-quarter turn. Each fastener is different in length or head shape, and putting them to each other is an excellent way to identify them.

* The screw pack is intended for standard T1 (Sandwich).



**M3 Thumbscrew
(THUMB-6)**



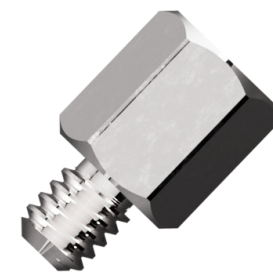
**M3 Flat Head Screw
(M3-4)**



**M3 Countersunk Screw
(CSM3-5)**



**M3 Countersunk Screw
(CSM3-8)**



**M3 Standoff
(STANDOFF-5)**

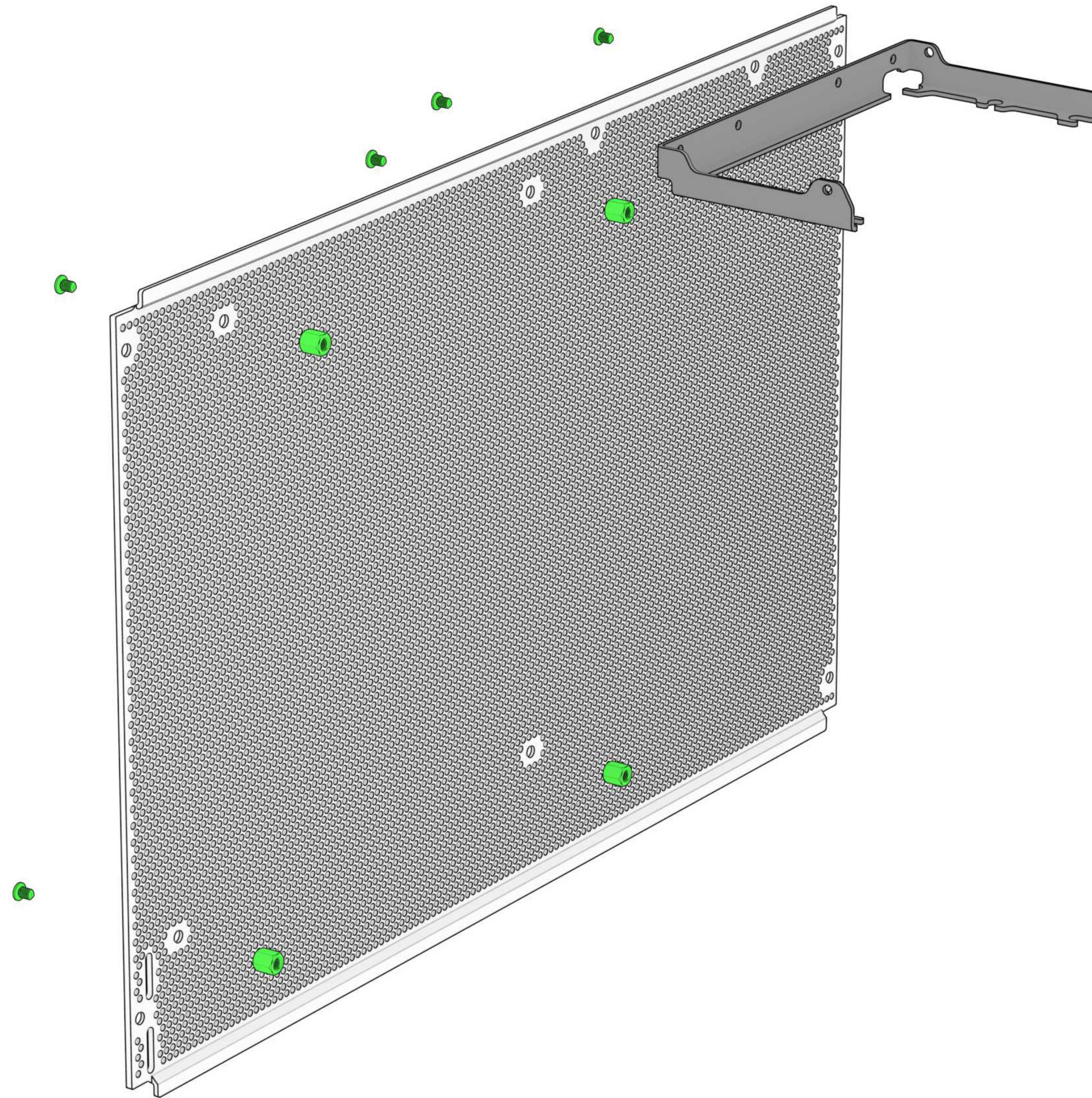


**M3 Female Standoff
(STANDOFF-F6, for motherboard only)**

Fasteners:

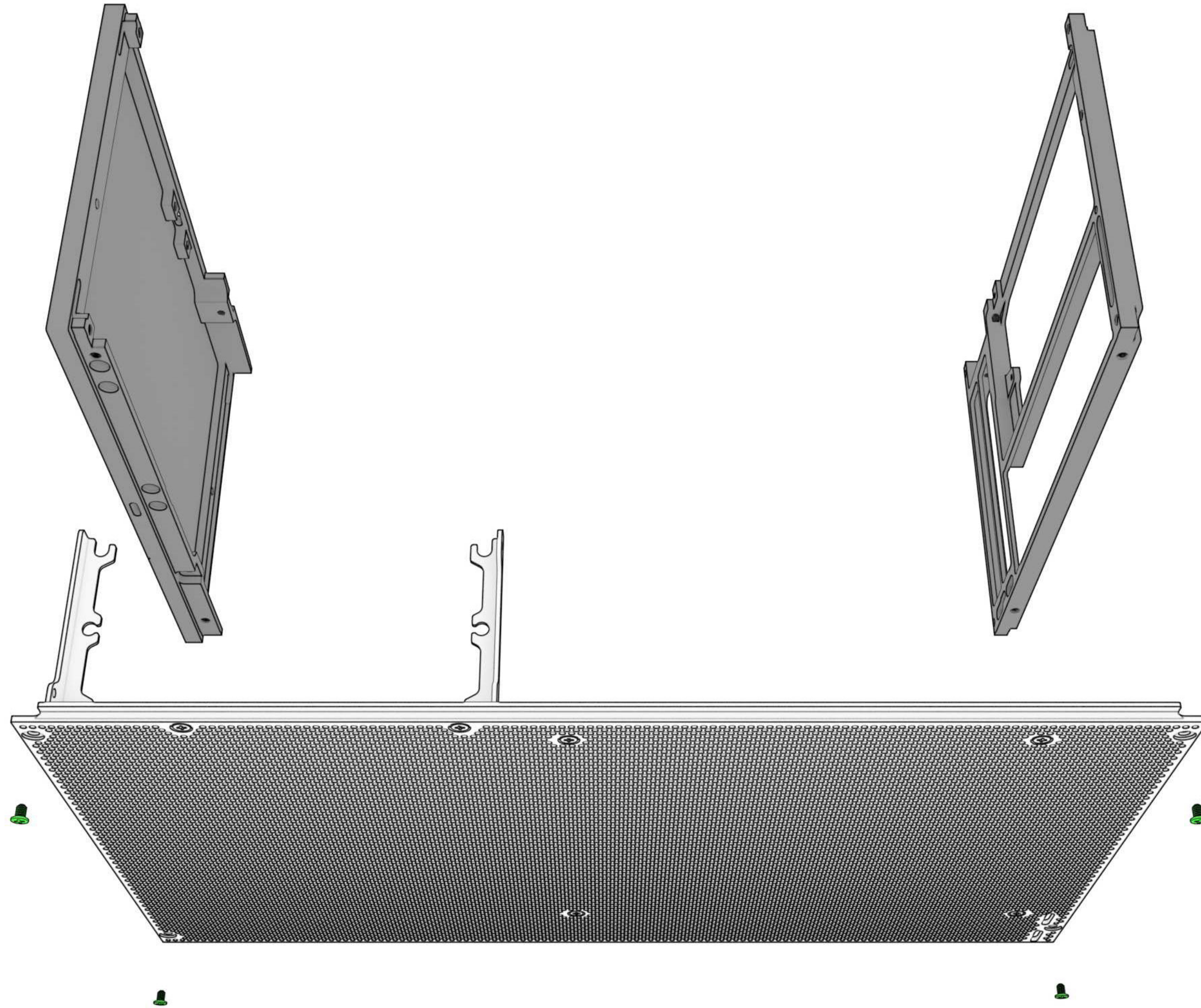
M3-4 x6

STANDOFF-F6 x4



Fasteners:

M3-4 x4



Fasteners:

CSM3-5 x2

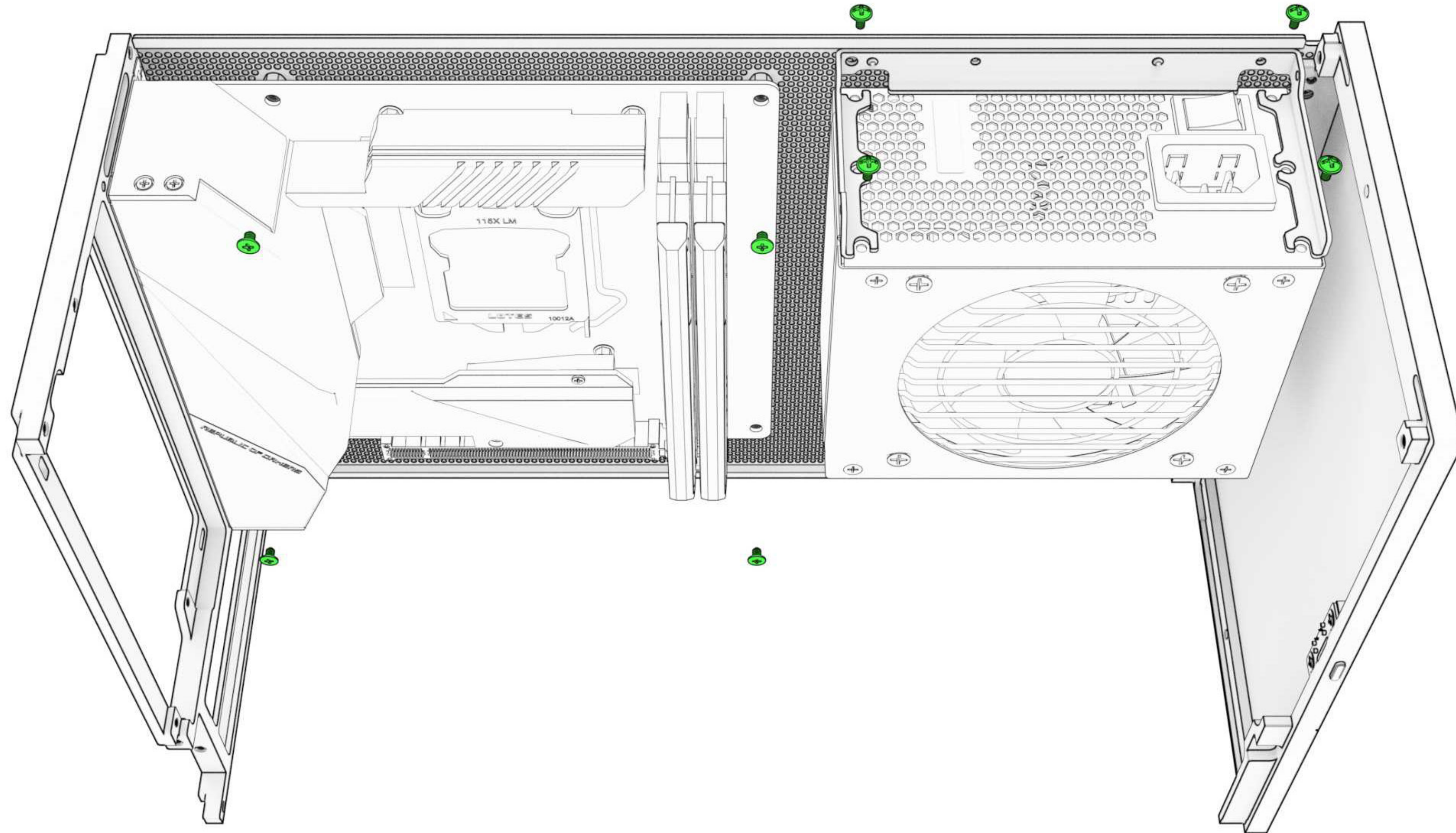


Fasteners:

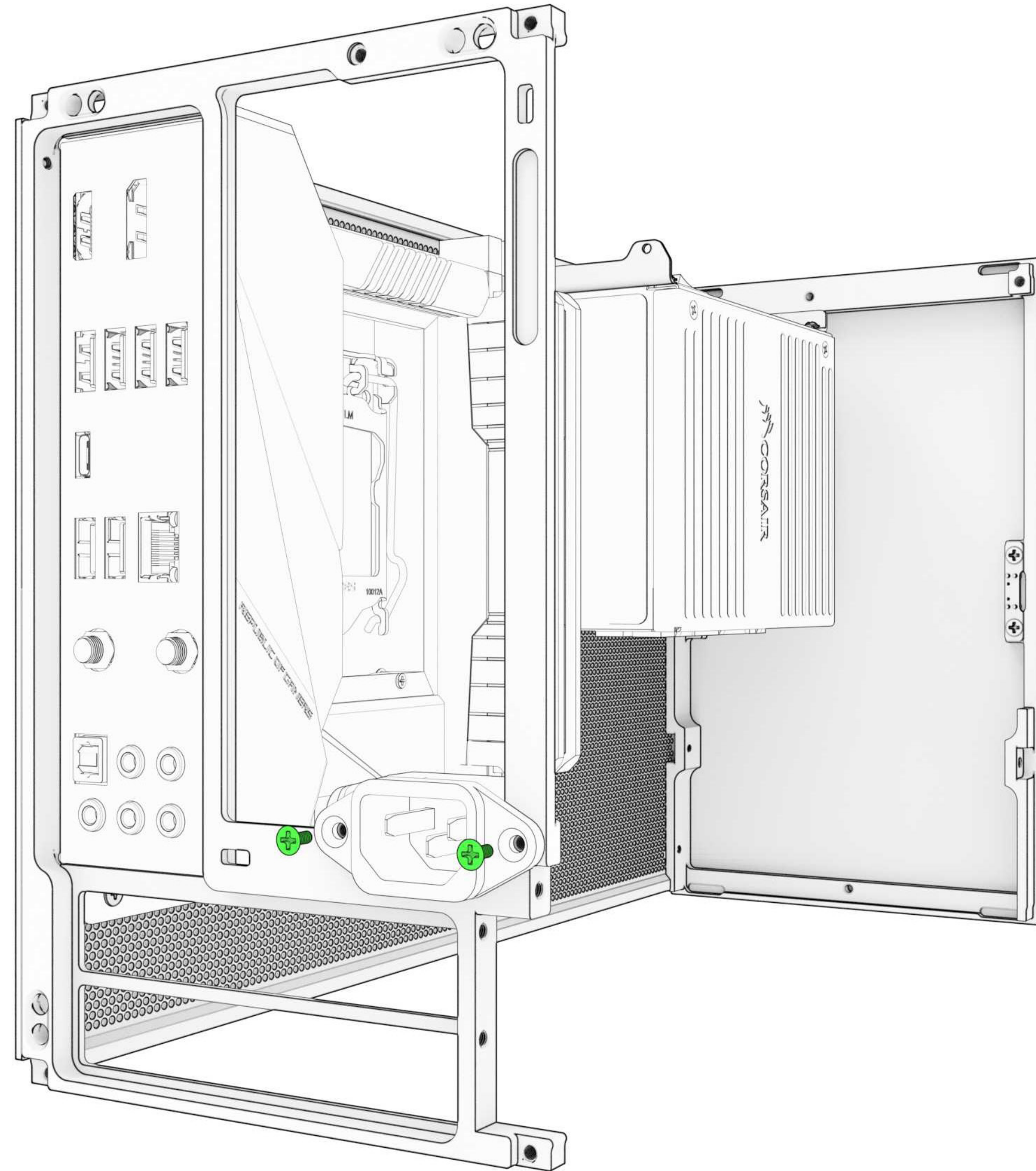
M3-4 x4

#6-32 x4

* #6-32 used for the power supply installation is not included

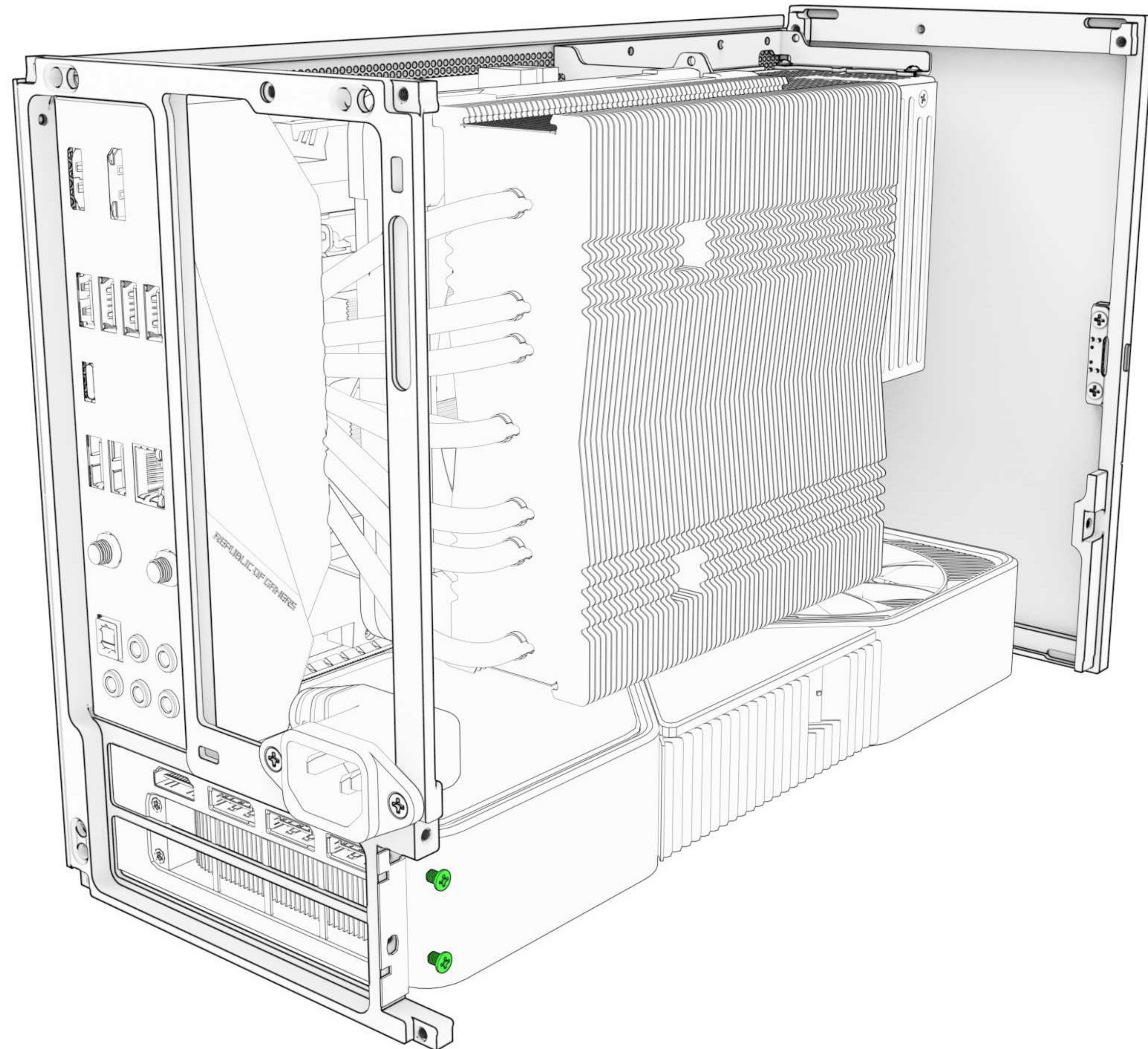


Fasteners:
CSM3-8 x2



Fasteners:

M3-4 x2

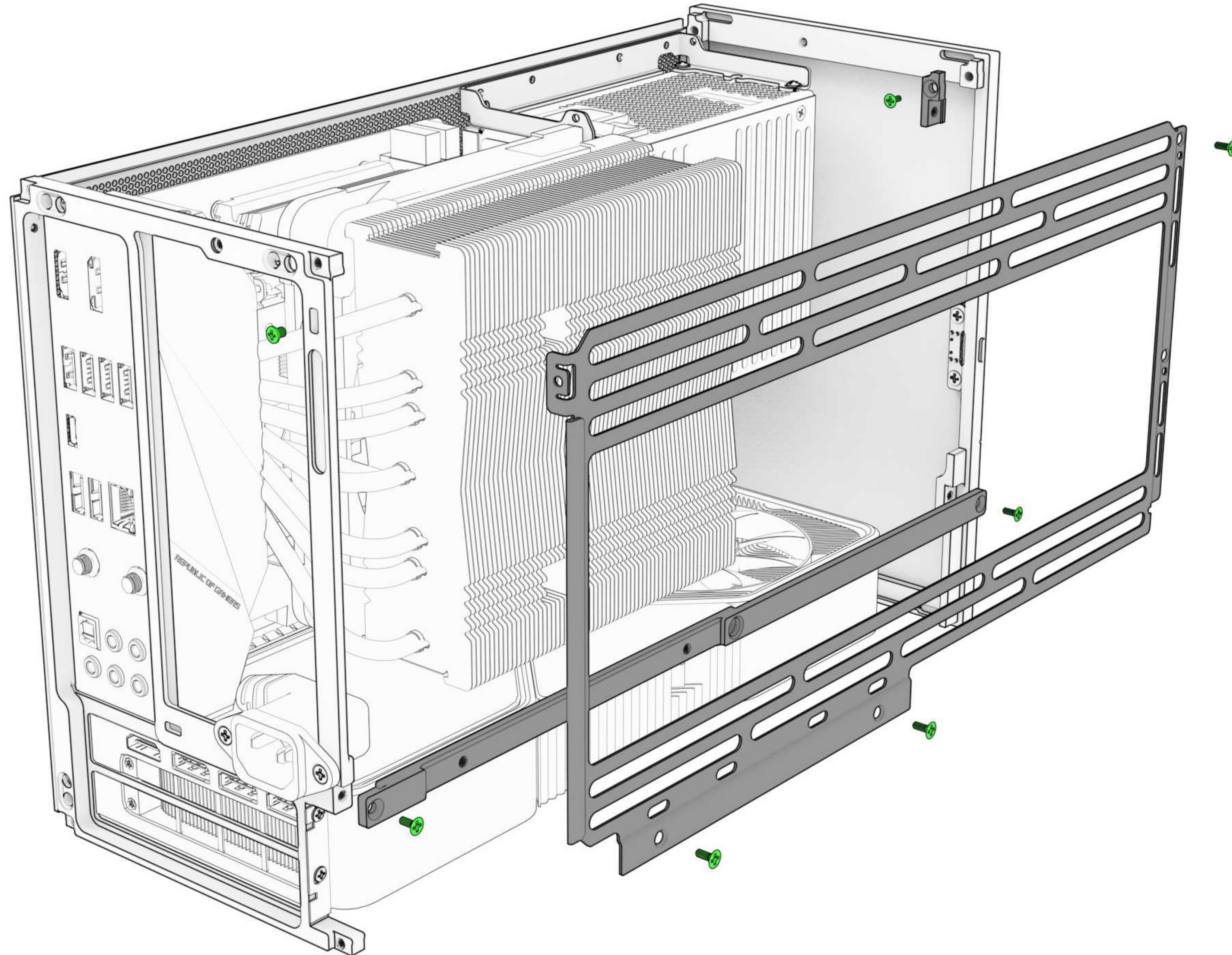


Fasteners:

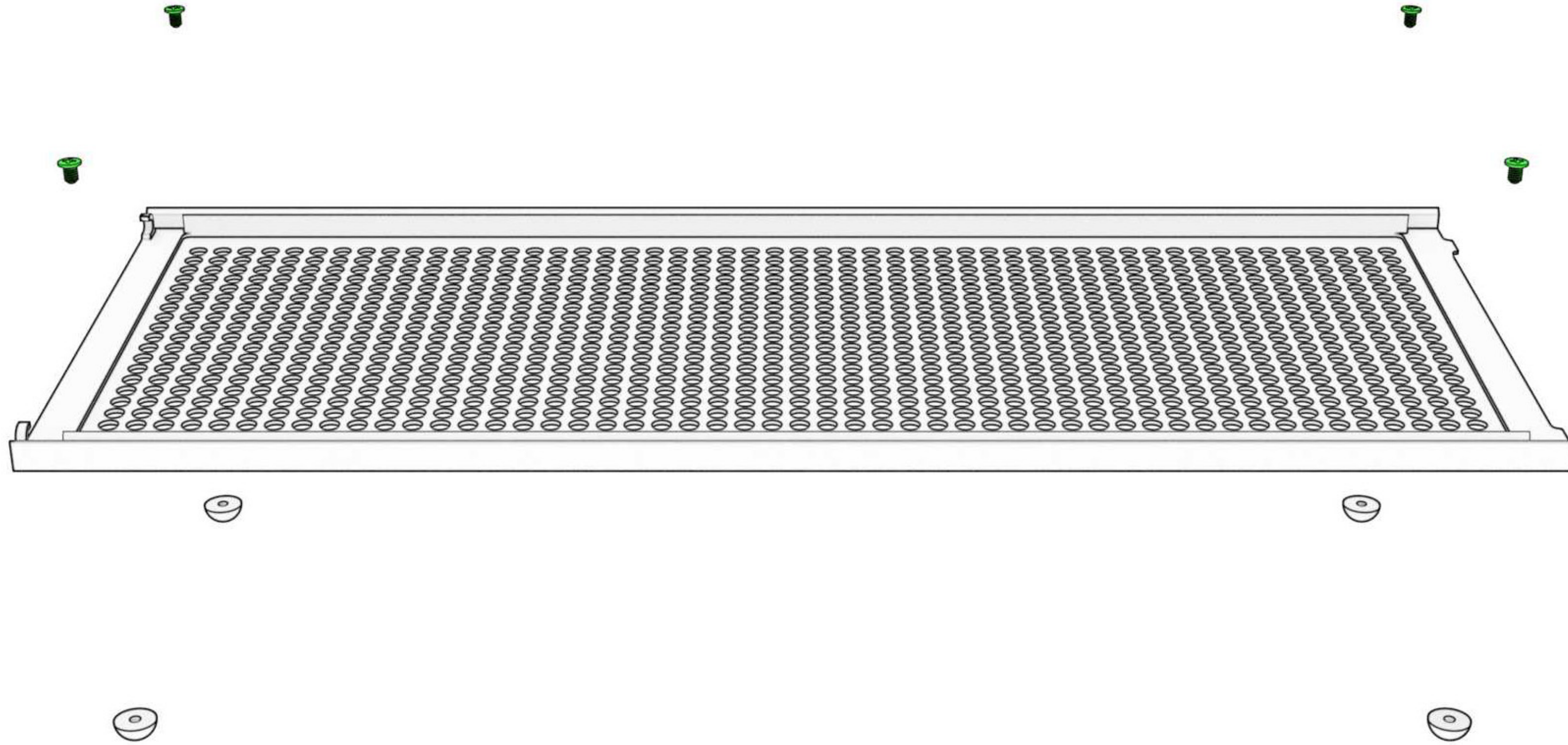
M3-4 x1

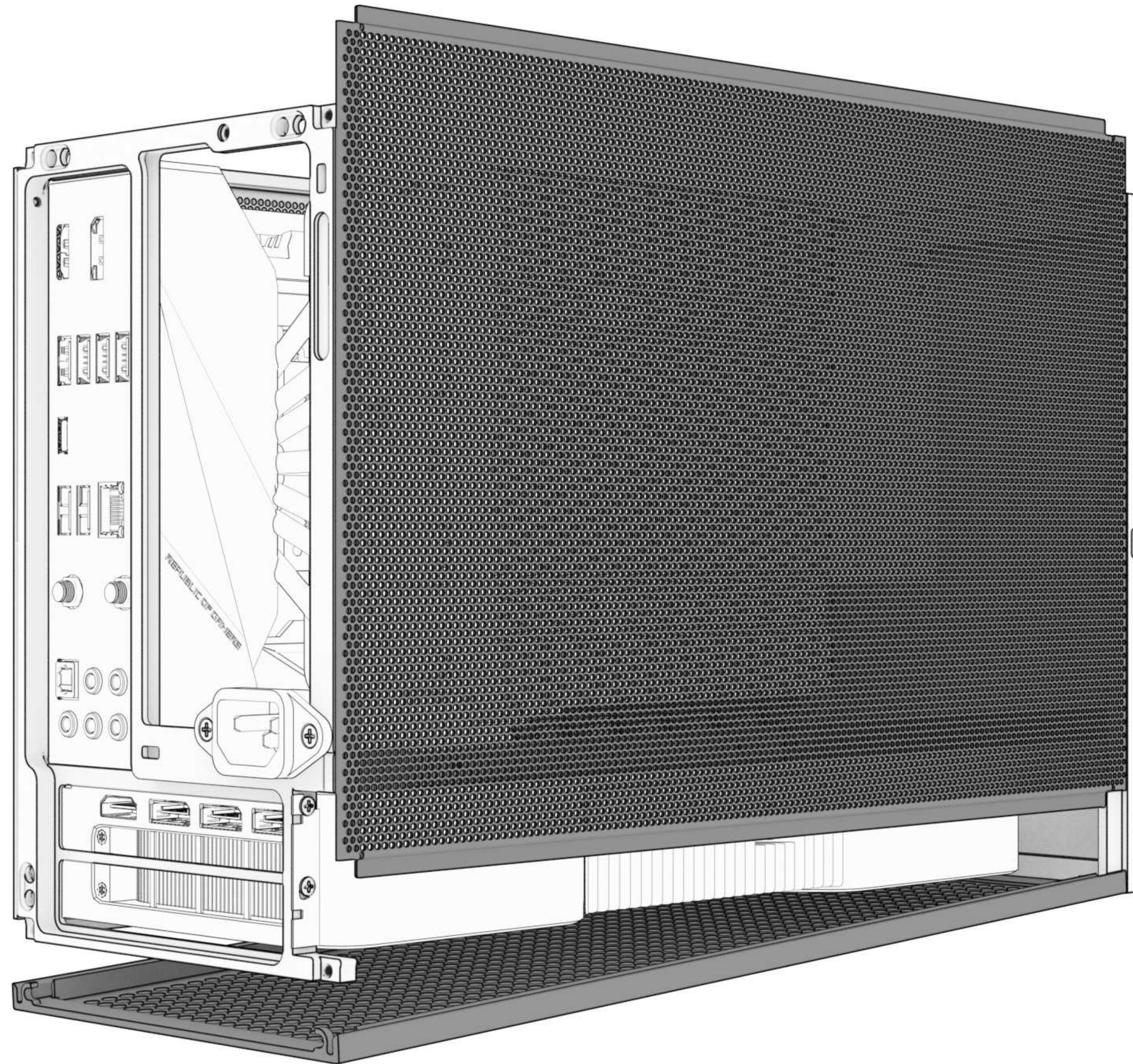
CSM3-5 x3

CSM3-8 x3

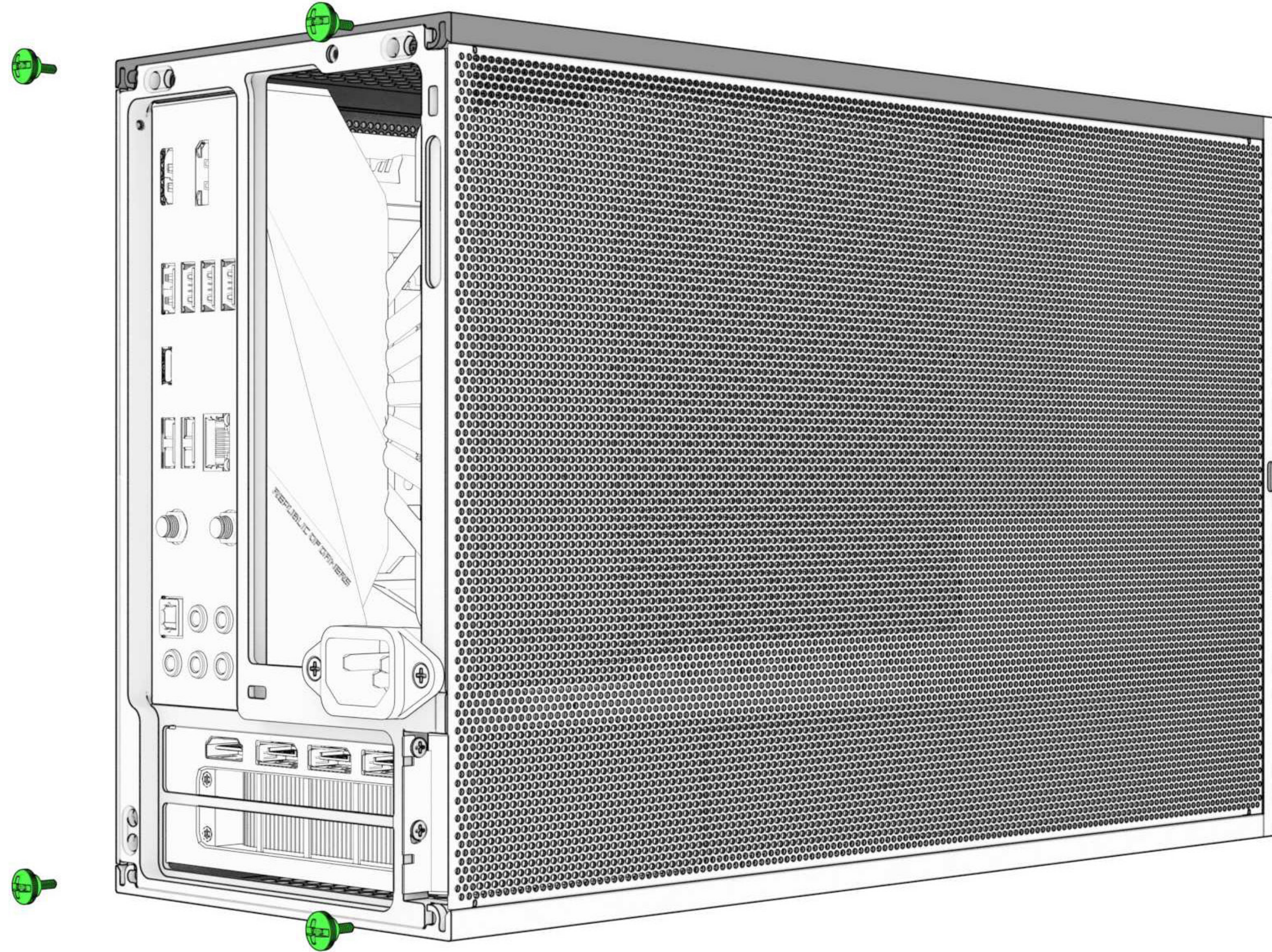


Fasteners:
CSM3-5 x4





Fasteners:
THUMB-6 x4



Brought to you by the FORMD Team.